

SPECIFICATION FOR APPROVAL



TO: _____

PART NO.		REV.		DELTA SAMPLE ISSUE NO	
PART NAME	EMI FILTER			DELTA MODEL	03EK3M
ORDER P/N.	03EK3M			SAMPLE ISSUE DATE	

1. ELECTRICAL CHARACTERISTICS:

- 1-1. VOLTAGE RATING 115/250VAC
- 1-2. CURRENT RATING
 - A. AT 115VAC 3 A RMS Max.
 - B. AT 250VAC 3 A RMS Max.
- 1-3. OPERATING FREQUENCY..... 50/60 Hz
- 1-4. LEAKAGE CURRENT: EACH LINE TO GROUND
 - A. @115VAC 60Hz 2.0 uA Max.
 - B. @250VAC 50Hz 5.0 uA Max.
- 1-5. HIPOT RATING (FOR ONE MINUTE)
 - A. LINE TO GROUND 2250VDC
 - B. LINE TO LINE 1450VDC
- 1-6. TEMPERATURE RANGE: -25 TO +100 DEGREE C
- 1-7. MINIMUM INSERTION LOSS IN dB: (AT 50 OHM SYSTEM)

FREQ. MHz	.01	.05	.10	.15	.50	1.0	5.0	10	30
COM. MODE dB	/	22	27	32	42	36	22	18	6
DIF. MODE dB	/	4	4	18	48	55	55	55	35

1-8. SAFETY

REPORT BY	CHECKED BY	APPROVED BY		
			REV.	

SPECIFICATION FOR APPROVAL

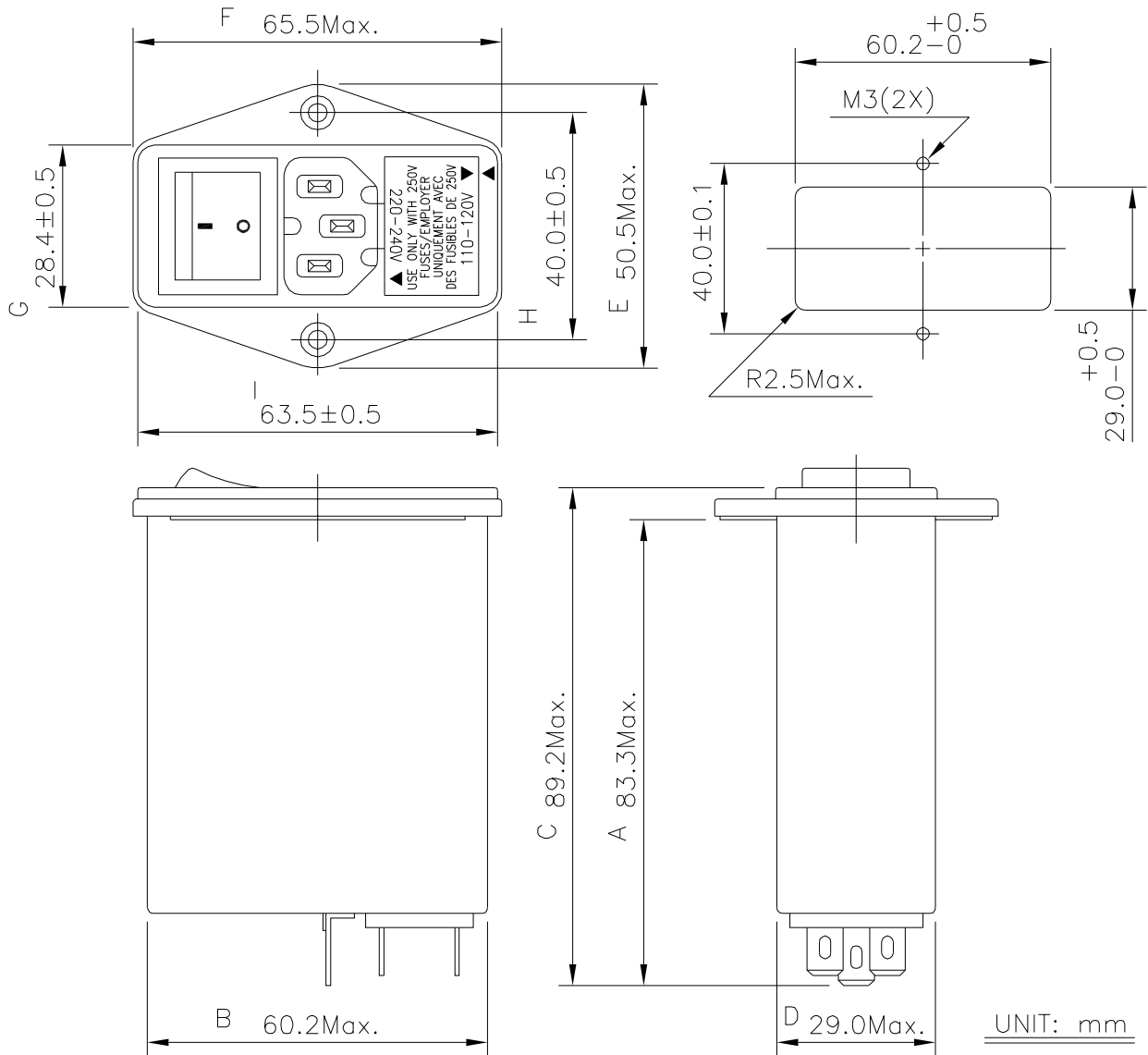


TO: _____

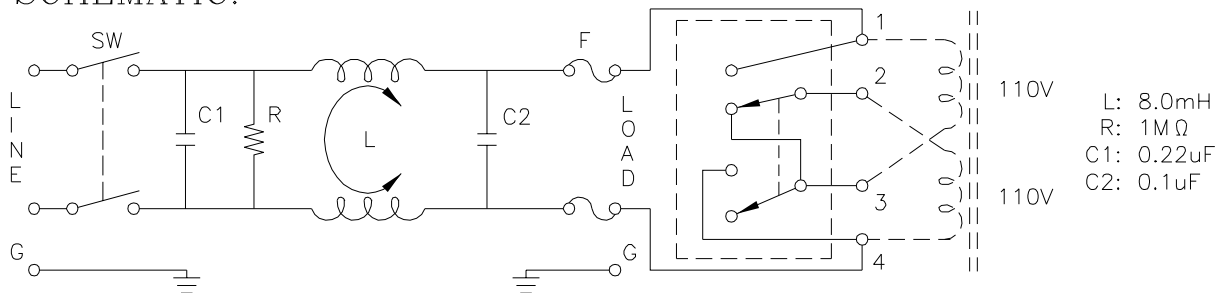
PART NO.		REV.		DELTA SAMPLE ISSUE NO	
PART NAME	EMI FILTER			DELTA MODEL	03EK3M
ORDER P/N.	03EK3M			SAMPLE ISSUE DATE	

2. PHYSICAL DIMENSIONS:

SUGGESTED MOUNTING CUTOUT



3. SCHEMATIC:



REPORT BY	CHECKED BY	APPROVED BY	UNLESS OTHERWISE SPECIFIED DIMENSION TOLERANCE		
			DCEIMALS	.X±	.XX±
					ANGLES±
			REV.		