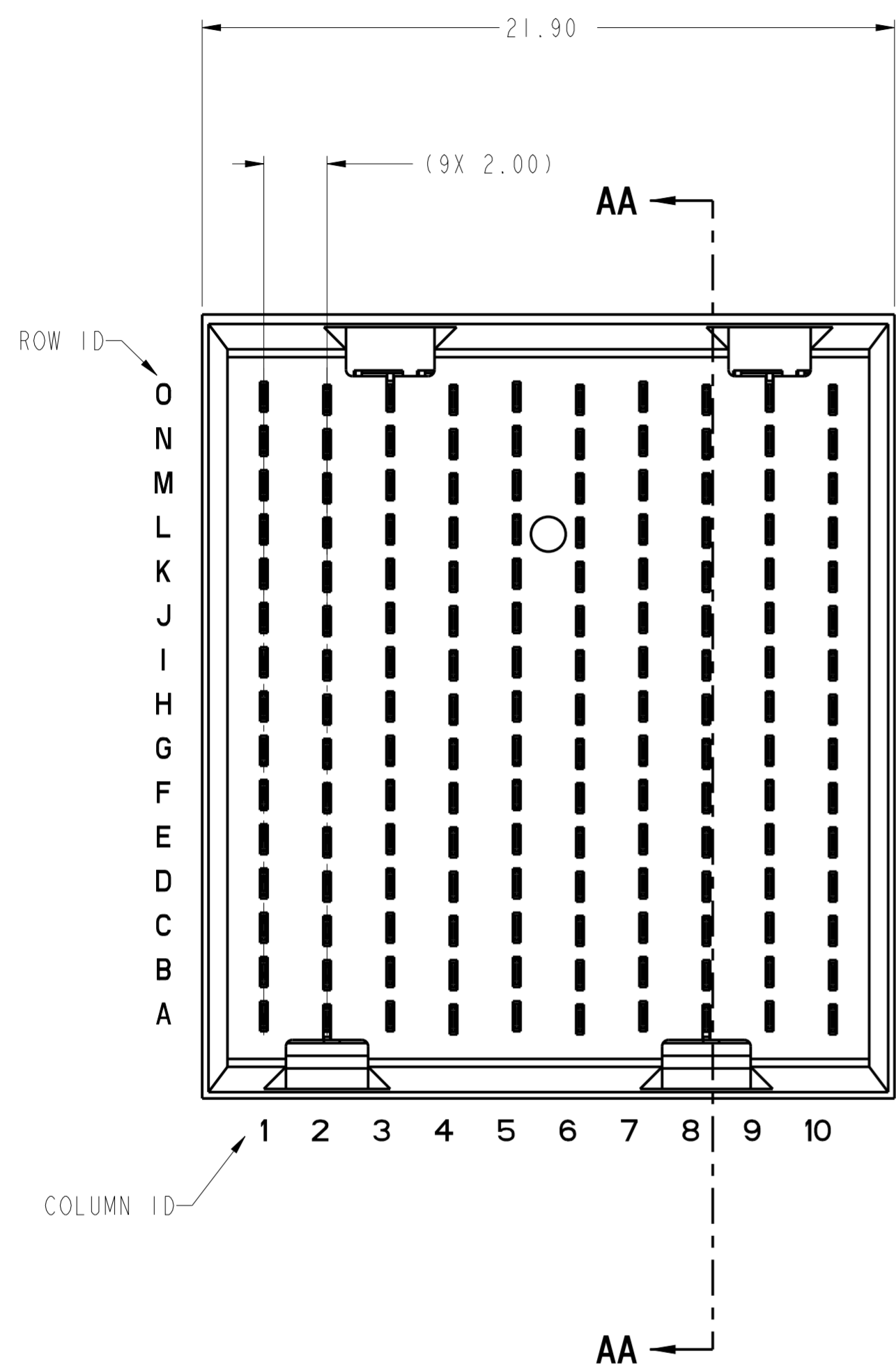
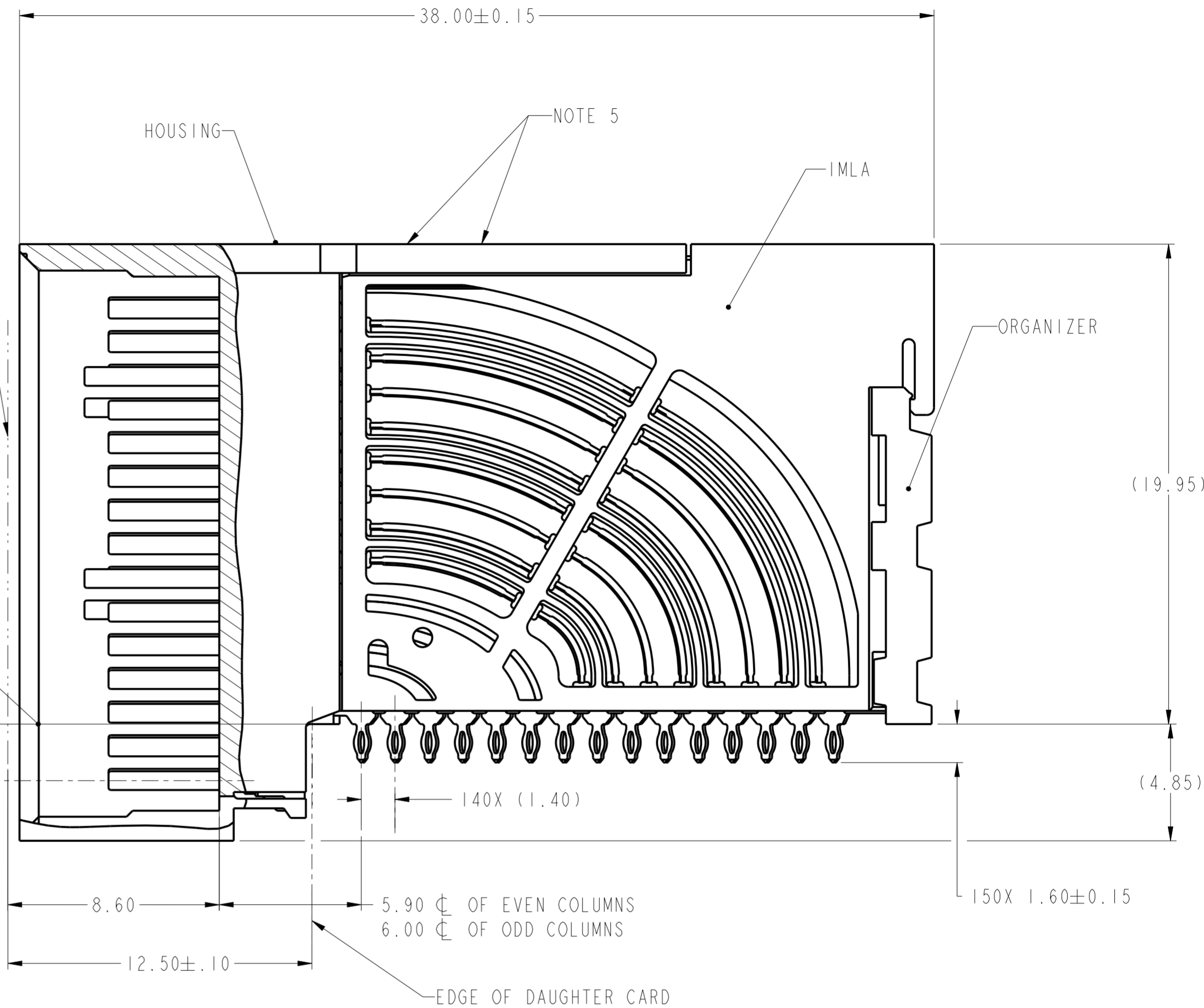


PRODUCT NUMBER
SEE SHEET 3



2.35 ϕ OF EVEN COLUMNS
2.25 ϕ OF ODD COLUMNS

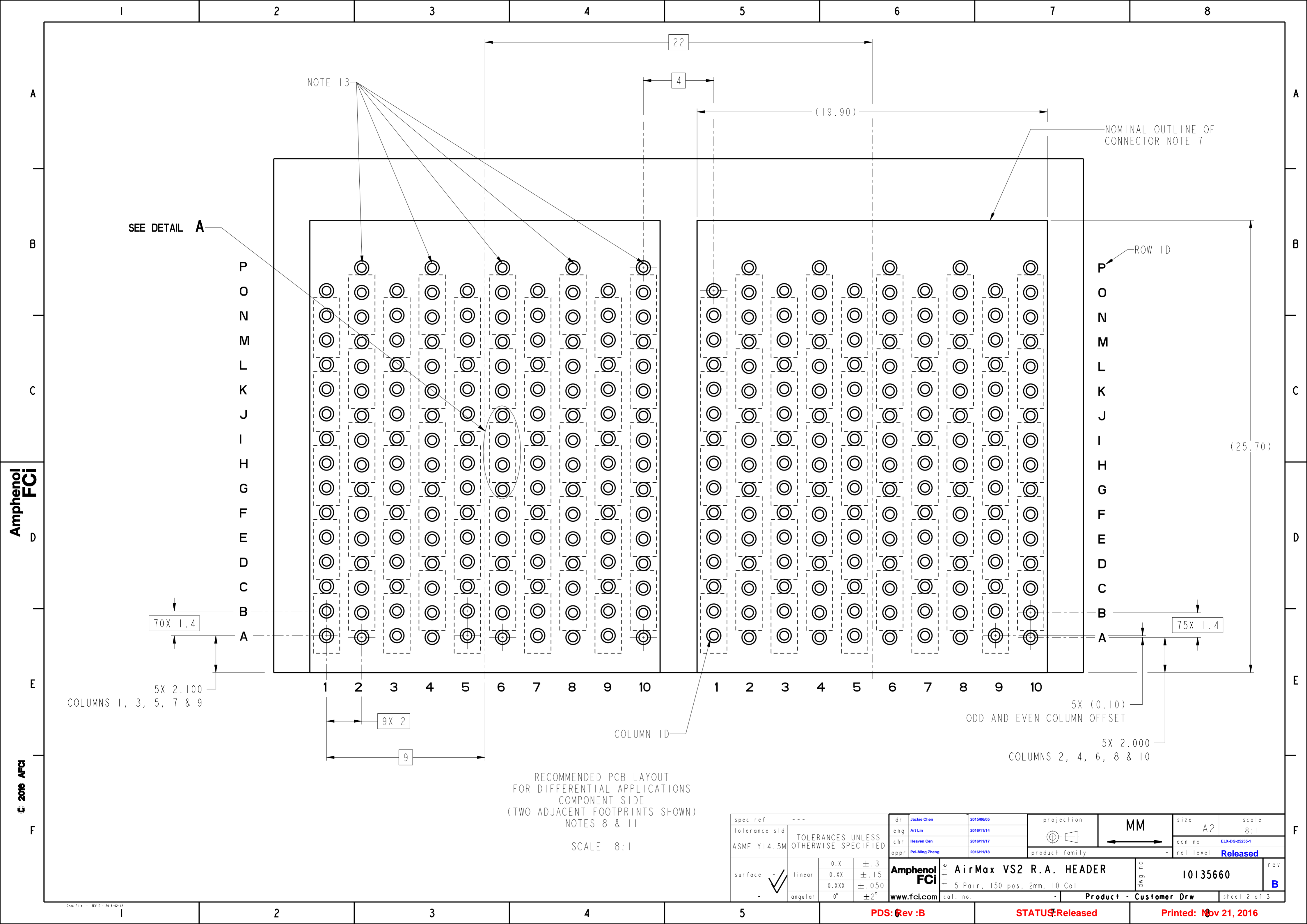


SECTION AA-AA

spec ref	---	dr	Jackie Chen	2015/06/05	projection	MM	size	A2	scale	10:1								
tolerance std	ASME Y14.5M	eng	Art Lin	2016/11/14			ecn no	ELX-DG-2525-1										
TOLERANCES UNLESS OTHERWISE SPECIFIED		chr	Heaven Cen	2016/11/17			rel level	Released										
		appr	Pai-Ming Zheng	2016/11/18			product family											
surface	<table border="1"> <tr> <td>linear</td> <td>0.X</td> <td>±.3</td> </tr> <tr> <td></td> <td>0.XX</td> <td>±.15</td> </tr> <tr> <td></td> <td>0.XXX</td> <td>±.050</td> </tr> <tr> <td>angular</td> <td>0°</td> <td>±2°</td> </tr> </table>	linear	0.X	±.3		0.XX	±.15		0.XXX	±.050	angular	0°	±2°		Amphenol FCI www.fci.com	Product - Customer Draw title: AirMax VS2 R.A. HEADER 5 Pair, 150 pos, 2mm, 10 Col cat. no.	dwg no: 10135660 rev: B	sheet 1 of 3
linear	0.X	±.3																
	0.XX	±.15																
	0.XXX	±.050																
angular	0°	±2°																

Amphenol FCI

© 2016 APCI



NOTE 13

SEE DETAIL A

NOMINAL OUTLINE OF CONNECTOR NOTE 7

ROW ID

COLUMN ID

70X 1.4

75X 1.4

5X 2.100
COLUMNS 1, 3, 5, 7 & 9

5X (0.10)
ODD AND EVEN COLUMN OFFSET

5X 2.000
COLUMNS 2, 4, 6, 8 & 10

9X 2

9

RECOMMENDED PCB LAYOUT
FOR DIFFERENTIAL APPLICATIONS
COMPONENT SIDE
(TWO ADJACENT FOOTPRINTS SHOWN)
NOTES 8 & 11

SCALE 8:1

spec ref	---	dr	Jackie Chen	2015/06/05	projection	MM	size	A2	scale	8:1										
tolerance std	ASME Y14.5M	eng	Art Lin	2016/11/14			ecn no	ELX-DG-2525-1												
TOLERANCES UNLESS OTHERWISE SPECIFIED		chr	Heaven Cen	2016/11/17			rel level	Released												
surface	<table border="1"> <tr> <td>linear</td> <td>0.X</td> <td>±.3</td> </tr> <tr> <td></td> <td>0.XX</td> <td>±.15</td> </tr> <tr> <td></td> <td>0.XXX</td> <td>±.050</td> </tr> <tr> <td>angular</td> <td>0°</td> <td>±2°</td> </tr> </table>	linear	0.X	±.3		0.XX	±.15		0.XXX	±.050	angular	0°	±2°	appr	Pai-Ming Zheng	2016/11/18	product family			
linear	0.X	±.3																		
	0.XX	±.15																		
	0.XXX	±.050																		
angular	0°	±2°																		
				AirMax VS2 R.A. HEADER 5 Pair, 150 pos, 2mm, 10 Col		cat. no.	Product - Customer Drw		sheet 2 of 3											

PDS: Rev :B

STATUS:Released

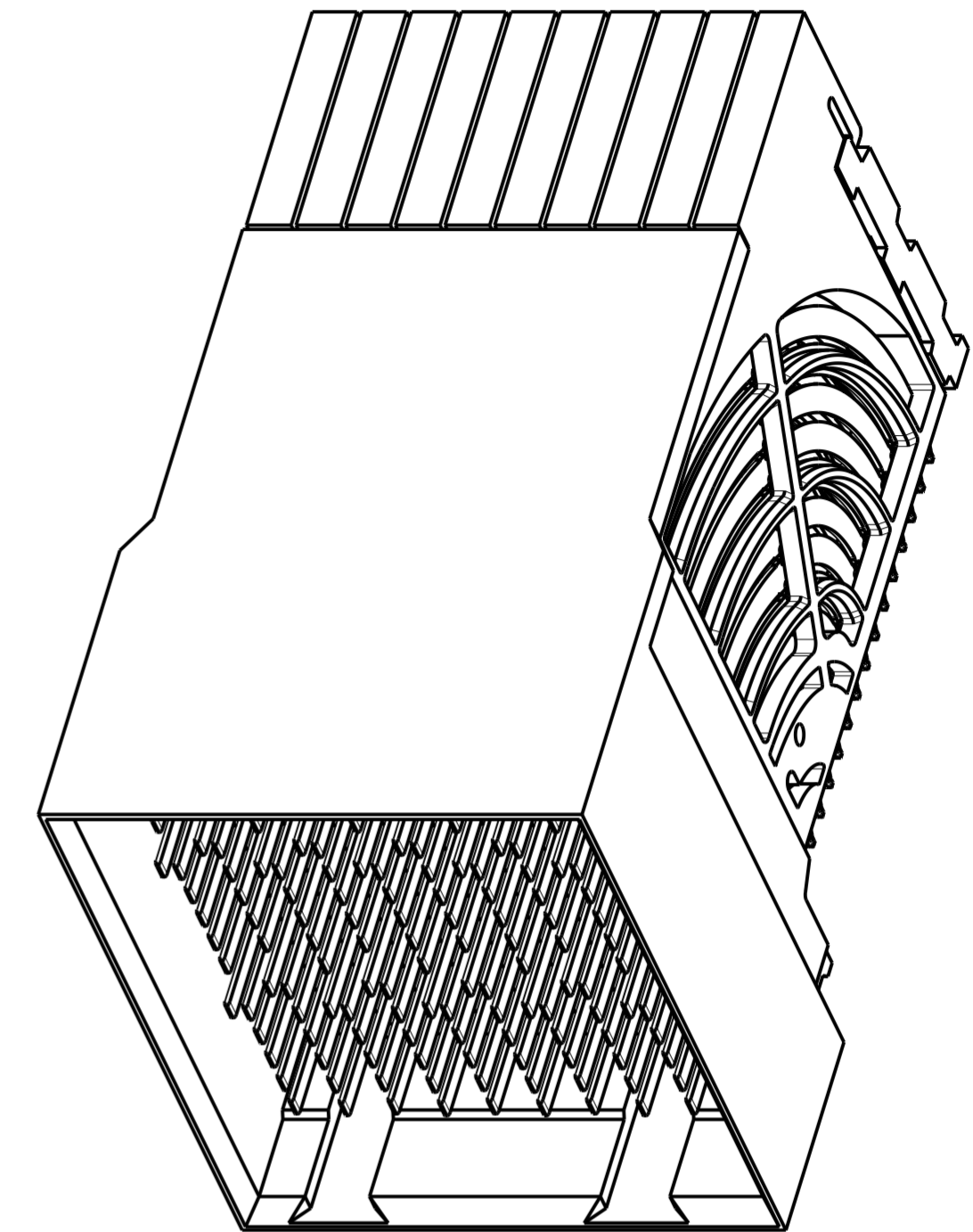
Printed: Nov 21, 2016

Amphenol FCI

© 2016 APCI

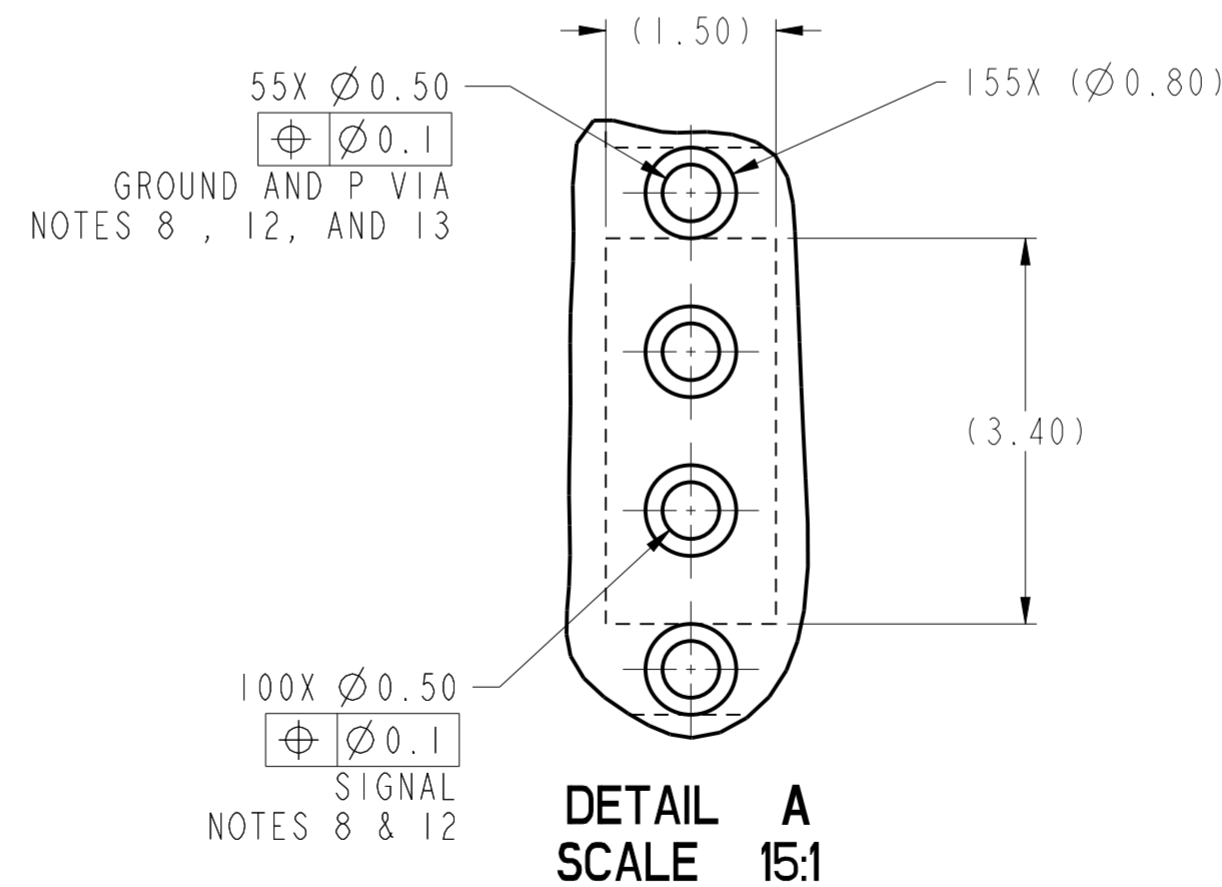
PRODUCT NUMBER	PRESS-FIT TAIL PLATING TYPE	REMARK
10135660-101LF	TIN OVER NICKEL (LEAD FREE)	ONE SIDE PLATING (CUSTOMER SPECIAL)
10135660-102LF	TIN OVER NICKEL (LEAD FREE)	BOTH SIDE PLATING

- 1 - CONNECTOR MATERIALS:
HOUSING: HIGH TEMP THERMOPLASTIC, NATURAL, UL94-V0
IMLA PLASTIC: HIGH TEMP THERMOPLASTIC, BLACK, UL94-V0
CONTACT: COPPER ALLOY
ORGANIZER: HIGH TEMP THERMOPLASTIC, NATURAL, UL94-V0
- 2 - CONTACT PLATING:
SEPARABLE INTERFACE:
PERFORMANCE-BASED PLATING, QUALIFIED TO MEET THE REQUIREMENTS OF FCI PRODUCT SPECIFICATION GS-12-0956 INCLUDING TELCORDIA GR-1217-CORE (NOVEMBER 1995) CENTRAL OFFICE TEST SEQUENCE
PRESS-FIT TAILS: SEE TABLE
- 3 - PRODUCT SPECIFICATION: GS-12-0956
- 4 - APPLICATION SPECIFICATION: GS-20-0305
- 5 - PRODUCT MARKING, (PROTOTYPE, PART NUMBER & LOT CODE), ON THIS SURFACE.
- 6 - POSITIONS "F" AND "L" OF ODD NUMBERED COLUMNS AND POSITIONS "G" AND "M" OF EVEN NUMBERED COLUMNS CORRESPOND TO EARLY MATE HEADER PINS.
- 7 - CONNECTOR OUTLINE MAY BE SCREEN PRINTED ONTO CUSTOMER PCB TO BE USED AS A GUIDE FOR CONNECTOR PLACEMENT.
- 8 - REFER TO CUSTOMER DRAWING 10104444 FOR INFORMATION ON PCB HOLE DIAMETERS AND PLATING OPTIONS
- 9 - LEAD FREE PRODUCT MEETS THE EUROPEAN UNION DIRECTIVES & OTHER COUNTRY REGULATIONS AS DESCRIBED IN GS-22-008
- 10 - A Δ SYMBOL WILL BE NEXT TO ANY DIMENSION, VIEW, OR NOTE, WHICH HAS BEEN MODIFIED WITH THE CURRENT DRAWING REVISION.
- 11 - PACKAGING MEETS GS-14-920 LEAD FREE LABELING SPECIFICATION.
- 12 - GROUND CONTACTS (C, F, I, L, & O IN ODD COLUMNS AND A, D, G, J, & M IN EVEN COLUMNS) REQUIRE ($\varnothing 0.50$) FINISHED HOLES. SIGNAL LOCATIONS REQUIRE ($\varnothing 0.50$) FINISHED HOLES
- 13 - THESE OUTER VIAS (P) ARE OPTIONAL. WHILE NO CONNECTOR EONS ARE PRESSED INTO THESE HOLES WE RECOMMEND ($\varnothing 0.500$) FINISHED HOLES AT THESE LOCATIONS TO PROVIDE GROUND SYMMETRY THROUGH THE PCB.



10135660-101LF & 102LF

SCALE 4:1



spec ref	---	dr	Jackie Chen	2015/06/05	projection	MM	size	A2	scale	10:1													
tolerance std	ASME Y14.5M	eng	Art Lin	2016/11/14			ecn no	ELX-DG-2525-1	rel level	Released													
TOLERANCES UNLESS OTHERWISE SPECIFIED		chr	Heaven Cen	2016/11/17			product family			rel level	Released												
surface	<table border="1"> <tr> <td>linear</td> <td>0.X</td> <td>$\pm .3$</td> </tr> <tr> <td></td> <td>0.XX</td> <td>$\pm .15$</td> </tr> <tr> <td></td> <td>0.XXX</td> <td>$\pm .050$</td> </tr> <tr> <td>angular</td> <td>0°</td> <td>$\pm 2^\circ$</td> </tr> </table>	linear	0.X	$\pm .3$		0.XX	$\pm .15$		0.XXX	$\pm .050$	angular	0°	$\pm 2^\circ$	apppr	Pai-Ming Zheng	2016/11/18	Amphenol FCI	title	AirMax VS2 R.A. HEADER	dwg no	10135660	rev	B
linear	0.X	$\pm .3$																					
	0.XX	$\pm .15$																					
	0.XXX	$\pm .050$																					
angular	0°	$\pm 2^\circ$																					
		www.fci.com	cat. no.		Product - Customer Drw	sheet 3 of 3																	