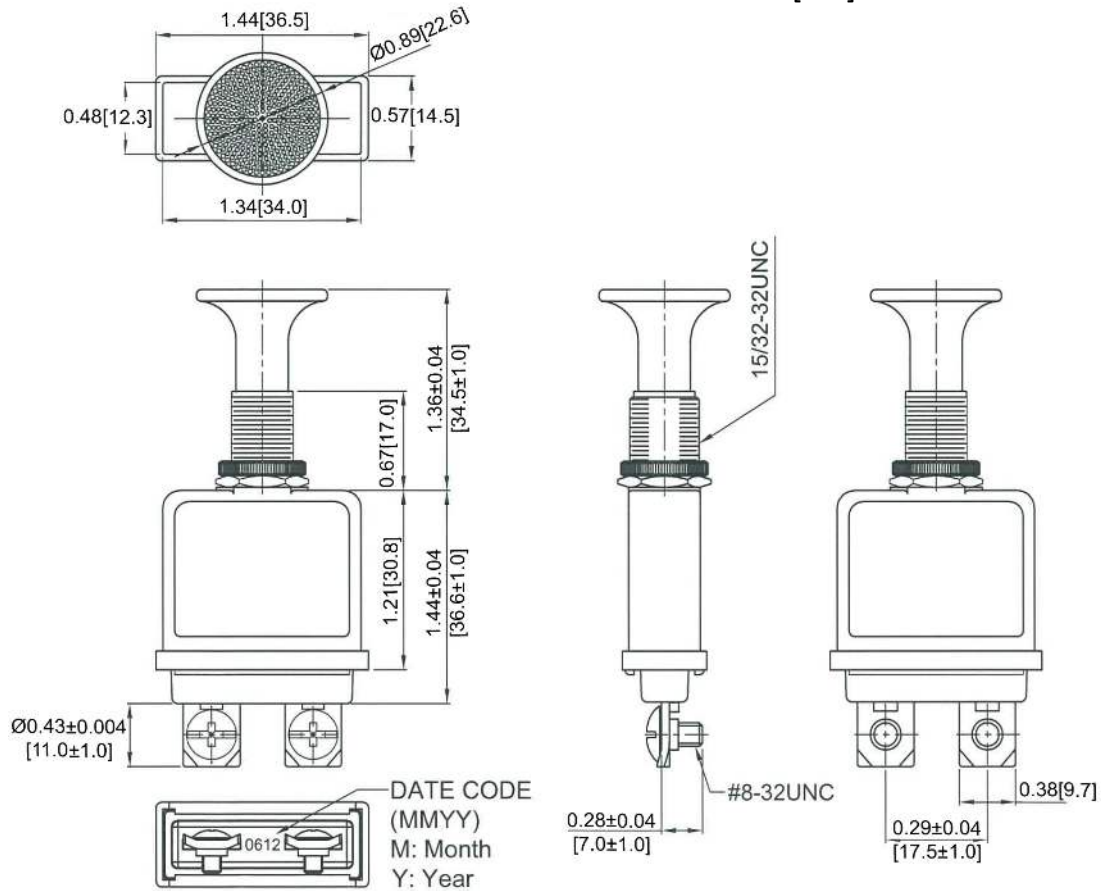


Mechanical Dimensions: Inches [mm]

Tolerances ± 0.012 [0.3] Unless Otherwise Specified

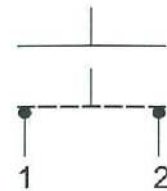


Mounting Hole



Circuit Diagram

2P PUSH-OFF/PULL-ON



Electrical Specifications

| | |
|-----------------------|----------------------|
| Rating | 75A, 6-28V DC |
| Contact Resistance | 50m ohm Max. |
| Insulation Resistance | DC 500V 100M ohm Min |
| Dielectric Strength | AC 500V 1 minute |
| Operation Temperature | -25°C ~ 85°C |

Material Specifications

| | |
|-----------|-------------------------|
| Frame | Nickel Plated, Zn Alloy |
| Actuator | Chrome Plated, Zn Alloy |
| Terminals | Copper Alloy. #8-32UNC |

Push-Pull Switch

PP-1A-DC-7-M



Rev **Date of issue** **Revision Notes**

Designed **Approved**

| | | | | |
|---|------------|-----------------|----|----|
| A | 05-18-2021 | Initial Drawing | RC | OF |
|---|------------|-----------------|----|----|