

1643906-1 ✓ ACTIVE



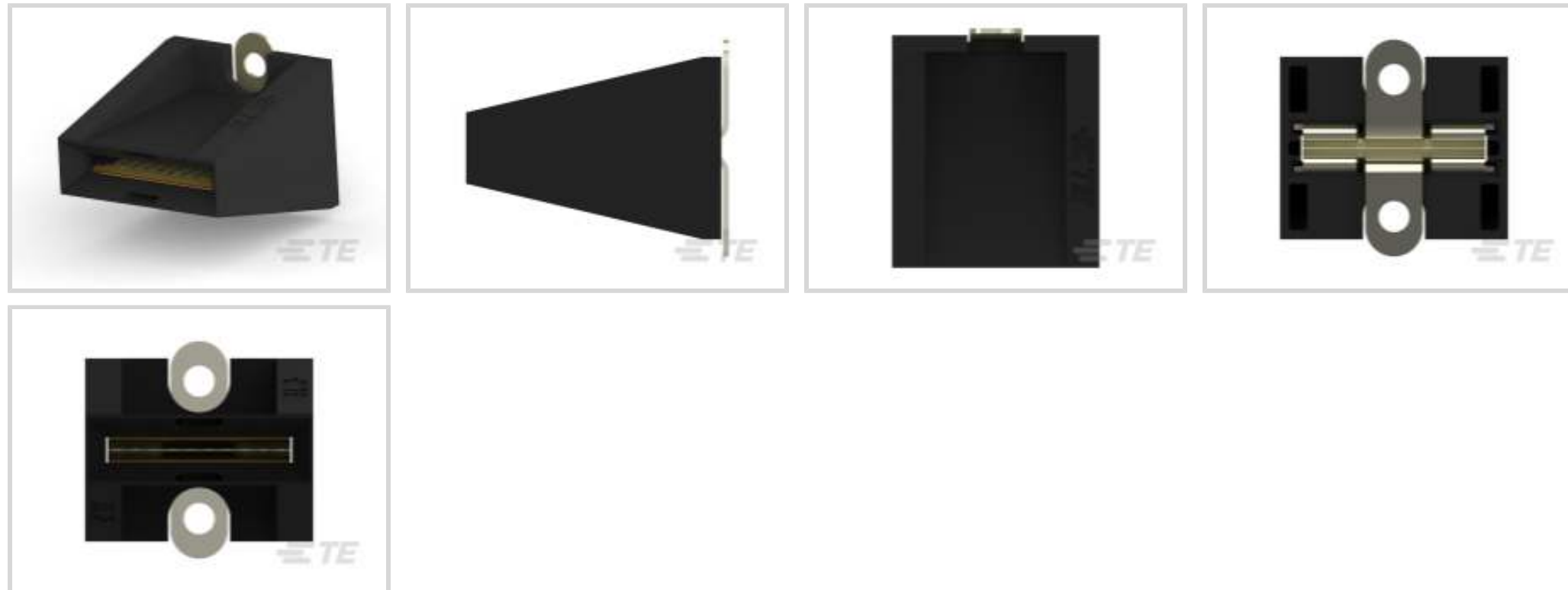
Crown Clip Senior

TE Internal #: 1643906-1

Busbar Connectors, Bus Bar-to-Bus Bar, 1 Position, Bus Bar, Thermoplastic, Black, Mating Alignment, Box & Carton, Vertical, Crown Clip Senior

[View on TE.com >](#)

Connectors > Power Connectors > Power Busbar Connectors > Busbar Connectors



Connector System: **Bus Bar-to-Bus Bar**

Number of Positions: **1**

Connector & Contact Terminates To: **Bus Bar**

Mating Conductor Thickness: **3.18 mm [.125 in]**

Housing Material: **Thermoplastic**

Features

Product Type Features

Connector & Housing Type	Receptacle
Connector System	Bus Bar-to-Bus Bar
Connector & Contact Terminates To	Bus Bar

Configuration Features

Number of Positions	1
PCB Mount Orientation	Vertical
Mating & Unmating Configuration	Hot Pluggable

Electrical Characteristics

Operating Voltage	600 VAC
-------------------	---------

Body Features

Bus Bar Contact Plating Material	Gold
----------------------------------	------

Contact Features

Contact Underplating Material Thickness	1.27 μ m[50 μ in]
---	---------------------------



Contact Mating Area Plating Material Thickness	.76 µm
Contact Shape & Form	Multiple Contact Band/CROWN BAND
Contact Underplating Material	Nickel
Contact Base Material	Beryllium Copper
Contact Current Rating (Max)	300 A
Contact Length	30.86 mm[1.215 in]
Bus Bar Contact Style	Socket

Termination Features

Termination Method to Printed Circuit Board	Through Hole - Screw
---	----------------------

Mechanical Attachment

Mating Alignment Type	Blindmate
Mating Alignment	With
Bus Bar Connector Mounting Retention	With
PCB Mount Retention Type	Mounting Ears, Mounting Hole
Connector Mounting Type	Board Mount

Housing Features

Housing Material	Thermoplastic
Housing Color	Black

Dimensions

Connector Height	31.75 mm[1.25 in]
Product Width	25.4 mm[1 in]
Product Length	35.56 mm[1.4 in]

Usage Conditions

Operating Temperature Range	-55 – 105 °C[-67 – 221 °F]
-----------------------------	----------------------------

Operation/Application

Circuit Application	Power
---------------------	-------

Industry Standards

Agency/Standard	CSA, UL
Approved Standards	CSA/C22.2 No. 182.3-M1987

Packaging Features

Packaging Method	Box & Carton
------------------	--------------

Other



Power Connectors Comment	Single Pole
Mating Conductor Thickness	3.18 mm[.125 in]

Product Compliance

[For compliance documentation, visit the product page on TE.com>](#)

EU RoHS Directive 2011/65/EU	Compliant
EU ELV Directive 2000/53/EC	Compliant
China RoHS 2 Directive MIIT Order No 32, 2016	No Restricted Materials Above Threshold
EU REACH Regulation (EC) No. 1907/2006	Current ECHA Candidate List: JUNE 2023 (235) Candidate List Declared Against: JUNE 2022 (224) Does not contain REACH SVHC
Halogen Content	Low Halogen - Br, Cl, F, I < 900 ppm per homogenous material. Also BFR/CFR/PVC Free
Solder Process Capability	Not applicable for solder process capability

Product Compliance Disclaimer

This information is provided based on reasonable inquiry of our suppliers and represents our current actual knowledge based on the information they provided. This information is subject to change. The part numbers that TE has identified as EU RoHS compliant have a maximum concentration of 0.1% by weight in homogenous materials for lead, hexavalent chromium, mercury, PBB, PBDE, DBP, BBP, DEHP, DIBP, and 0.01% for cadmium, or qualify for an exemption to these limits as defined in the Annexes of Directive 2011/65/EU (RoHS2). Finished electrical and electronic equipment products will be CE marked as required by Directive 2011/65/EU. Components may not be CE marked. Additionally, the part numbers that TE has identified as EU ELV compliant have a maximum concentration of 0.1% by weight in homogenous materials for lead, hexavalent chromium, and mercury, and 0.01% for cadmium, or qualify for an exemption to these limits as defined in the Annexes of Directive 2000/53/EC (ELV). Regarding the REACH Regulation, the information TE provides on SVHC in articles for this part number is based on the latest European Chemicals Agency (ECHA) 'Guidance on requirements for substances in articles' posted at this URL: <https://echa.europa.eu/guidance-documents/guidance-on-reach>

Compatible Parts

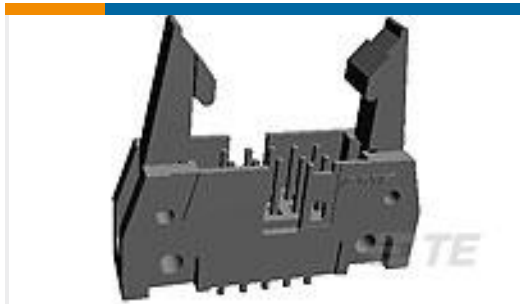


Also in the Series | [Crown Clip Senior](#)



Busbar Connectors(3)

Customers Also Bought



TE Part #5499910-8
A/L UNIV HDR 34P VERT SHT LAT



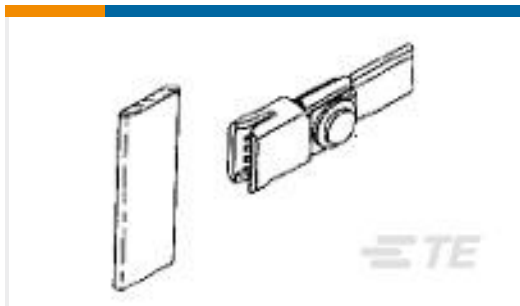
TE Part #1461404-6
OJ-SH-112LM,000



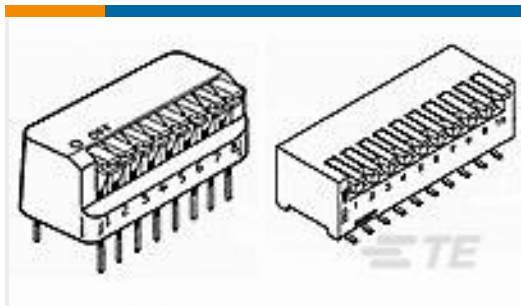
TE Part #1-5645955-2
SOCKET,MIN-SPR B-N SN-AU SER-2



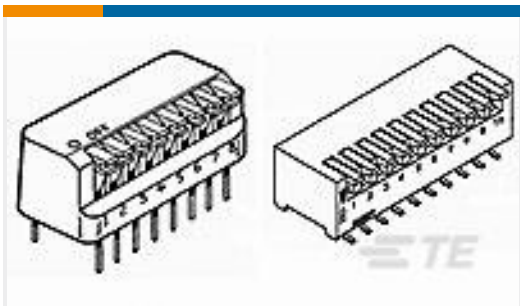
TE Part #1-1418507-2
SOCKET HSG 4POS.,AMP MCP2.8 /MCP6.3K



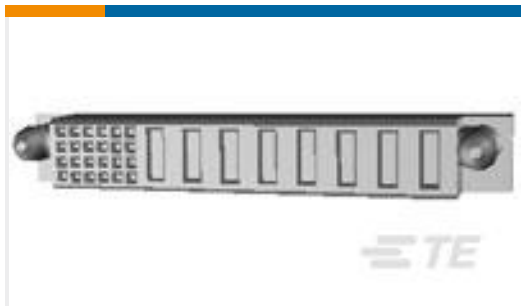
TE Part #104742-2
PLUGGABLE BUSBAR 062F2 POWER CONNECTOR



TE Part #5435802-3
RIGHT ANGLE DIP SW 4P AU



TE Part #435802-3
RIGHT ANGLE DIP SW 4P AU



TE Part #6450142-9
MBXL VERT RCPT 8P+24S



TE Part #6643169-1
Conn, Pin, 125A Middle Drawer, Crimp

Documents

Product Drawings

[Crown Clip Senior 538-17-00100 399-01 7](#)

English

CAD Files

[3D PDF](#)

[3D](#)

[Customer View Model](#)

[ENG_CVM_CVM_1643906-1_C2.2d_dxf.zip](#)



English

Customer View Model

[ENG_CVM_CVM_1643906-1_C2.3d_igs.zip](#)

English

Customer View Model

[ENG_CVM_CVM_1643906-1_C2.3d_stp.zip](#)

English

Customer View Model

[ENG_CVM_1643906-1_A.3d_igs.zip](#)

English

Customer View Model

[ENG_CVM_1643906-1_A.3d_stp.zip](#)

English

Customer View Model

[ENG_CVM_1643906-1_A.2d_dxf.zip](#)

English

3D PDF

English

By downloading the CAD file I accept and agree to the [Terms and Conditions](#) of use.

Datasheets & Catalog Pages

[POWER_CONNECTORS_CATALOG_SEC05_BUSBAR](#)

English

Busbar Power Brochure

English

Product Specifications

[Application Specification](#)

English

Product Environmental Compliance

[MD_1643906-1_10312017024_dmtec](#)

English

[MD_1643906-1_10312017024_dmtec](#)

English

Agency Approvals

[UL Report](#)

English