

Overview

The KEMET T368 is manufactured according to the requirements of MIL-PRF-49137, while maintaining all the performance characteristics of the UltraDip II. Performance characteristics meet or exceed the requirements of MIL-PRF-49137. In addition to the standard UltraDip II process testing, all products supplied to MIL-PRF-49137 are sampled

on a lot-by-lot basis for Group A and Group B inspection to ensure compliance. Product supplied per MIL-PRF-49137 also receives an additional post-process burn-in for at least two hours under accelerated voltage stress in excess of 125% of DC rated voltage. This post-process burn-in is equivalent to 200 hours under rated conditions.

Benefits

- Taped and reeled per EIA Specification RS-468
- Laser-marked case
- Qualified to MIL-PRF-49137
- Capacitance values of 5.6 to 330 μ F
- Tolerances of $\pm 10\%$ and $\pm 20\%$
- Voltage rating of 6 – 50 VDC
- Case sizes: C, D

Applications

Typical applications include filtering, bypassing, coupling, blocking and RC timing circuits or other applications that can benefit from compactness.



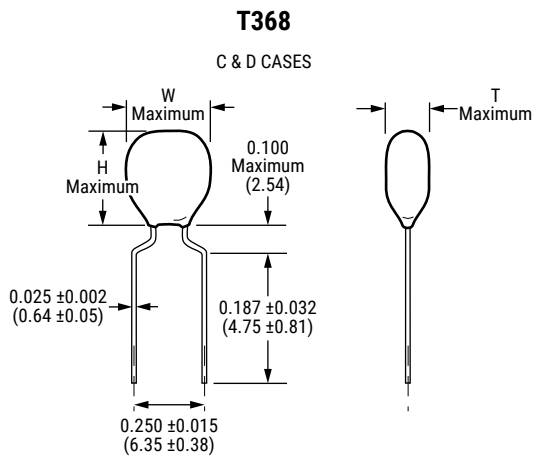
Ordering Information

T	368	C	106	M	035	A	S	
Capacitor Class	Series	Case Size	Capacitance Code (pF)	Capacitance Tolerance	Rated Voltage (VDC)	Failure Rate	Termination Finish	Packaging
T = Tantalum	T368	C, D	First two digits represent significant figures. Third digit specifies number of zeros to follow.	M = $\pm 20\%$ K = $\pm 10\%$	006 = 6 010 = 10 015 = 15 020 = 20 025 = 25 035 = 35 050 = 50	Not Applicable	S = Standard T = 100% Sn (tin)	Blank = Bulk 7301 = Tape & Reel 7303 = Tape & Reel 7305 = Ammo 7317 = Ammo

Performance Characteristics

Item	Performance Characteristics
Operating Temperature	-55°C to 125°C
Rated Capacitance Range	5.6 – 330 µF at 120 Hz/25°C
Capacitance Tolerance	M tolerance ±20%, K tolerance ±10%
Rated Voltage Range	6 – 50 V
DF (120 Hz at 25°C)	Refer to Part Number Electrical Specification Table
Leakage Current	Refer to Part Number Electrical Specification Table at rated voltage up to 85°C

Dimensions – Millimeters (Inches)



Case Size	T Maximum	W Maximum	H Maximum
C	0.250 (6.35)	0.400 (10.16)	0.420 (10.67)
D	0.250 (6.35)	0.460 (11.68)	0.520 (13.20)

Table 1 - Ratings and Part Number Reference

Rated Voltage	Rated Capacitance	Case Code Case Size	KEMET Part Number	DC Leakage	DF % at 25°C
(V) 85°C	µF			µA at 25°C Maximum/5 Minutes	120 Hz Maximum
6	82.0	C	T368C826(1)006A(2)	3.9	8
6	100.0	C	T368C107(1)006A(2)	4.8	8
6	120.0	C	T368C127(1)006A(2)	5.8	8
6	150.0	C	T368C157(1)006A(2)	7.2	8
6	180.0	D	T368D187(1)006A(2)	8.6	8
6	220.0	D	T368D227(1)006A(2)	10.0	8
6	270.0	D	T368D277(1)006A(2)	10.0	8
6	330.0	D	T368D337(1)006A(2)	10.0	8
10	47.0	C	T368C476(1)010A(2)	3.8	6
10	56.0	C	T368C566(1)010A(2)	4.4	6
10	68.0	C	T368C686(1)010A(2)	5.4	6
10	82.0	C	T368C826(1)010A(2)	6.5	8
10	100.0	C	T368C107(1)010A(2)	8.0	8
10	120.0	D	T368D127(1)010A(2)	9.6	8
10	150.0	D	T368D157(1)010A(2)	10.0	8
10	180.0	D	T368D187(1)010A(2)	10.0	8
10	220.0	D	T368D227(1)010A(2)	10.0	8
15	27.0	C	T368C276(1)015A(2)	3.2	6
15	33.0	C	T368C336(1)015A(2)	4.0	6
15	39.0	C	T368C396(1)015A(2)	4.7	6
15	47.0	C	T368C476(1)015A(2)	5.6	6
15	56.0	C	T368C566(1)015A(2)	6.8	6
15	68.0	C	T368C686(1)015A(2)	8.2	6
15	82.0	D	T368D826(1)015A(2)	9.8	8
15	100.0	D	T368D107(1)015A(2)	10.0	8
15	120.0	D	T368D127(1)015A(2)	10.0	8
15	150.0	D	T368D157(1)015A(2)	10.0	8
20	18.0	C	T368C186(1)020A(2)	2.8	6
20	22.0	C	T368C226(1)020A(2)	3.5	6
20	27.0	C	T368C276(1)020A(2)	4.3	6
20	33.0	C	T368C336(1)020A(2)	5.3	6
20	39.0	C	T368C396(1)020A(2)	6.2	6
20	47.0	C	T368C476(1)020A(2)	7.5	6
20	56.0	D	T368D566(1)020A(2)	8.9	6
20	68.0	D	T368D686(1)020A(2)	10.0	6
20	82.0	D	T368D826(1)020A(2)	10.0	8
20	100.0	D	T368D107(1)020A(2)	10.0	8
25	12.0	C	T368C126(1)025A(2)	2.4	6
25	15.0	C	T368C156(1)025A(2)	3.0	6
25	18.0	C	T368C186(1)025A(2)	3.6	6
25	22.0	C	T368C226(1)025A(2)	4.4	6
25	27.0	C	T368C276(1)025A(2)	5.4	6
25	33.0	C	T368C336(1)025A(2)	6.6	6
25	39.0	D	T368D396(1)025A(2)	7.8	6
25	47.0	D	T368D476(1)025A(2)	9.4	6
25	56.0	D	T368D566(1)025A(2)	10.0	6
25	68.0	D	T368D686(1)025A(2)	10.0	6
35	8.2	C	T368C825(1)035A(2)	2.3	6
35	10.0	C	T368C106(1)035A(2)	2.8	6
35	12.0	C	T368C126(1)035A(2)	3.3	6
35	15.0	C	T368C156(1)035A(2)	4.2	6
35	18.0	C	T368C186(1)035A(2)	5.0	6
35	22.0	C	T368C226(1)035A(2)	6.2	6
35	27.0	D	T368D276(1)035A(2)	7.5	6
35	33.0	D	T368D336(1)035A(2)	9.2	6
(V) 85°C	µF	Case Code Case Size	KEMET Part Number	µA at 25°C Maximum/5 Minutes	120 Hz Maximum
Rated Voltage	Rated Capacitance			DC Leakage	DF % at 25°C

(1) To complete KEMET or military part number, insert M - 20%, K - ±10% or J - ±5% (Available on special order). Designates Capacitance tolerance.

(2) To complete KEMET part number, insert S = Standard coated or T=100% Sn (tin). Designates termination finish.

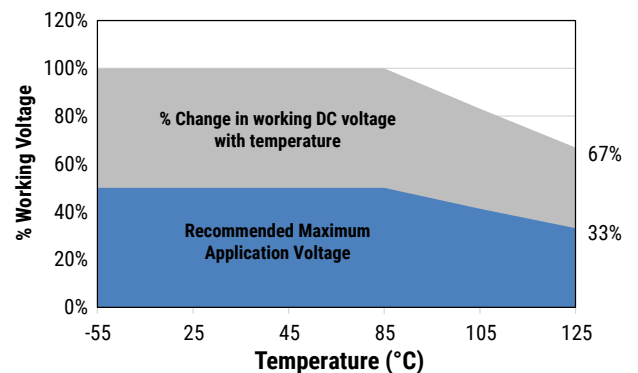
Table 1 - Ratings and Part Number Reference cont.

Rated Voltage	Rated Capacitance	Case Code Case Size	KEMET Part Number	DC Leakage	DF % at 25°C
(V) 85°C	μF			μA at 25°C Maximum/5 Minutes	120 Hz Maximum
35	39.0	D	T368D396(1)035A(2)	10.0	6
35	47.0	D	T368D476(1)035A(2)	10.0	6
50	5.6	C	T368C565(10050A(2)	2.2	5
50	6.8	C	T368C685(10050A(2)	2.7	5
50	8.2	C	T368C825(1)050A(2)	3.2	6
50	10.0	C	T368C106(1)050A(2)	4.0	6
50	12.0	C	T368C126(1)050A(2)	4.8	6
50	15.0	C	T368C156(1)050A(2)	6.0	6
50	18.0	D	T368D186(1)050A(2)	7.2	6
50	22.0	D	T368D226(1)050A(2)	8.8	6
(V) 85°C	μF	Case Code Case Size	KEMET Part Number	μA at 25°C Maximum/5 Minutes	120 Hz Maximum
Rated Voltage	Rated Capacitance			DC Leakage	DF % at 25°C

(1) To complete KEMET or military part number, insert M - 20%, K - ±10% or J - ±5% (Available on special order). Designates Capacitance tolerance.
(2) To complete KEMET part number, insert S = Standard coated or T=100% Sn (tin). Designates termination finish.

Recommended Voltage Derating Guidelines

	-55°C to 85°C	85°C to 125°C
% Change in working DC voltage with temperature	V_R	66% of V_R
Recommended Maximum Application Voltage	50% of V_R	33% of V_R



Ripple Current/Ripple Voltage

Permissible AC ripple voltage and current are related to equivalent series resistance (ESR) and the power dissipation capabilities of the device. Permissible AC ripple voltage that may be applied is limited by following criteria:

1. Dissipated power must not exceed the limits specified for the Series.
2. The positive peak AC voltage plus the DC bias voltage, if any, must not exceed the DC voltage rating of the capacitor.
3. The negative peak AC voltage in combination with bias voltage, if any, must not exceed the allowable limits specified for reverse voltage.

Thermal capacities for the various case sizes have been determined empirically and are listed below. The “ripple voltage” permissible may be calculated from the impedance and ESR data shown in the respective product section.

Temperature Compensation Multipliers for Maximum Power Dissipation		
T ≤ 25°C	T ≤ 85°C	T ≤ 125°C
1.00	0.90	0.40

T = Environmental Temperature

The maximum power dissipation rating must be reduced with increasing environmental operating temperatures. Refer to the Temperature Compensation Multiplier table for details.

Case Size	Maximum Power Dissipation (Pmax) Watts at 25°C
C	0.090
D	0.135

Using the P max of the device, the maximum allowable rms ripple current or voltage may be determined.

$$I(max) = \sqrt{P_{max}/R}$$

$$E(max) = Z \sqrt{P_{max}/R}$$

I = rms ripple current (amperes)

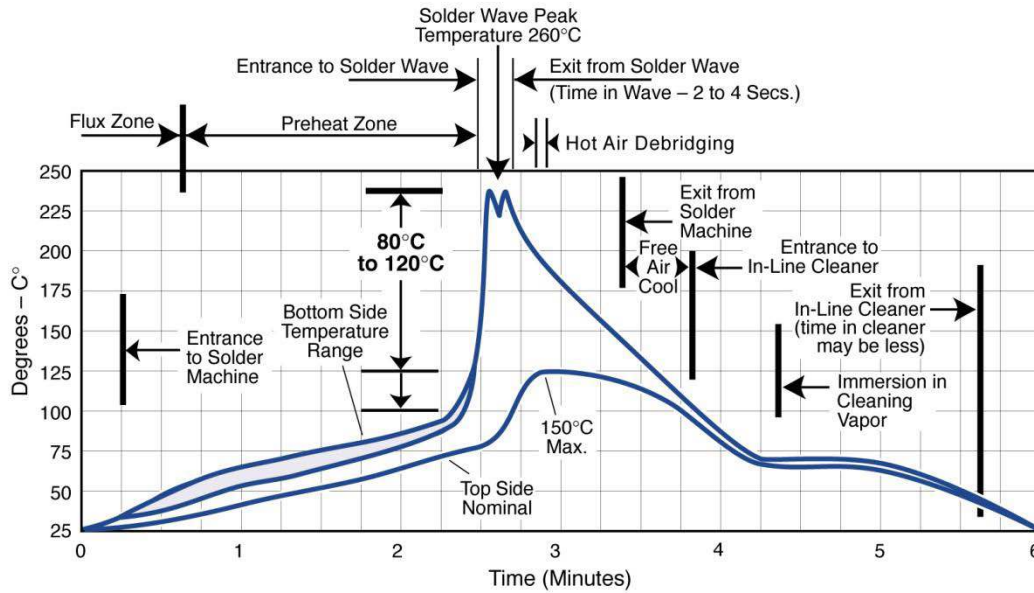
E = rms ripple voltage (volts)

P max = maximum power dissipation (watts)

R = ESR at specified frequency (ohms)

Z = Impedance at specified frequency (ohms)

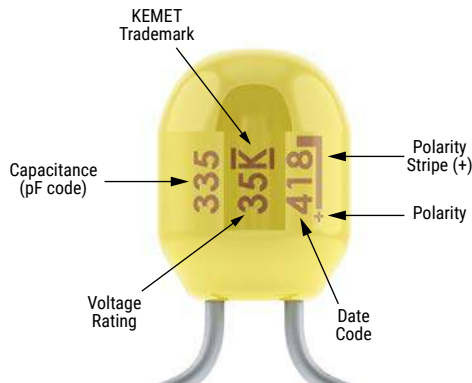
Optimum Solder Wave Profile



Mounting

All encased capacitors will pass the Resistance to Soldering Heat Test of MIL-STD-202, Method 210, Condition C. This test simulates wave solder of topside board mount product. This demonstration of resistance to solder heat is in accordance with what is believed to be the industry standard. More severe treatment must be considered reflective of an improper soldering process. The above figure is a recommended solder wave profile for both axial and radial leaded solid tantalum capacitors.

Capacitor Marking



Storage

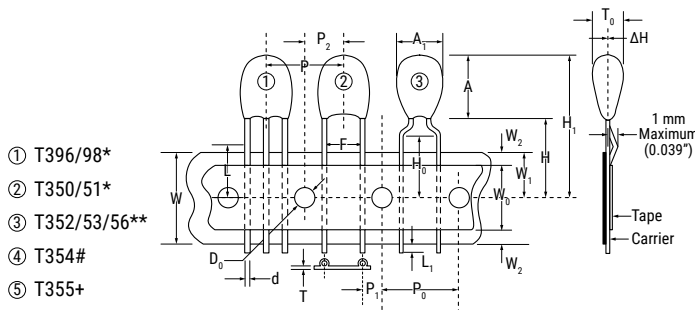
Tantalum molded radial/axial capacitors should be stored in normal working environments. KEMET recommends that maximum storage temperature not exceed 40°C and maximum storage humidity not exceed 60% RH. Storage at high temperature may cause a small, temporary increase in leakage current (measured under standard conditions), but the original value is usually restored within a few minutes after application of rated voltage. Storage at high humidity may increase capacitance and dissipation factor. Solderability will be degraded by exposure to high temperatures, high humidity, corrosive atmospheres, and long term storage. For optimized solderability capacitors stock should be used promptly, preferably within three years of receipt.

Tape & Reel Packaging Information

Table 2 – Packaging Quantity

Case Size	Standard Bulk Quantity	Standard Reel Quantity	Reel C-Spec	Ammo Pack Quantity
C	500	500	C-7301/7303	800
D	500	500	C-7301/7303	800

Figure 1



Dimension	Symbol	Nominal mm (inch)		Tolerance mm (inch)	
Body Height (1)	A	17.0 (0.67)		Maximum	
Body Width (1)	A ₁	15.24 (0.600)		Maximum	
Sprocket Hole Diameter	D ₀	4.0 (0.157)		±0.3 (±0.012)	
Lead Diameter	d	0.51 (0.020)	0.64 (0.025)	±0.05 (±0.002)	
Lead Center (4)	F	See Note Below			
Component Base to Tape Center (4)	H	C-7301 16.0 (0.630)	C-7303 18.0 (0.709)	C-7301 ±0.5 (±0.02)	C-7303 Minimum
Lead Standoff Height	H ₀	C-7301 16.0 (0.630)	C-7303 18.0 (0.709)	C-7301 ±0.5 (±0.02)	C-7303 Minimum
Component Height Above Tape Center	H ₁	32.25 (1.270)		Maximum	
Component Alignment Front to Rear	ΔH	0		1.0 (0.039)	
Cut Out Length	L	11.0 (0.433)		Maximum	
Lead Protrusion	L ₁	1.0 (0.039)		Maximum	
Component Pitch (5)	P	12.7 (0.500)		±1.0 (±0.039)	
Sprocket Hole Pitch (2)	P ₀	12.7 (0.500)		±0.03 (±0.012)	
Sprocket Hole Center to Lead Center (3) (4)	P ₁	See Note Below		±0.7 (±0.028)	
Sprocket Hole Center to Component Center (5)	P ₂	See Note Below			
Body Thickness	T ₀	10.2 (0.400)		Maximum	
Total Tape Thickness	T	0.7 (0.28)		±0.02 (±0.008)	
Carrier Tape Width	W	18.0 (0.709)		+1.0/-0.5 (+0.039/-0.020)	
Hold-Down Tape Width	W ₀	15 mm (0.561)	6 mm (0.236)	+1.0/-0.8 (+0.039/-0.031)	
Sprocket Hole Location	W ₁	9.0 (0.354)		+0.075/-0.5 (+0.030/-0.020)	
Hold-Down Tape Location	W ₂	12.0 (0.472)		Maximum	

Notes:

- (1) See Dimensions table for specific values per case size.
- (2) Cumulative pitch error ±1.0 mm (0.039) maximum in 20 consecutive sprocket hole locations.
- (3) Measured at bottom of standoff.
- (4) P₁ and F measured at egress from carrier tape.
- (5) P and P₂ measured at egress from carrier tape.

* Lead spacings are 2.5 mm (0.098") center to center (T350 A-H)

** Lead spacings are 5.0 mm (0.197") center to center

Lead spacings are 6.35 mm (0.25") center to center

+ Lead spacings are 3.18 mm (0.125") center to center

F Dimensions:	P ₁ Dimensions:
0.100" ±0.015	Lead Spacing
0.125" ±0.015	0.100" - 0.200 ±0.028"
0.200" ±0.015	0.125" - 0.187 ±0.028"
0.250" ±0.015"	0.200" - 0.150 ±0.028"
0.100" ±0.015 (3 leaded)	0.250" - 0.125 ±0.028"
	0.100" - 0.100 ±0.028" (3 leaded)

KEMET Electronics Corporation Sales Offices

For a complete list of our global sales offices, please visit www.kemet.com/sales.

Disclaimer

All product specifications, statements, information and data (collectively, the "Information") in this datasheet are subject to change. The customer is responsible for checking and verifying the extent to which the Information contained in this publication is applicable to an order at the time the order is placed. All Information given herein is believed to be accurate and reliable, but it is presented without guarantee, warranty, or responsibility of any kind, expressed or implied.

Statements of suitability for certain applications are based on KEMET Electronics Corporation's ("KEMET") knowledge of typical operating conditions for such applications, but are not intended to constitute – and KEMET specifically disclaims – any warranty concerning suitability for a specific customer application or use. The Information is intended for use only by customers who have the requisite experience and capability to determine the correct products for their application. Any technical advice inferred from this Information or otherwise provided by KEMET with reference to the use of KEMET's products is given gratis, and KEMET assumes no obligation or liability for the advice given or results obtained.

Although KEMET designs and manufactures its products to the most stringent quality and safety standards, given the current state of the art, isolated component failures may still occur. Accordingly, customer applications which require a high degree of reliability or safety should employ suitable designs or other safeguards (such as installation of protective circuitry or redundancies) in order to ensure that the failure of an electrical component does not result in a risk of personal injury or property damage.

Although all product-related warnings, cautions and notes must be observed, the customer should not assume that all safety measures are indicated or that other measures may not be required.

KEMET is a registered trademark of KEMET Electronics Corporation.