

1

2

3

4

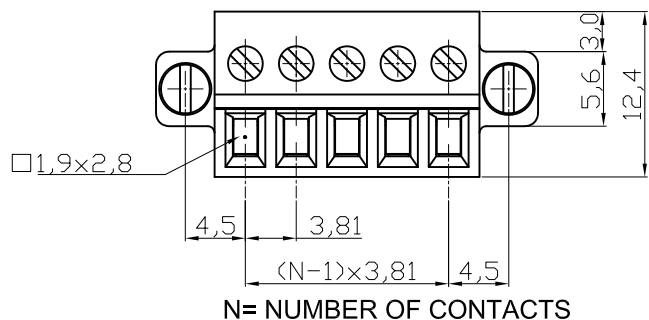
5

6

7

A

A

**Material**

Terminal body

(metal housing): Steel

Insulator (housing): Thermoplastic (UL94V-0), Green

With flange screw: Steel Zinc plated ,M2,5

Wire guard: PhBz(CuSn), Tin plated

**Electrical**

cULus

Voltage rating: 300VAC

Current rating: 10A

Wire range:

Solid wire(AWG): 16-28

Stranded wire (AWG): 16-28


Torque: 1.7Lb-In.

Screw: M2

Wire strip length: 6-7mm

Withstanding Voltage: 1.6KV

Operating temperature: -30°C to +105°C

Safety Approval: 

B

B

C

C

D

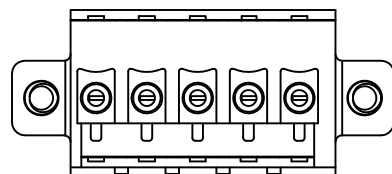
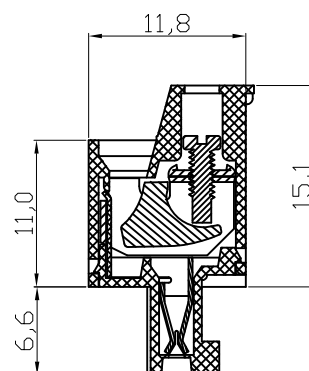
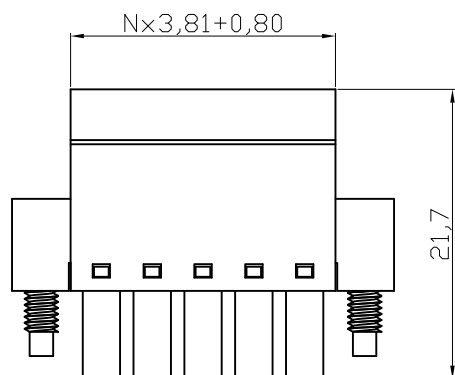
D


E

E

F

F

**RoHS compliant**

Scale	1:1						Date	Name	Customer-No.
TOLERANCE						Drawn	10.12.2009	Dean	ASSMANN WSW-No. <b>A-TB381-VMxxF</b>
X.	±0.50					Approved	10.12.2009	Hellwig	
X.X	±0.30								
X.XX	±0.10								
DIM	TOL								
X.°	±1°								Drawing-No.
		①	Drawn	10.12.2009	Dean			ASS 3848 CO rev01	
Angle	TOL	Id.	Modification	Date	Name			Replace	Sheet

G

G

H

H

1

2

3

4

5

6

7