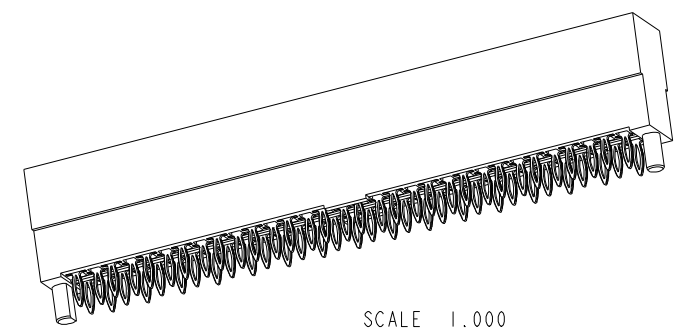
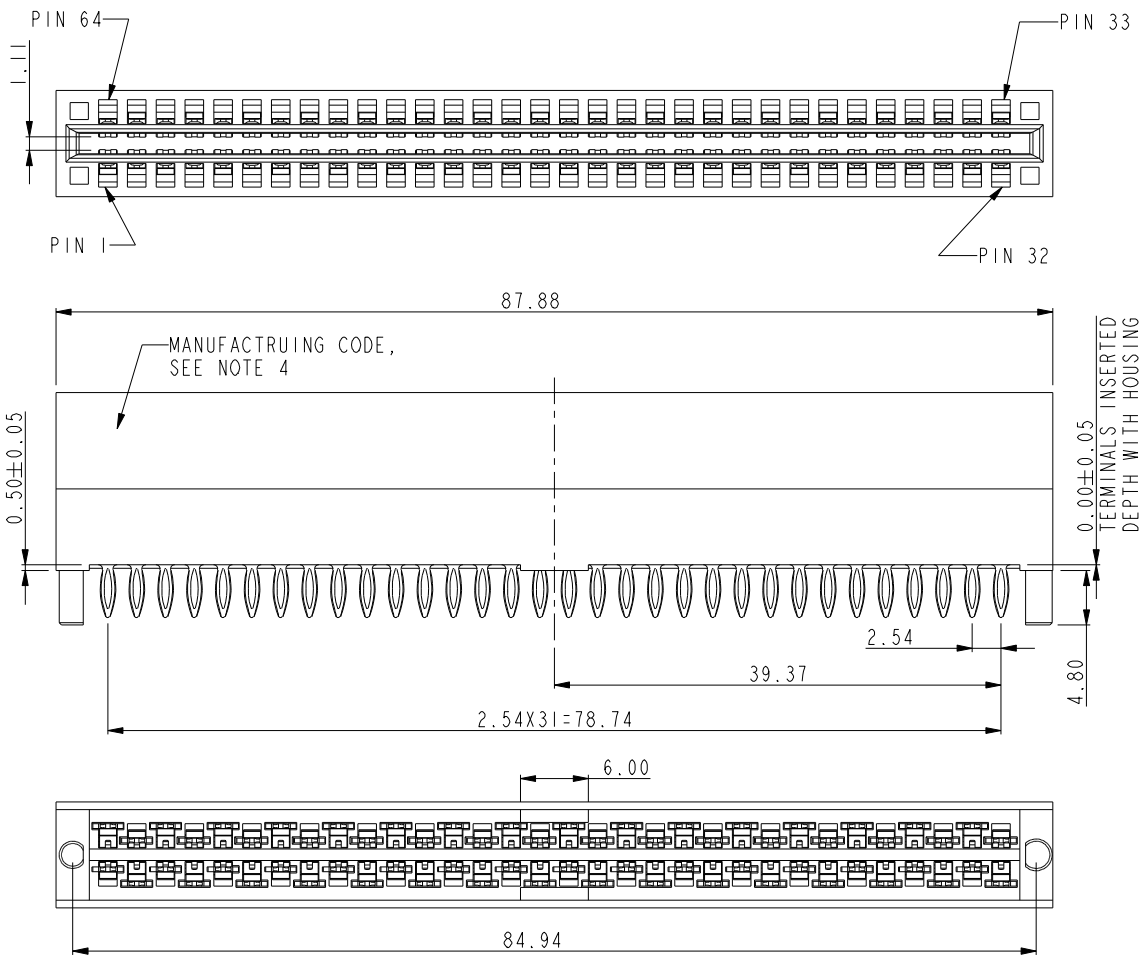


FCI CONFIDENTIAL

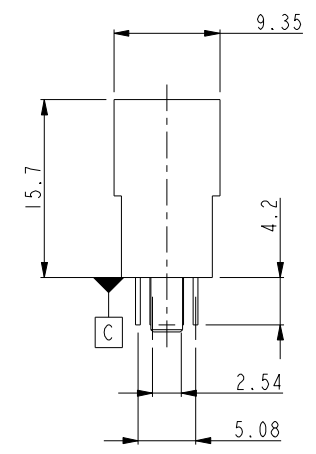


This document is the property of and embodies CONFIDENTIAL and PROPRIETARY information of FCI. No part of the information shown on this document may be used in any way or disclosed to others without the written consent of FCI. Copyright FCI.

P/N 10075664-003LF



SCALE 1.000



Mark with 10075664-003 REV. 1 in area indicated by X.....			
rev	ecn no	dr	date
A	DG10-0098	Junon	03/08/10
B	DG10-0206	Junon	06/02/10

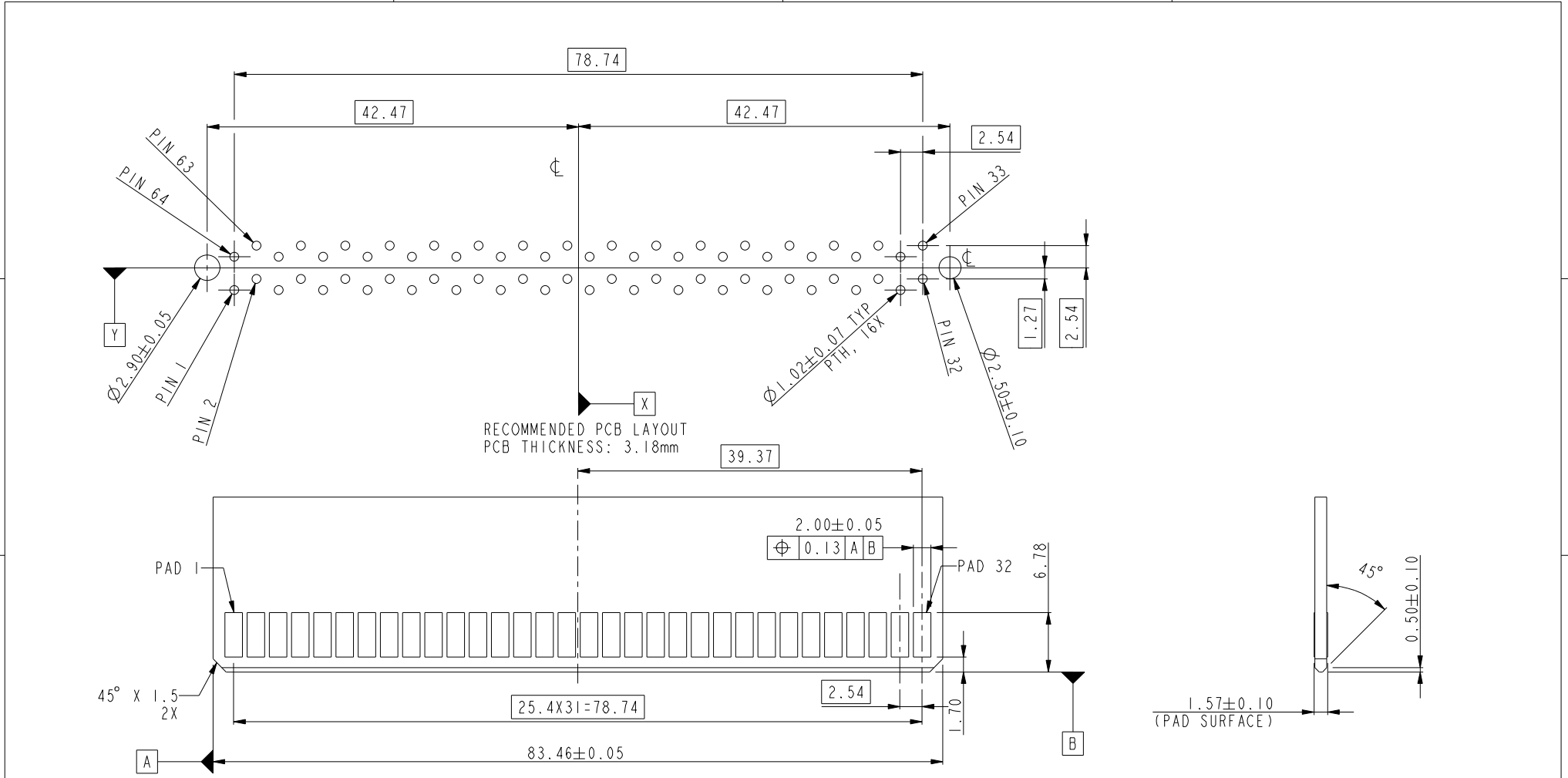
Material	SEE NOTE	Spec ref	*
Mat code		ISO 1302	tolerance ISO 406 ISO 1101
Heatreat		ISO 1302	projection
Plating/Finish		ISO 1302	size A4 Scale 3:2
Dr	Junon Huang	11/10/09	Product family
Eng	Junon Huang	11/10/09	Model Name 10075664-003
Chr	Pei Ming Zheng	11/11/09	Model Revision 1
Appr	Joseph Hsia	11/11/09	REL Level

TOLERANCES UNLESS OTHERWISE SPECIFIED			
L INEAR	0.X	±0.5	-
	0.XX	±0.25	-
	0.XXX	±0.050	-
ANGULAR	0°	±2°	-

	title	PRESS FIT TYPE	dwg no	10075664-003	Rev. B
		POWER EDGE CONNECTOR			
Pro/E file	catalog	PDM: Rev-B	STATUS: Released	sheet 1 of 2	Printed: Dec 03, 2010



This document is the property of and embodies CONFIDENTIAL and PROPRIETARY information of FCI. No part of the information shown on this document may be used in any way or disclosed to others without the written consent of FCI. Copyright FCI.



CONNECTOR NOTE:

- HOUSING MATERIAL: HIGH TEMPERATURE THERMOPLASTIC
UL 94V-0, FLAME RETARDANT
- TERMINAL: COPPER ALLOY
- PLATING:
 - Ni: 50 μ "/1.27 μ m UNDER PLATED
 - Au: 30 μ "/0.76 μ m ON CONTACT AREA (ONE SIDE)
 - Sn: 50 μ "/1.27 μ m ON PRESS FIT TAIL
- MANUFACTURING CODE PLEASE REFERENCE FCI SPECIFICATION GS-24-007.

PCB NOTE:

- ALL THROUGH HOLES ARE LOCATED WITH A TRUE POSITION OF 0.1mm.
- ALL DIAMETERS ARE FINISHED HLD SIZES.
- $\phi 1.15$ mm DRILLED HOLES, PLATED WITH 0.007mm MIN. HASL-FREE Pb. OVER 1.03mm TO 0.08mm Cu PLATING TO ACHIEVE A 1.02 ± 0.07 mm HOLE.

Material		SEE NOTE		Spec ref	*		
Mat code				✓	tolerance	projection	MM
Heat treat					ISO 1101		
Plating/Finish				ISO 1302	ISO 406		
Dr	Junon Huang	11/10/09			size	A4	Scale
Eng	Junon Huang	11/10/09	Product family				
Chr	Pei Ming Zheng	11/11/09	Model Name		10075664-003	ECN	*
Appr	Joseph Hsia	11/11/09	Model Revision		1	REL Level	CONCEPT
		title			10075664-003		Rev.
		POWER EDGE CONNECTOR					B
Pro/E file	catalog	PDM: Rev-B		STATUS: Released	sheet 2 of 2		