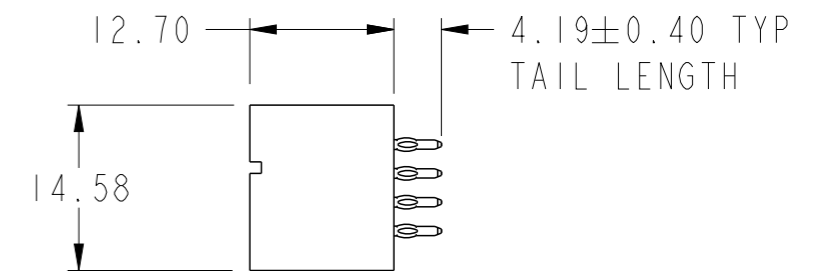
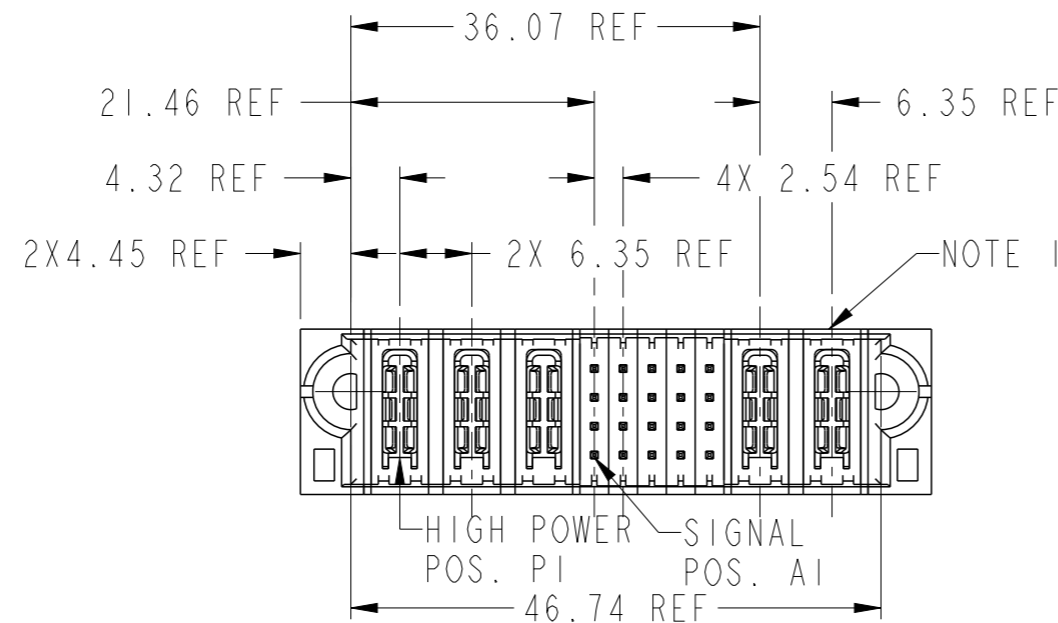
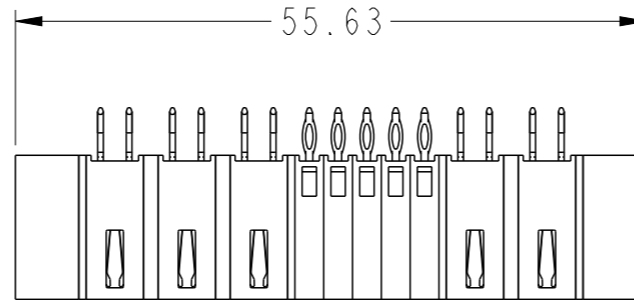
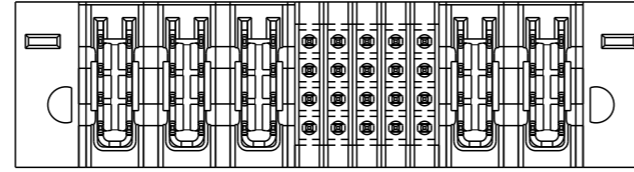


PART NUMBER SEE SHEET 2



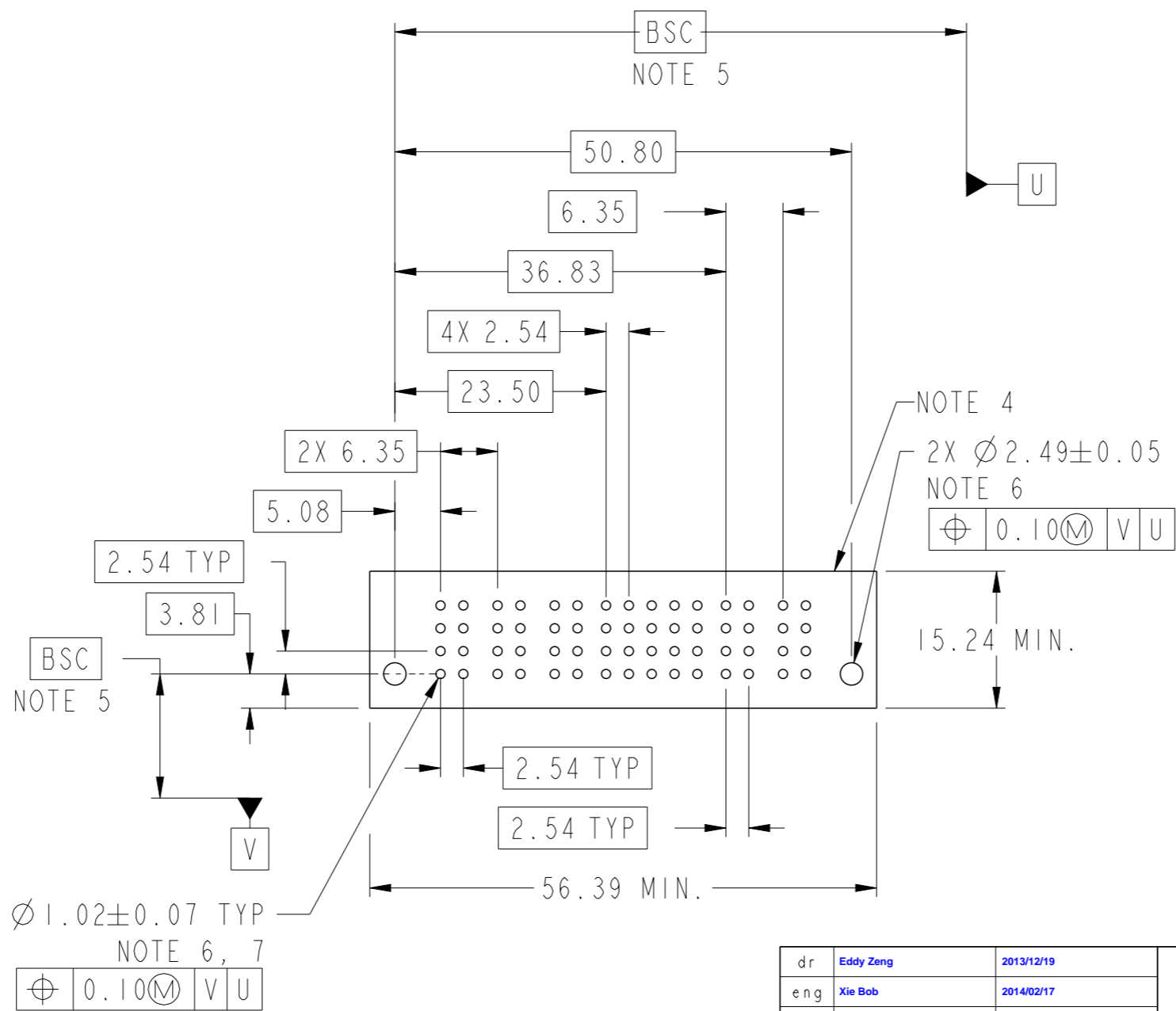
spec ref	*	dr	Eddy Zeng	2013/12/19	projection	MM	size	A3	scale	3:2
tolerance std	ASME Y14.5	eng	Xie Bob	2014/02/17			ecn no	-	rel level	Released
TOLERANCES UNLESS OTHERWISE SPECIFIED		chr	Li-He	2014/02/16						
surface	linear	appr	Pei-Ming Zheng	2014/02/17	product family	PwrBlade+	rel level	Released		rev
ASME Y14.5	angular	0°	±0.5	±0.25	±0.10	±2°	www.fci.com	cat. no.	3HP + 20S + 2HP	VERTICAL PF HEADER
FCj	www.fci.com	cat. no.	10106129-5005001	Product - Customer Drw	sheet 1 of 3	rev	A			



Copyright FCI.

PRODUCT NO.	ROWS	HP				SIGNAL					HP		E2
		E1	P1	P2	P3	1	2	3	4	5	P4	P5	
10106129-5005001LF	DCBA												

CODE	DESCRIPTION
G	STD SIGNAL CONTACT
H4	STD HIGH POWER CONTACT



dr	Eddy Zeng	2013/12/19	projection	MM	size	A3	scale	3:2
eng	Xie Bob	2014/02/17		← →	ecn no		-	
chr	Li-He	2014/02/16			rel level		Released	
appr	Pei-Ming Zheng	2014/02/17	product family		PwrBlade+		Released	
			3HP + 20S + 2HP			dwg no		10106129-5005001
www.fci.com			VERTICAL PF HEADER			rev		A
cat. no.			Product - Customer Drw			sheet 2 of 3		

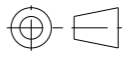
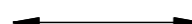

Copyright FCI.

NOTES:

- 1) "FCI", PART NUMBER AND DATE CODE TO BE MARKED ON THIS SURFACE.
THE MARK CAN BE OMITTED IF THERE IS NOT ENOUGH SPACE ON THIS SURFACE.
- 2) MATERIALS:
-HOUSING - GLASS FILLED WITH HIGH TEMP THERMOPLASTIC, UL94V-0.
-SIGNAL CONTACT - COPPER ALLOY.
-POWER CONTACT - HIGH CONDUCTIVITY COPPER ALLOY.
- 3) PLATING SPECIFICATION REFER TO FCI 10116351
- 4) DENOTES CONNECTOR KEEP OUT ZONE.
- 5) DATUM AND BASIC DIMENSIONS WERE ESTABLISHED BY CUSTOMER.
- 6) ALL HOLE DIAMETERS ARE FINISHED HOLE SIZES.
- 7) 1.15 ± 0.025 MM DRILLED HOLE PLATED WITH 0.00762MM MIN Sn
OVER 0.0254-0.0762MM Cu PLATING TO ACHIEVE A 1.02 ± 0.07 MM HOLE.
- 8) PRODUCT SPECIFICATION REFER TO FCI GS-12-658.
APPLICATION SPECIFICATION REFER TO FCI GS-20-141.
PRODUCT PACKAGED IN TRAYS, REFER TO FCI GS-14-1502.



Copyright FCI.

dr	Eddy Zeng	2013/12/19	projection 	MM 	size	A3	scale	3:2
eng	Xie Bob	2014/02/17			ecn no	-		
chr	Li-He	2014/02/16			rel level	Released		
appr	Pei-Ming Zheng	2014/02/17	product family	PwrBlade+				
		3HP + 20S + 2HP VERTICAL PF HEADER			dwg no 10106129-5005001	rev A		
www.fci.com		cat. no.	Product - Customer Drw		sheet 3 of 3			