

Ratings

Voltage: 300 V
 Temperature: -40~105 °C
 Flammability: VW-1

Conductor

Conductor count: 4
 Gauge: 26 AWG 0.15 mm²
 Material: tinned copper strands
 Strand size: $\varnothing 0.1 \times 19$
 Resistance at 20 °C: 150 Ω /km max

Insulator

Material: FEP
 Color: red, black, white, yellow
 Diameter: $\varnothing 0.82 \pm 0.10$
 Nominal thickness: 0.13 mm
 Resistance at 20 °C: 10 M Ω /km min

Filler

Material: aramid fiber

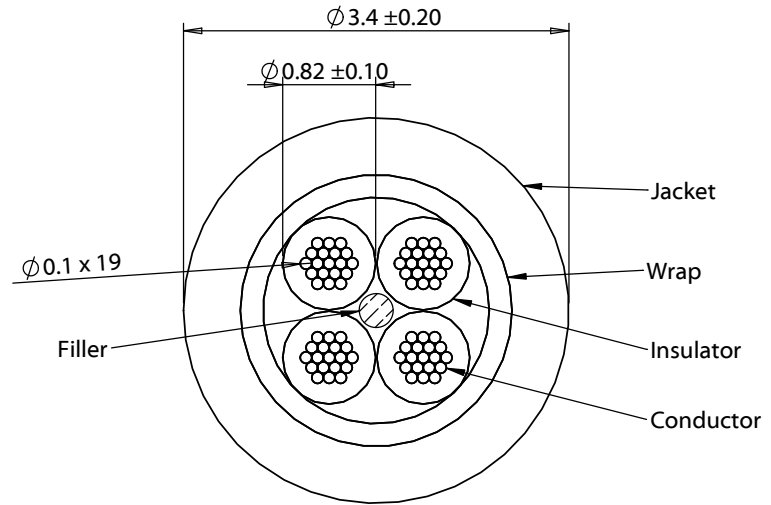
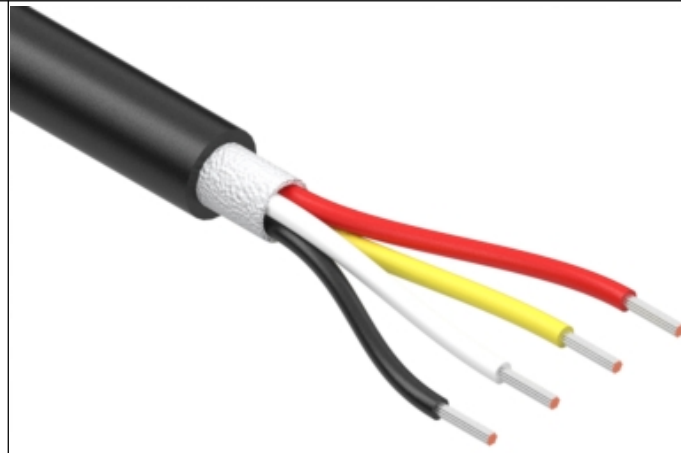
Wrap

Material: cotton paper

Outer jacket

Material: TPE
 Color: black
 Diameter: $\varnothing 3.4 \pm 0.20$
 Nominal thickness: 0.6 mm

Wire marking: E339579 UL AWM STYLE 21296 26 AWG 105°C
 300V VW-1 --- cUL AWM I A 105°C 300V FT1 TENSILITY DGT



Revision:	Date:	Description:
A	4/28/2021	Initial release

Prepared:
AW
Digitally signed by AW
 Date: 2021.04.28
 16:37:23 -07'00'

Verified:
JC
Digitally signed by JC
 Date: 2021.05.04 16:10:09
 -07'00'

Dimensions are in millimeters.
 Tolerances:
 X: ± 0.5 mm
 X.X: ± 0.3 mm
 X.XX: ± 0.05 mm

Notes:
 RoHS compliant
 Phthalate free
 Function test: no open, no short circuit, no intermittent

Description:
 Wire, 4C TS, 26 AWG, UL 21296, 300V, 105C, 3.4 mm, TPE

TENSILITY

tel 1.541.323.3228 800 877.670.7118
 fax 1.541.323.4202 web tensility.com

Size:	Part number:
A	30-01920
Scale: 15:1	Sheet 1 of 1