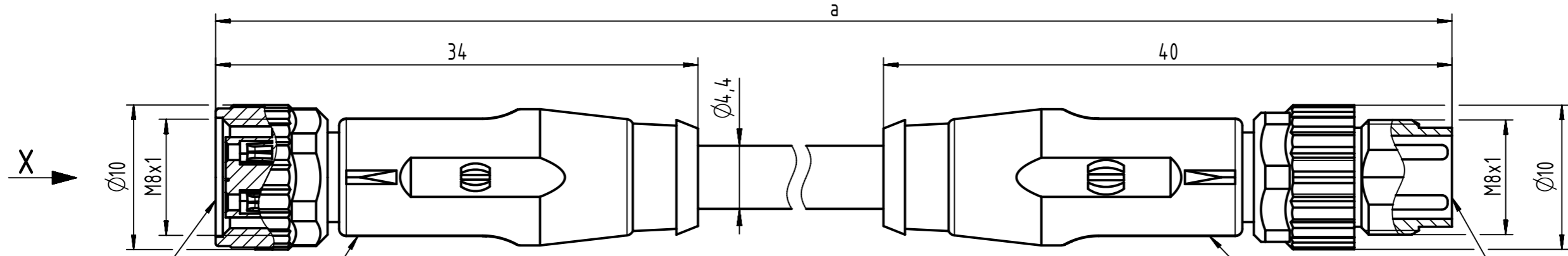


Connector Location A

Connector Location B



M8 A-coded 3-pole, straight overmolded, unshielded for technical details see: DS 21025001002

M8 A-coded 3-pole, straight overmolded, unshielded for technical details see: DS 21025001001

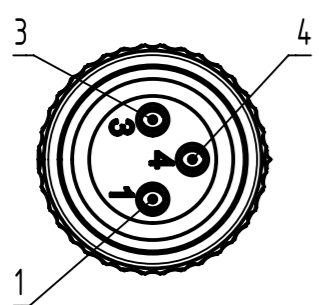
Mating face acc. to IEC 61076-2-104

Mating face acc. to IEC 61076-2-104

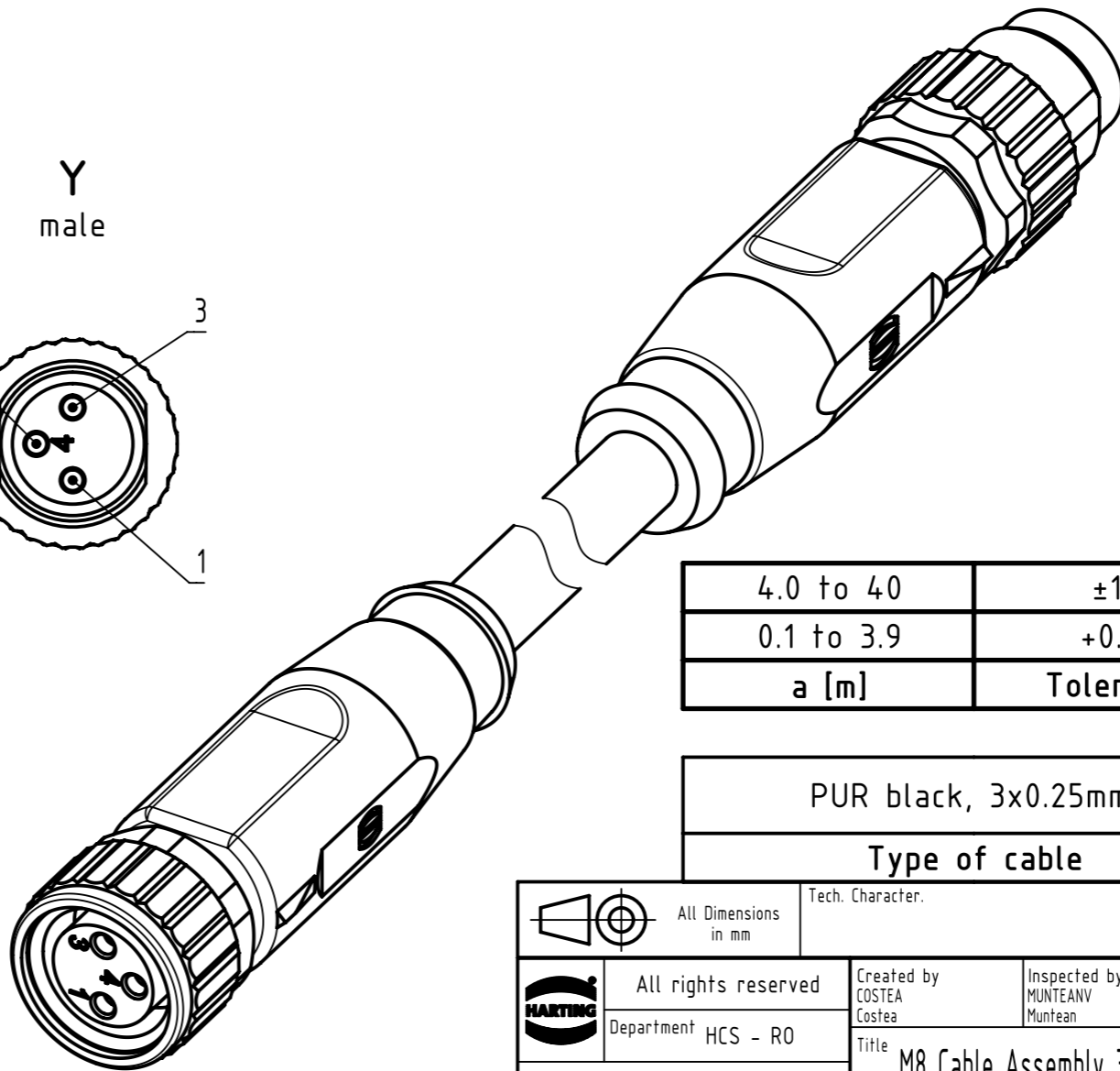
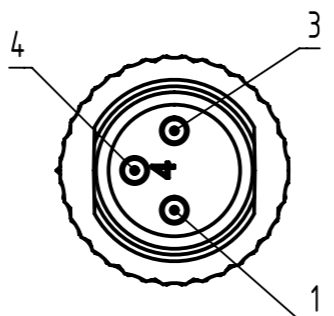
X female

Y male

Loading-Plan:



- 1 brown
- 3 blue
- 4 black



length in "1m" step	40	XXX=400
	39	XXX=390
	.	.
	12	XXX=120
	11	XXX=110
length in "0.1m" step	10	XXX=100
	9.9	XXX=099
	9.8	XXX=098
	.	.
	0.4	XXX=004
	0.3	XXX=003
	0.2	XXX=002
0.1	XXX=001	
Step	a [m]	XXX

4.0 to 40	±1%
0.1 to 3.9	+0.04
a [m]	Tolerance

PUR black, 3x0.25mm ²	21348081388XXX
Type of cable	Part no.

- Protection level: IP67
 - Temperature range: -25°C ... +80°C

All rights reserved Department HCS - RO HARTING Customised Solutions D-32339 Espelkamp	All Dimensions in mm Tech. Character. Free size tol. According to production drawing	Created by COSTEA Costea Inspected by MUNTEANV Muntean Standardisation MUNTEANV Muntean Date 2018-12-18 State Final Release	Title M8 Cable Assembly 3-poles st/st f/m Type TB Number 21348081388XXX	Doc-Key / ECM-Nr. 100809519/UGD/009/A 500000145064 Rev. A Page 1/1
---	---	---	---	--