

THIS DRAWING IS UNPUBLISHED. RELEASED FOR PUBLICATION FEB ,2006.  
 © COPYRIGHT 2006 BY TYCO ELECTRONICS CORPORATION. ALL RIGHTS RESERVED.

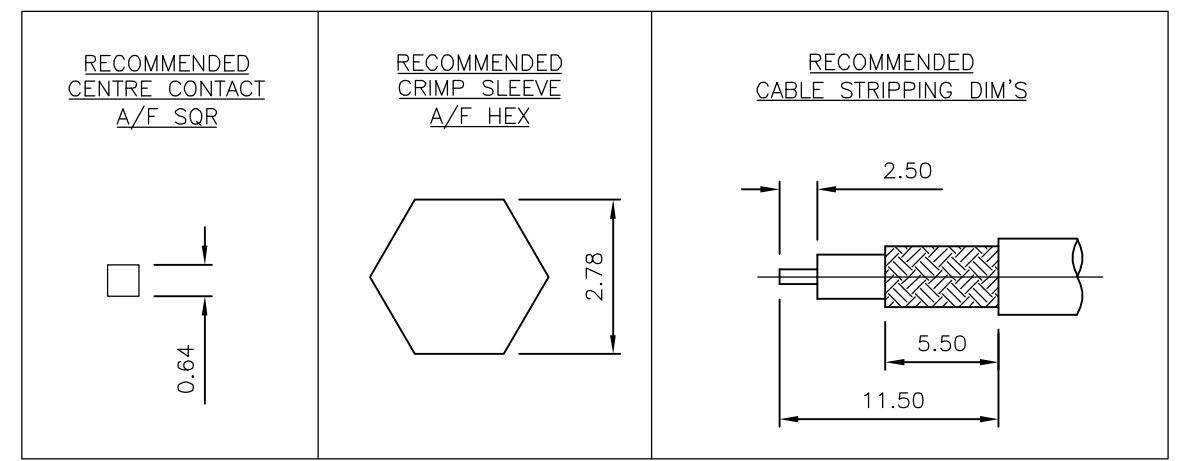
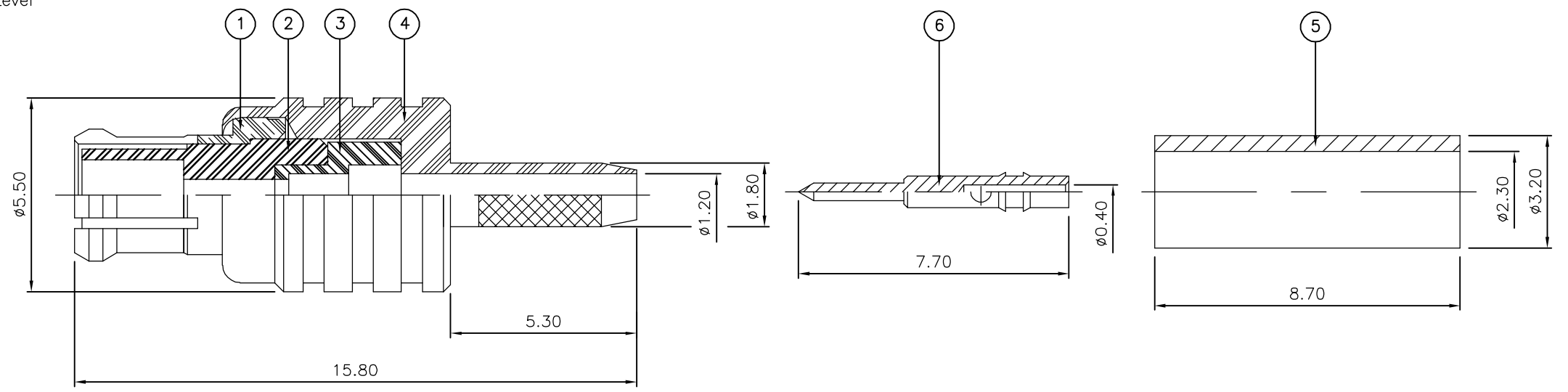
| LOC | DIST | REVISIONS   |               |         |         |
|-----|------|-------------|---------------|---------|---------|
| P   | LTR  | DESCRIPTION | DATE          | DWN     | APVD    |
| E   | B    | C           | ECR-06-002568 | 02FEB06 | JMS FWK |

- NOTES:
- 1 PACK IN ACCORDANCE WITH AMP SPEC 107-3275
  - 2 100 TRAY PACK IN ACCORDANCE WITH AMP SPEC 107-3275
  - 3 Au PLATING
  - 4 HAND TOOL : 9-1478240-0
  - 5 DIE SET : 9-1478248-0
  - 6 ELECTRICAL CHARACTERISTICS
 

|                                |                            |
|--------------------------------|----------------------------|
| FREQUENCY RANGE:               | DC - 6 GHz                 |
| NOMINAL IMPEDANCE:             | 50 Ohm                     |
| INSULATION RESISTANCE:         | 1000 MOhm                  |
| WORKING VOLTAGE:               | 335 Volts RMS at Sea Level |
| DIELECTRIC WITHSTAND VOLTAGE:  | 1000 Volts RMS Max         |
| CONTACT RESISTANCE:            |                            |
| CENTRE CONTACT:                | 5.00 mOhm Max              |
| OUTER CONTACT:                 | 1.00 mOhm Max              |
| VSWR @ 4GHz:                   | 1.35:1 Max                 |
| INSERTION LOSS dB @ x 1.0 GHz: | 0.10 Max                   |
  - 7 MECHANICAL CHARACTERISTICS
 

|                                   |                |
|-----------------------------------|----------------|
| COUPLING NUT RETENTION FORCE:     | N/A            |
| CABLE RETENTION FORCE:            |                |
| "RG174A/U, 188A/U, 316/U, URM95:" | 85N Min        |
| "RG178B/U, 196A/U:"               | 25N Min        |
| DURABILITY:                       | 500 Cycles Min |
  - 8 ENVIRONMENTAL CHARACTERISTICS
 

|                        |                  |
|------------------------|------------------|
| OPERATING TEMPERATURE: | -65 to +165 DegC |
|------------------------|------------------|



THIS DRAWING IS A CONTROLLED DOCUMENT.

|                       |  |
|-----------------------|--|
| DIMENSIONS:<br>mm     | TOLERANCES UNLESS OTHERWISE SPECIFIED: |
|                       | 0 PLC ± -                              |
|                       | 1 PLC ± -                              |
|                       | 2 PLC ± -                              |
|                       | 3 PLC ± -                              |
|                       | 4 PLC ± -                              |
|                       | ANGLES ± -                             |
| MATERIAL<br>SEE TABLE | FINISH<br>-                            |

|                  |                |         |
|------------------|----------------|---------|
| DWN              | J.SANDWELL     | 02FEB06 |
| CHK              | S.PARLOW       | 02FEB06 |
| APVD             | F.WHEELER-KING | 02FEB06 |
| PRODUCT SPEC     | -              | -       |
| APPLICATION SPEC | 411-3247       | -       |
| WEIGHT           | -              | -       |
| CUSTOMER DRAWING |                |         |

| QTY               | ASSEMBLY | MATERIAL         | DESCRIPTION | ITEM |
|-------------------|----------|------------------|-------------|------|
| 1                 | 1        | BRASS            | CONTACT     | 6    |
| 1                 | 1        | BRASS            | FERRULE     | 5    |
| 1                 | 1        | BRASS            | BODY        | 4    |
| 1                 | 1        | POLYPROPYLENE    | INSULATION  | 3    |
| 1                 | 1        | PTFE             | INSULATION  | 2    |
| 1                 | 1        | BERYLLIUM COPPER | CHASSIS     | 1    |
| 6--0              | 1--0     | MATERIAL         | DESCRIPTION | ITEM |
| △                 | △        |                  |             |      |
| QUANTITY PER ASSY |          |                  |             |      |
| PARTS LIST        |          |                  |             |      |

**tyco** Tyco Electronics Corporation  
**Electronics** Bideford EX39 4HE

NAME: MCX STRAIGHT PLUG CRIMP 50 OHM  
 RG178B/U, 196A/U, URM110

|      |           |            |               |
|------|-----------|------------|---------------|
| SIZE | CAGE CODE | DRAWING NO | RESTRICTED TO |
| A3   | 00779     | C-1337579  | -             |

SCALE: NTS SHEET: 1 OF 1 REV: C