

DRAWING MADE IN THIRD ANGLE PROJECTION

3

2

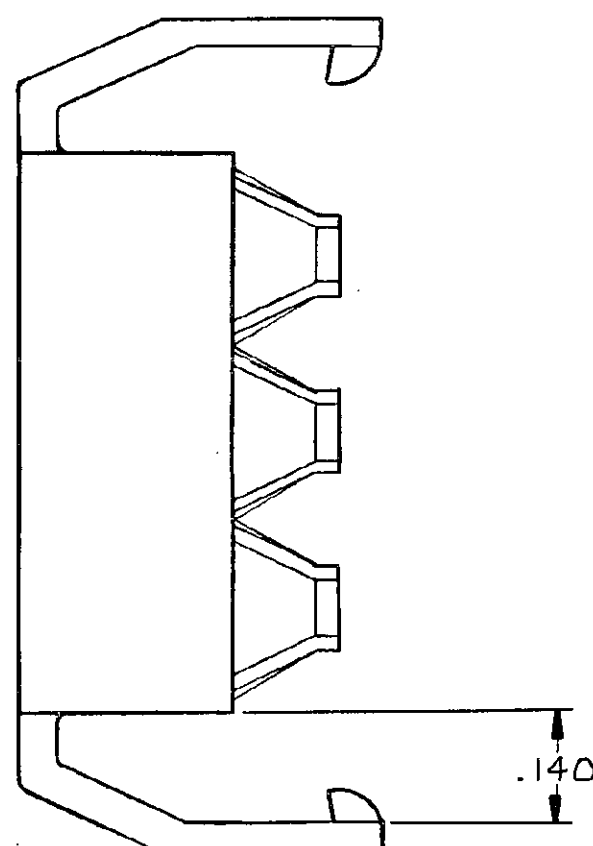
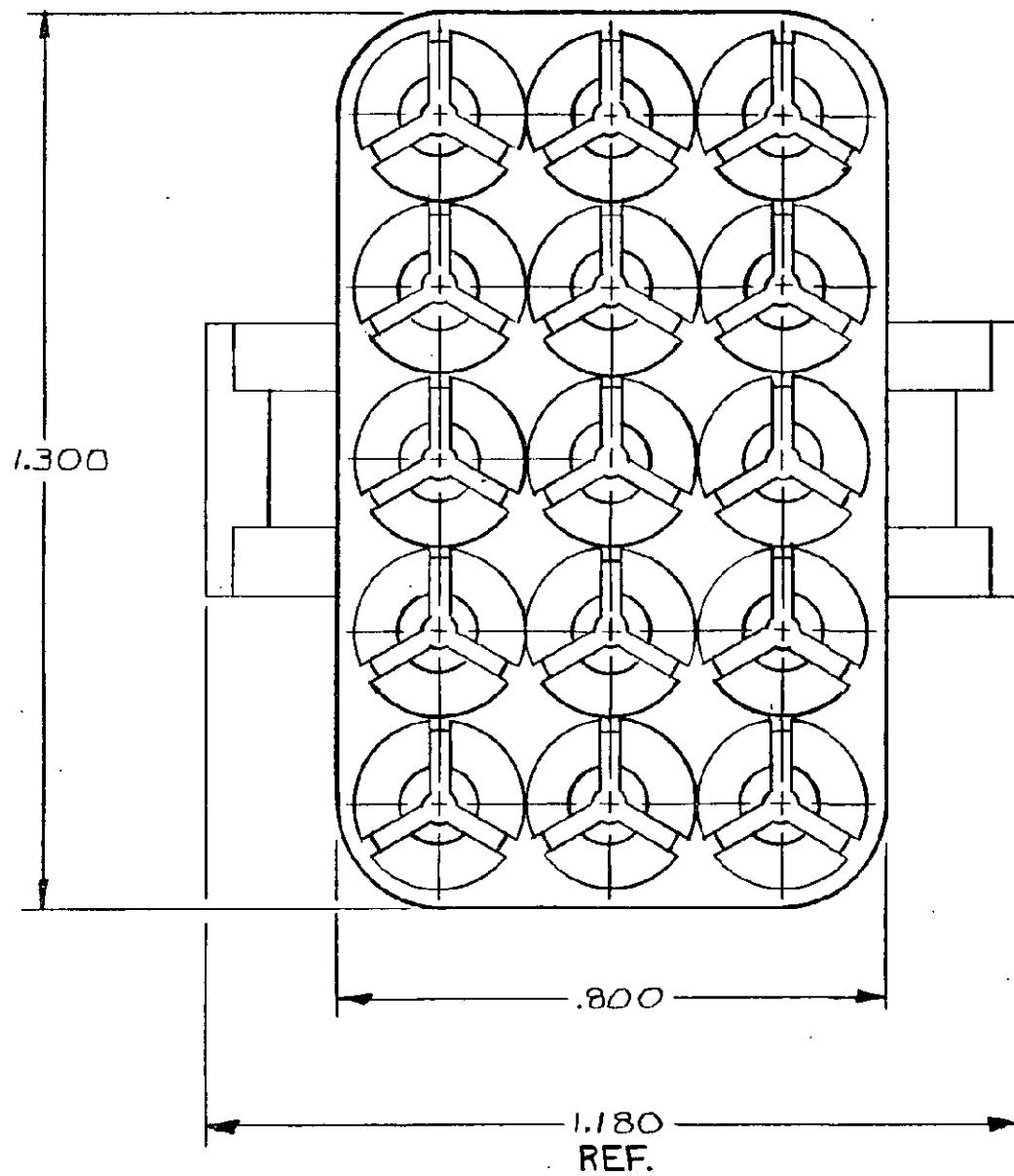
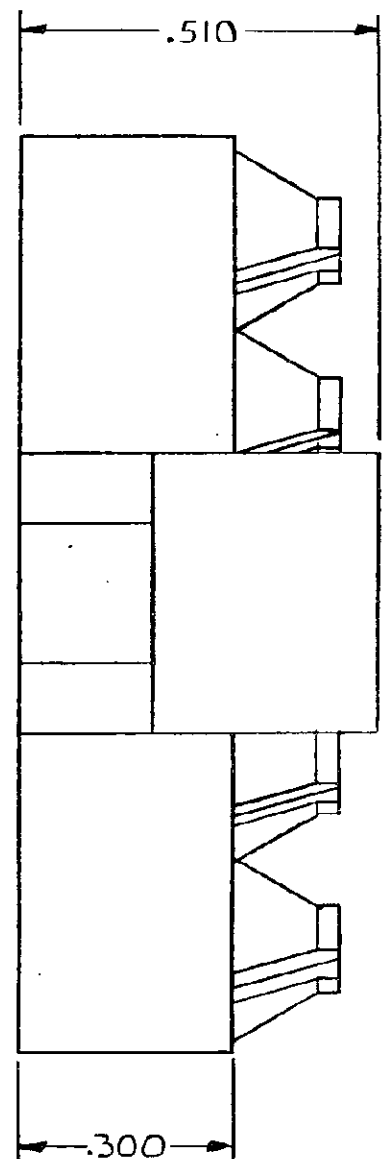
1

LOC DIST  
CM 53

THIS DRAWING IS UNPUBLISHED. RELEASED FOR PUBLICATION . 19  
 © COPYRIGHT 19 BY AMP INCORPORATED, HARRISBURG, PA. ALL INTERNATIONAL RIGHTS RESERVED. AMP PRODUCTS MAY BE COVERED BY U.S. AND FOREIGN PATENTS AND/OR PATENTS PENDING.

REVISIONS						
P	F	ZONE	LTR	DESCRIPTION	DATE	APPROVED
✓			O	RELEASE DRAWING PER T.I. 82-82	7-19-82	MSF / RS
✓			A	REVISED M-7087	9-8-82	D.H.
✓			B	REVISED NAME, M-7223	1/3/83	DAS / D.H.
✓			B1	RESTORATION	8-3-85	BT / RS
✓			C	REVISE PER CM-1282	10-26-87	PC / RS
✓			D	REVISE PER CM-1458	1-20-88	PC / RS
✓			E	REVISED PER CM 2704	1-30-90	TB / RS
✓			F	REV PER EC 0730-0054-95	3-30-95	JH / RS

124  
D  
C  
B  
A



- ASSEMBLY INSERTIONS:  
 SNAP MODULE ONTO HOUSING;  
 FULLY INSERT CONTACTS THRU MODULE AND INTO HOUSING (NOTE: SEVERAL CLICKS CAN BE HEARD AS THE CONTACT IS PUSHED IN PLACE);  
 DISENGAGE LATCHES ON MODULE AND SLIDE BACK FROM END OF HOUSING;  
 CHECK FOR ANY CONTACTS NOT FULLY INSERTED INTO HOUSING; INSERT ANY CONTACTS NOT LOCKED IN HOUSING;  
 PUSH MODULE BACK AGAINST HOUSING UNTIL LATCHES ARE ENGAGED.
- MODULE WILL ACCEPT MAXIMUM WIRE OUTSIDE DIA OF .160.

643256-1  
PART NO

UNLESS OTHERWISE SPECIFIED DIMENSIONS ARE IN INCHES. TOLERANCES ON: DECIMALS ±.015 ANGLES ±	CONTRACT NO	AMP   AMP INCORPORATED Harrisburg, Pa. 17105	
	DR <i>M. Fehan</i> 7-19-82	NAME ASSEMBLY MODULE, UNIVERSAL MATE-N-LOCK™, 15 CIRCUIT	
MATERIAL NYLON 94V-0	CHK <i>C. H. ...</i> 7-23-82	APPD <i>...</i> 7-26-82	DRAWING NO 643256
FINISH	DSGN APPD	OTHER APPD	SCALE 4-1
			SHEET