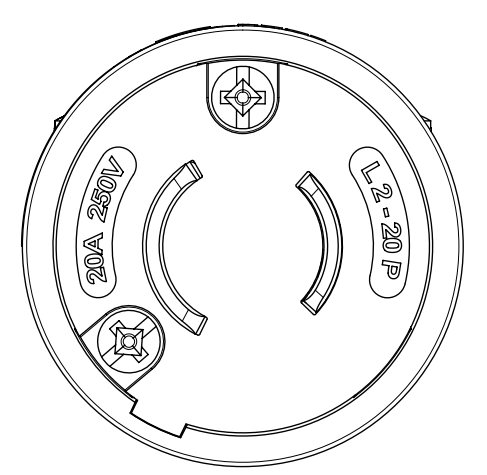
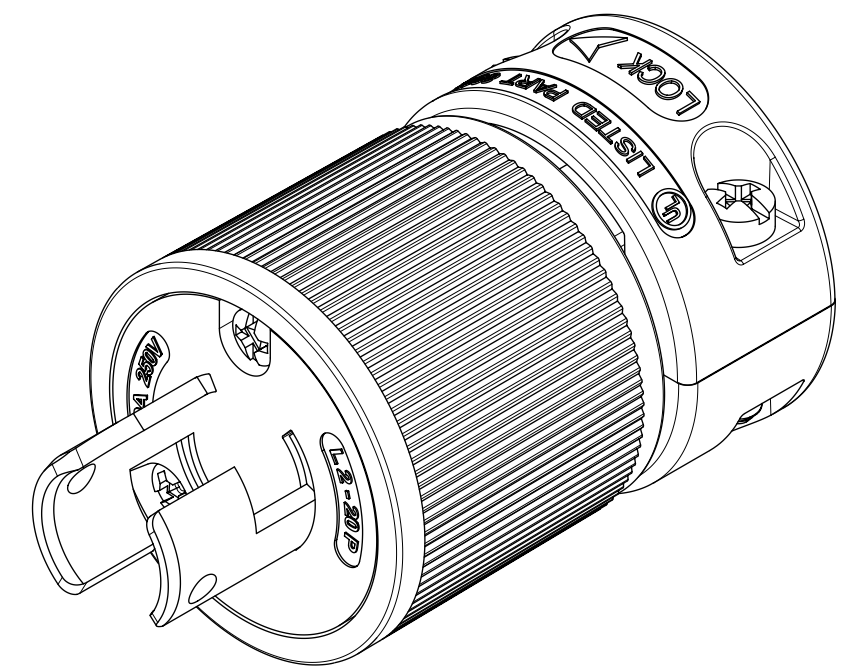
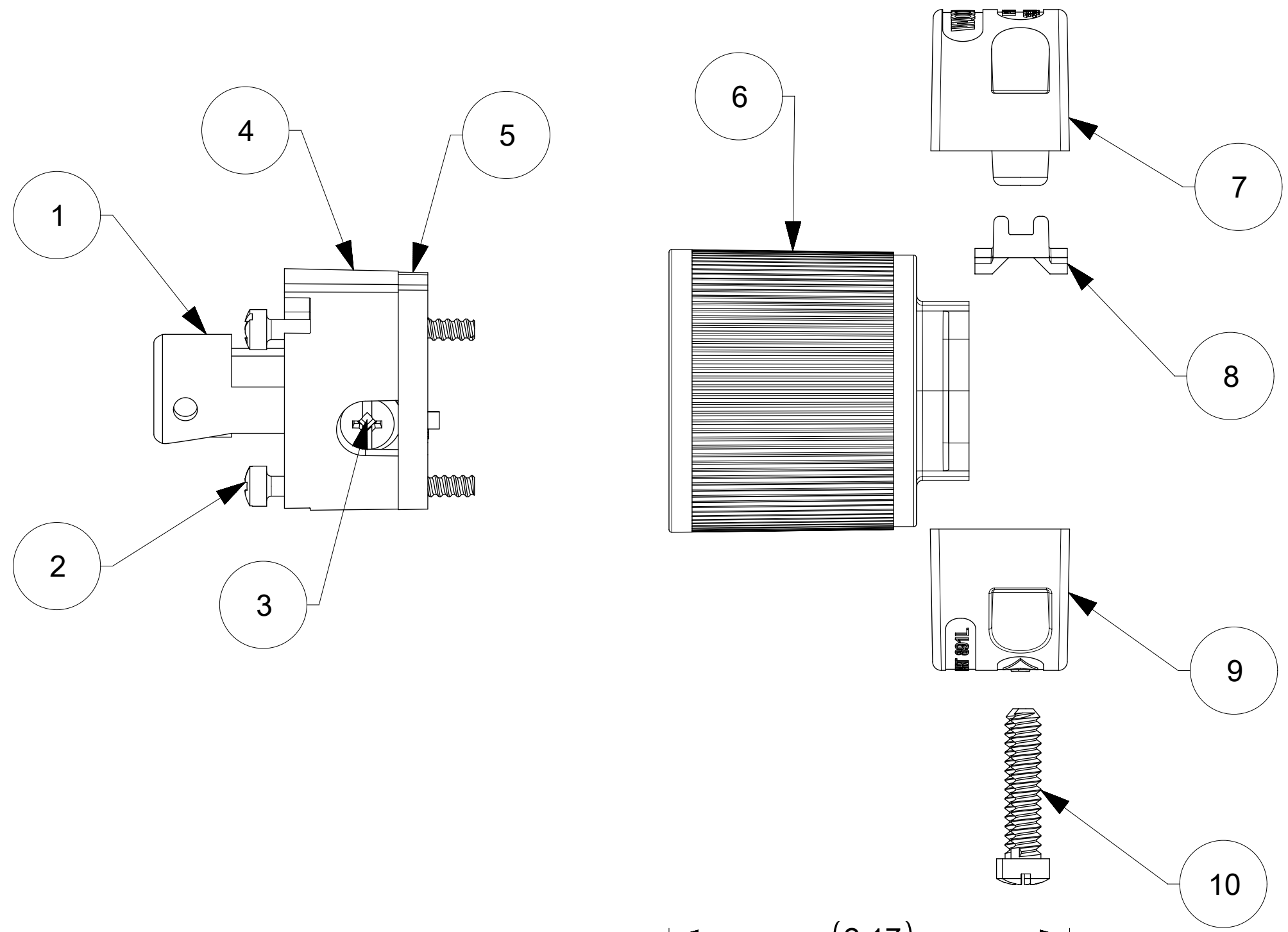
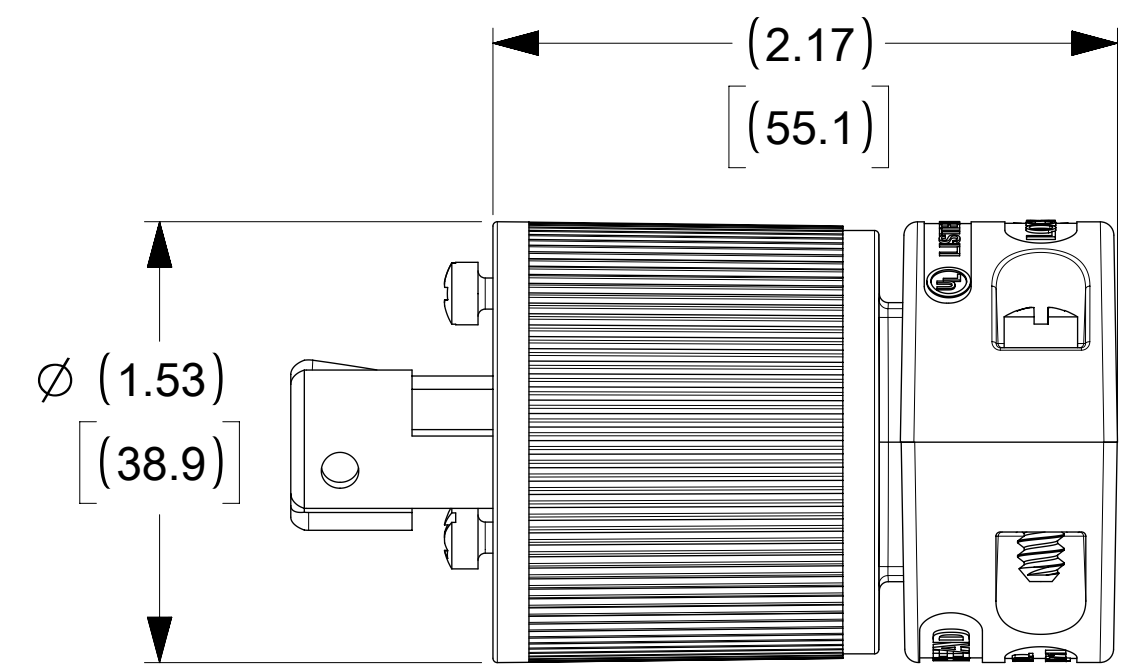


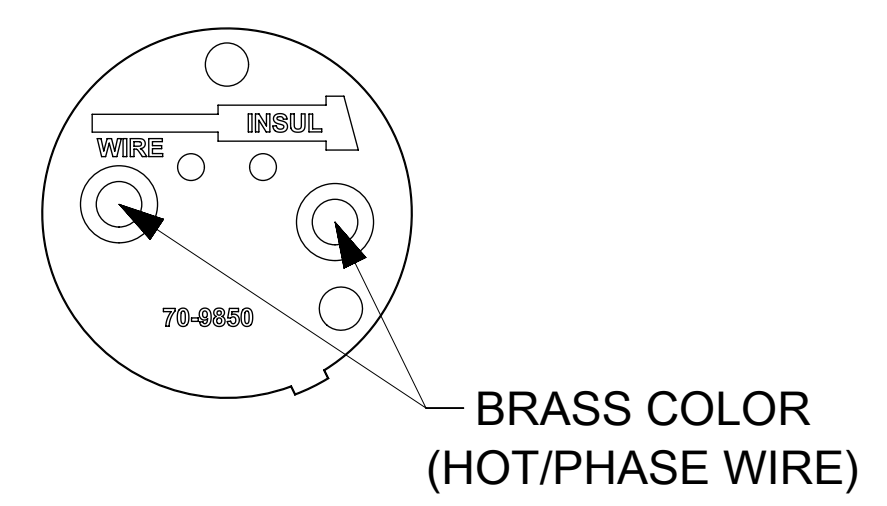
| | | |
|-------------|--------------|-------|
| ORDER NO. | WOODHEAD NO. | COLOR |
| 130144-0021 | 26T07 | BLACK |



FACE VIEW



WIRING TERMINATION



| ITEM NO. | DESCRIPTIONS | MATERIAL | QTY. |
|----------|--------------------------------|----------------------|------|
| 1 | BLADES | BRASS, NICKEL PLATED | 2 |
| 2 | RETAINING SCREWS | STAINLESS STEEL | 2 |
| 3 | TERMINAL SCREWS/CLAMP ASSEMBLY | BRASS, ZINC PLATED | 2 |
| 4 | INSERT | NYLON | 1 |
| 5 | TERMINAL COVER | POLYCARBONATE | 1 |
| 6 | HOUSING | NYLON | 1 |
| 7 | CLAMP CORD MALE | NYLON | 1 |
| 8 | CLAMP CORD INSERT | NYLON | 1 |
| 9 | CLAMP CORD FEMALE | NYLON | 1 |
| 10 | RETAINING SCREWS | STEEL, ZINC PLATED | 2 |

| | | | |
|---------|--|---|--------------------------------|
| SYMBOLS | | THIS DRAWING CONTAINS INFORMATION THAT IS PROPRIETARY TO MOLEX ELECTRONIC TECHNOLOGIES, LLC AND SHOULD NOT BE USED WITHOUT WRITTEN PERMISSION | |
| ▽ = 0 | DIMENSION UNITS | SCALE | CURRENT REV DESC: NEW RELEASE |
| ▽ = 0 | INCH[MM] | NTS | |
| ▽ = 0 | GENERAL TOLERANCES (UNLESS SPECIFIED) | | |
| ▽ = 0 | | MM | INCH |
| ▽ = 0 | 4 PLACES | ± | ± |
| ▽ = 0 | 3 PLACES | ± | ± |
| ▽ = 0 | 2 PLACES | ± | ± |
| ▽ = 0 | 1 PLACE | ± | ± |
| ▽ = 0 | 0 PLACES | ± | ± |
| ▽ = 0 | ANGULAR TOL | ± ° | |
| ▽ = 0 | DRAFT WHERE APPLICABLE MUST REMAIN WITHIN DIMENSIONS | THIRD ANGLE PROJECTION | DRAWING SERIES |
| | | | C-SIZE 130144 |
| | | EC NO: 621724 | |
| | | DRWN: VBASUTHKARP 2019/03/06 | |
| | | CHK'D: DNGUYEN62 2019/11/19 | |
| | | APPR: HKNEELAND 2020/02/05 | |
| | | INITIAL REVISION: | |
| | | DRWN: VBASUTHKARP 2019/03/06 | |
| | | APPR: HKNEELAND 2020/02/05 | |
| | | DOCUMENT NUMBER | DOC TYPE DOC PART REVISION |
| | | 1301440021 | PSD 000 A |
| | | MATERIAL NUMBER | CUSTOMER |
| | | SEE TABLE | GENERAL MARKET |
| | | | SHEET NUMBER |
| | | | 1 OF 1 |