

4

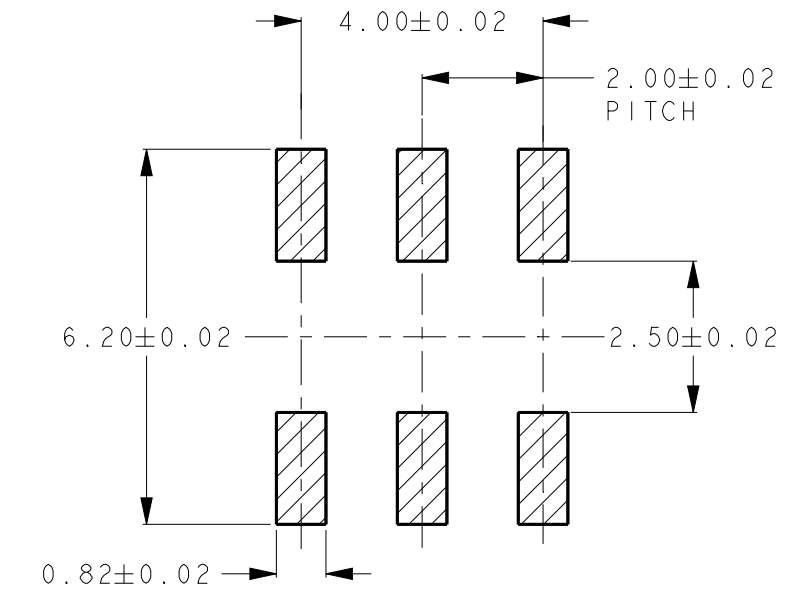
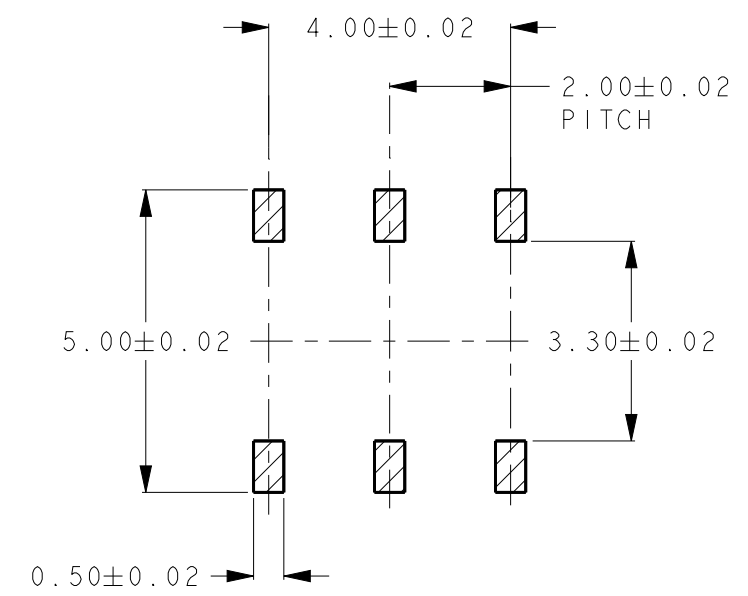
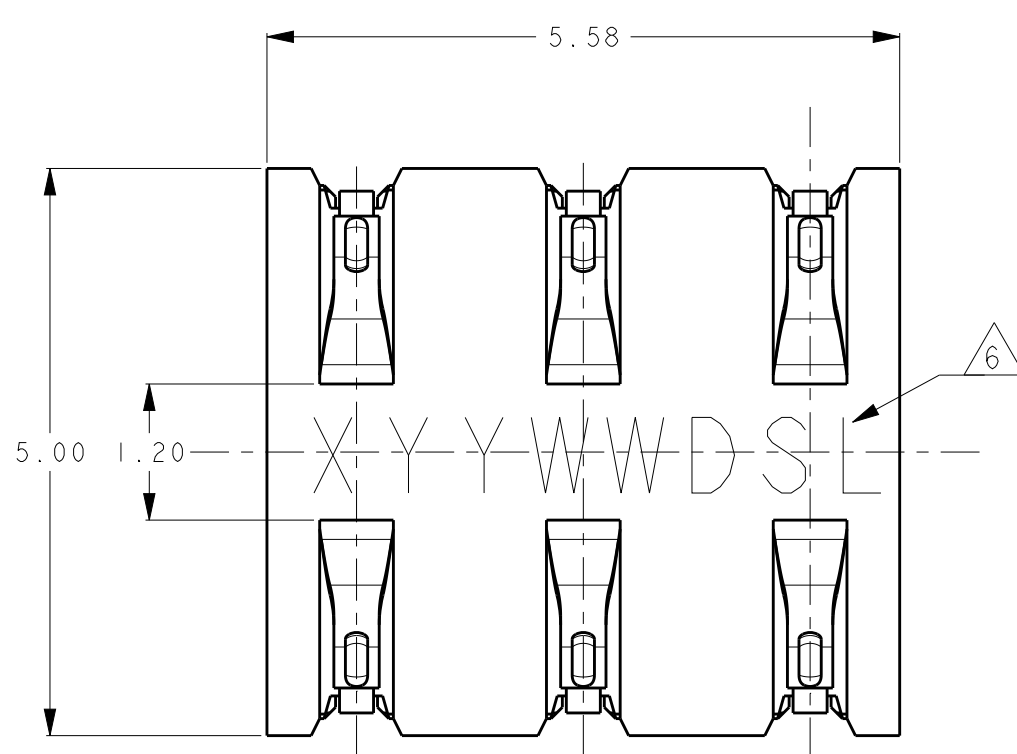
3

2

1

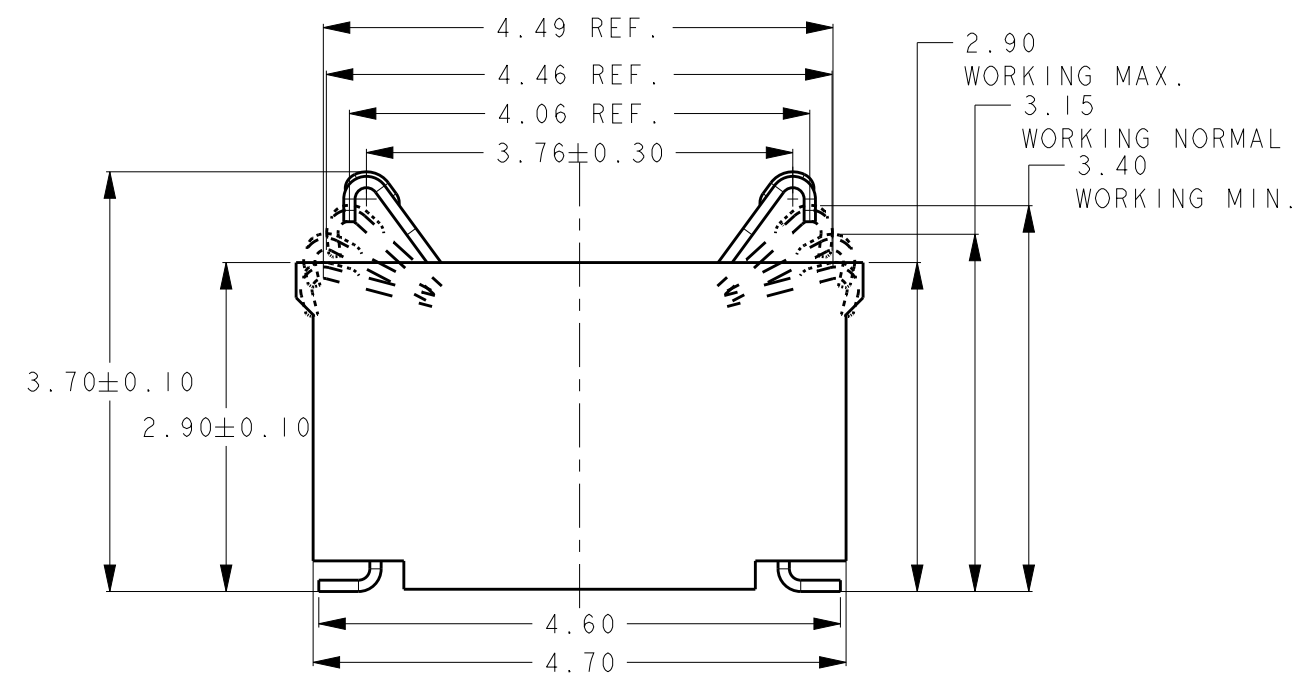
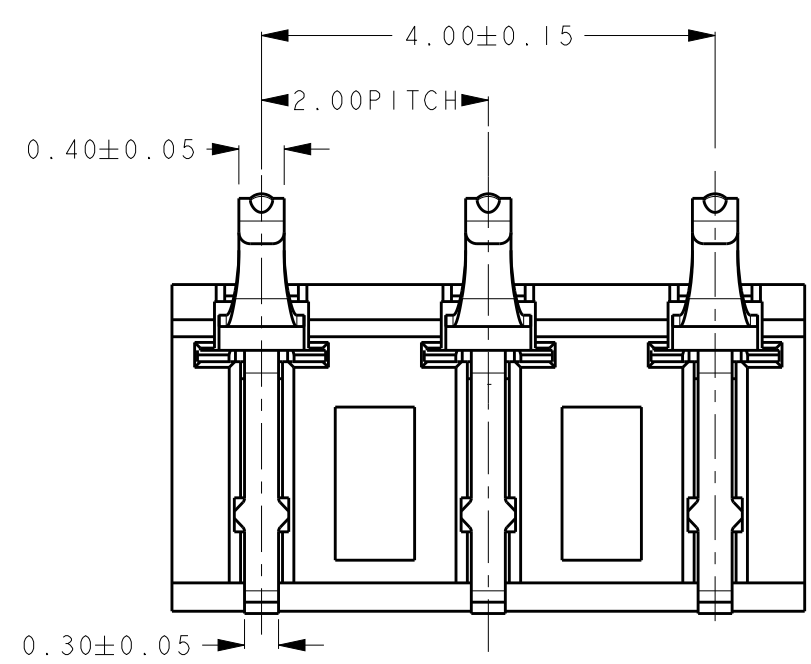
THIS DRAWING IS UNPUBLISHED. RELEASED FOR PUBLICATION 20
 © COPYRIGHT 20 ALL RIGHTS RESERVED.

LOC	DIST	REVISIONS			
P	LTR	DESCRIPTION	DATE	DWN	APVD
		A	INITIAL RELEASE	07FEB2020	K.G W.H



SCALE 8:1
 RECOMMEND SOLDERING PWB LAYOUT
 TOLERANCE: 0.05mm

SCALE 8:1
 RECOMMEND MATING LAYOUT
 TOLERANCE: 0.05mm



NOTES:
 2 TE PART NUMBER: 2199064-2
 MATERIAL
 TERMINAL: COPPER ALLOY, THICKNESS 0.10mm.
 HOUSING: HIGH TEMPERATURE THERMO PLASTIC
 UL94V-0 BLACK
 3 FINISH
 TERMINAL: 0.10-0.2 um GOLD PLATING ON CONTACT AREA,
 1.25 um MIN. NICKLE UNDER PLATING,
 GOLD FLASH PLATING ON SOLDERING AREA.
 4 COPLANARITY: 0.08 MAX. AMANG ALL SOLDER TAILS.
 5 PACKAGING: TAPE & REEL.
 6 DATE CODE: "XXYWDSL"
 VERSION NO. XX = VI
 FOR EXAMPLE: P1, VI, A1.
 P = PROTO TOOL; V = PRODUCTION TOOL; A = MASS APPROVED.
 YYWW = PRODUCTION DATE (YEAR, WEEK, DAY).
 S = SHIFT (D=DYA, N=NIGHT); L = LINE NUMBER.

THIS DRAWING IS A CONTROLLED DOCUMENT.

DIMENSIONS:	TOLERANCES UNLESS OTHERWISE SPECIFIED:
mm	± 0.20
	0 PLC ±
	1 PLC ±
	2 PLC ±
	3 PLC ±
	4 PLC ±
	ANGLES ±5°
MATERIAL	FINISH

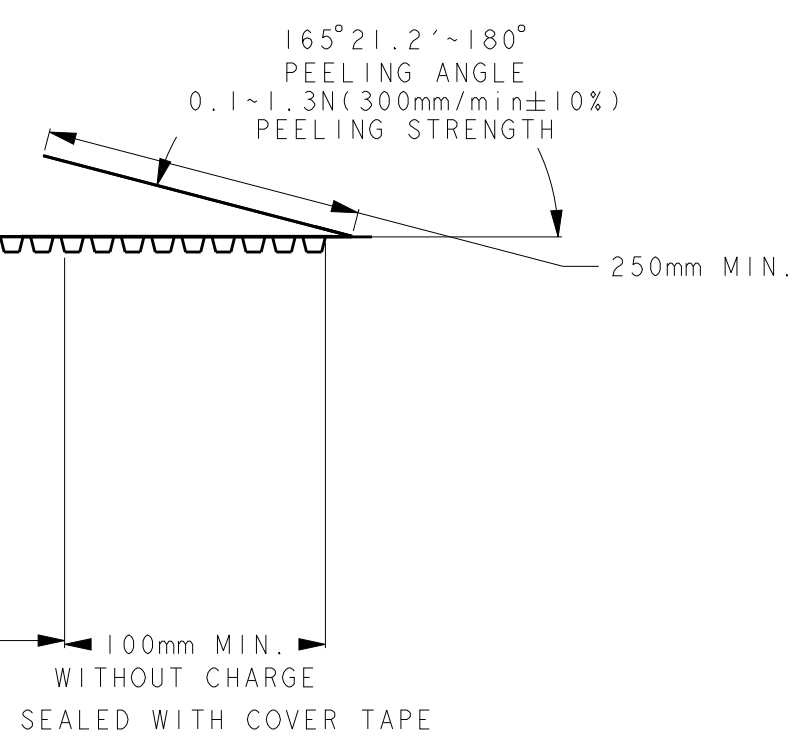
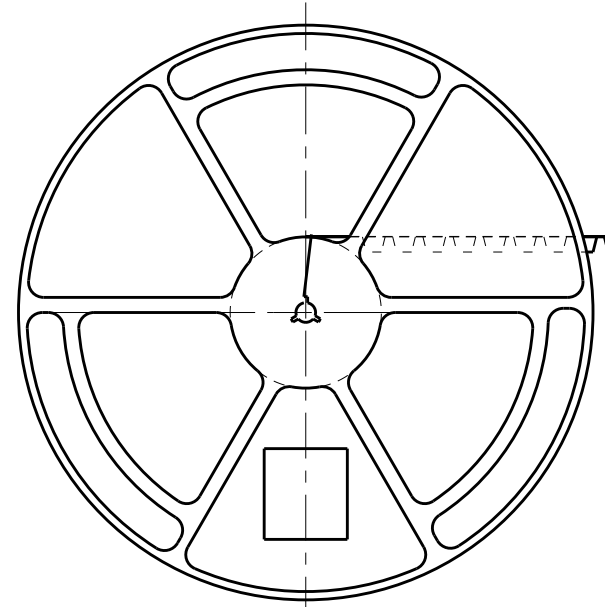
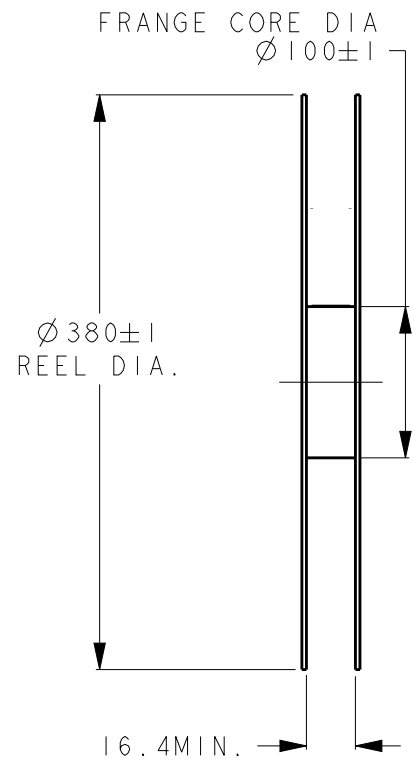
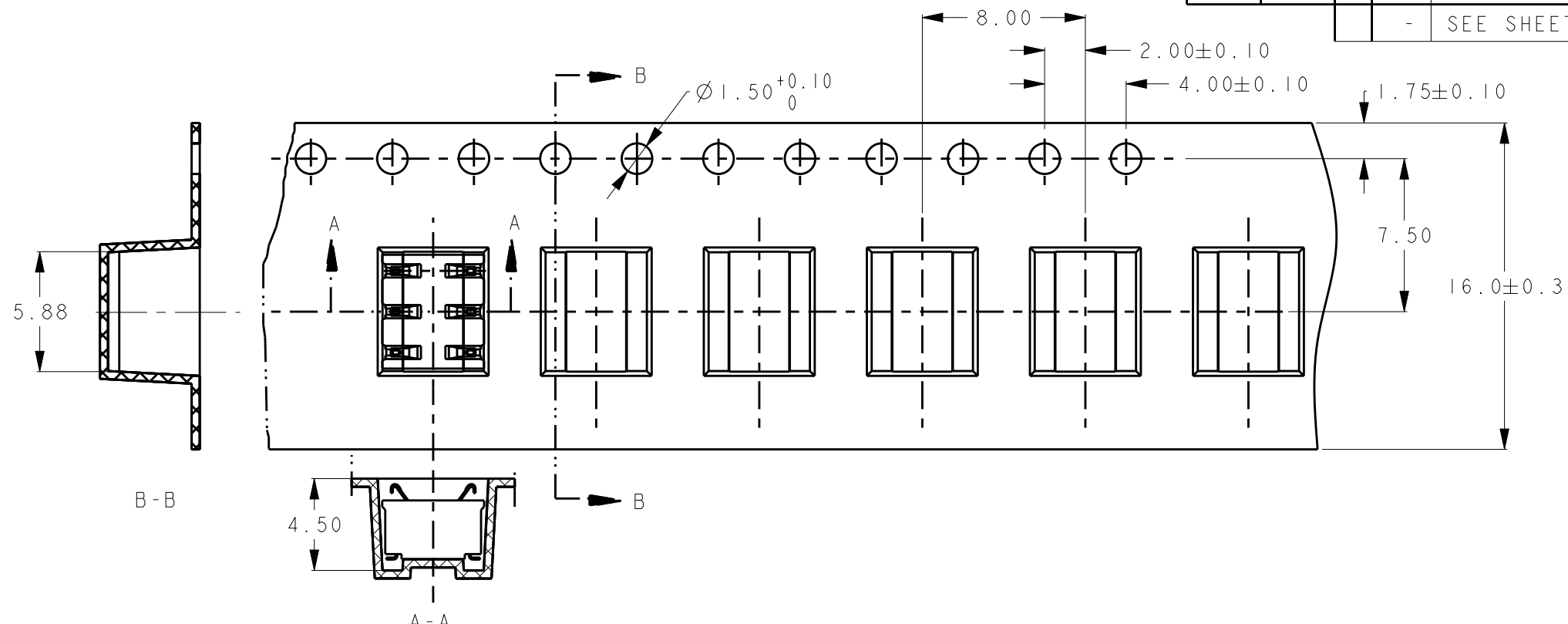
DWN	26MAR2013
RAY WANG	
CHK	26MAR2013
HE WENKE	
APVD	26MAR2013
STEVEN YAO	
PRODUCT SPEC	
108-115048	
APPLICATION SPEC	
-	
WEIGHT	0.108
CUSTOMER DRAWING	



ONE PIECE B to B CONNECTOR
 6 PINS, H3.15, TWO ROWS

SIZE	CAGE CODE	DRAWING NO	RESTRICTED TO
A300779	C=2199064		-
SCALE 20:1		SHEET 1 OF 1	REV A

SEE SHEET 1


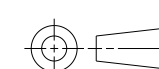


40mm MIN. WITHOUT CHARGE SEALED WITH COVER TAPE

WITH PRODUCT CHARGE 2400PCS

100mm MIN. WITHOUT CHARGE SEALED WITH COVER TAPE

- NOTES:
1. TAPE MATERIAL: P.S; THICKNESS 0.4mm.
 2. QUANTITY PER REEL: 2400PCS.

THIS DRAWING IS A CONTROLLED DOCUMENT.		DWN	26MAR2013	 TE Connectivity	NAME ONE PIECE BtoB CONNECTOR 6 PINS, H3.15, TWO ROWS
DIMENSIONS: mm		CHK	26MAR2013		
		APVD	26MAR2013		
TOLERANCES UNLESS OTHERWISE SPECIFIED: ±0.20		PRODUCT SPEC	-	SIZE	A300779
0-PLC ±		APPLICATION SPEC	-	CAGE CODE	C=2199064
1-PLC ±		WEIGHT	-	DRAWING NO	G=2199064
2-PLC ±		CUSTOMER DRAWING	-	RESTRICTED TO	-
3-PLC ±				SCALE	20:1
4-PLC ±				SHEET	2 OF 1
ANGLES ±5°				REV	2
MATERIAL					
FINISH					