

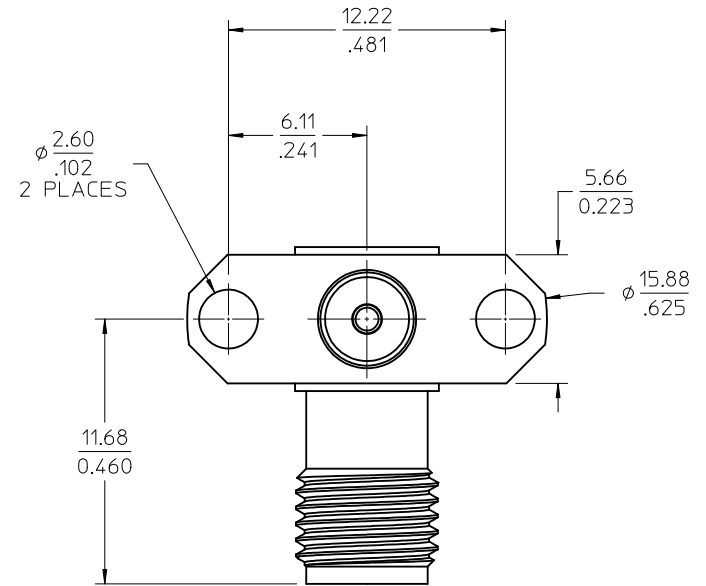
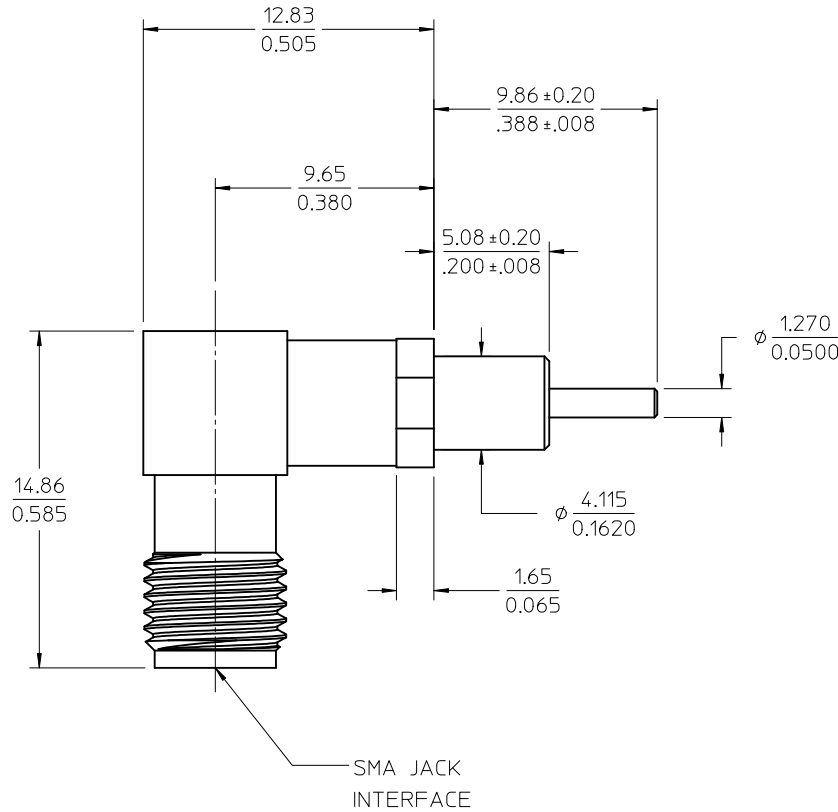
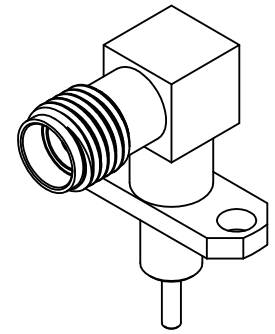
MATERIALS AND FINISHES

BODY: BRASS
PLATED GOLD

CENTER CONTACT: BERYLLIUM COPPER/BRASS
PLATED GOLD

INSULATORS TEFLON

CAP: BRASS
PLATED GOLD



PART # 73251-3750

MIL-STD-348A, FIG. 310.2	INTERFACE
SPECIFICATION	DESCRIPTION

CHG: UPDATED VIEW OF REVISED REAR CONTACT. EC NO: URF2011-0218 DRWN:ROBERTSON 2010/10/14 CHKD:SSS APPR:JWIENER 2010/10/25	QUALITY SYMBOLS ▽=0 ▽=0	GENERAL TOLERANCES (UNLESS SPECIFIED) 4 PLACES ± .001 3 PLACES ± .005 2 PLACES ± .01 1 PLACE ± .1 ANGULAR ± 1/2°	DIMENSION STYLE MM/IN	SCALE INCH	DESIGN UNITS INCH	THIRD ANGLE PROJECTION	
	DRAWN BY AZR	DATE 2009/05/19	CHECKED BY SSS	DATE 2009/05/19	TITLE SMA JACK RA 2 HOLE FLANGE CANDLESTICK SMA-JR/RA, EWR-4108		
	APPROVED BY JWIENER	DATE 2010/10/25	MATERIAL NO. 732513750			DOCUMENT NO. SD-73251-375	SHEET NO. 1 OF 1
	DRAFT WHERE APPLICABLE MUST REMAIN WITHIN DIMENSIONS						THIS DRAWING CONTAINS INFORMATION THAT IS PROPRIETARY TO MOLEX INCORPORATED AND SHOULD NOT BE USED WITHOUT WRITTEN PERMISSION