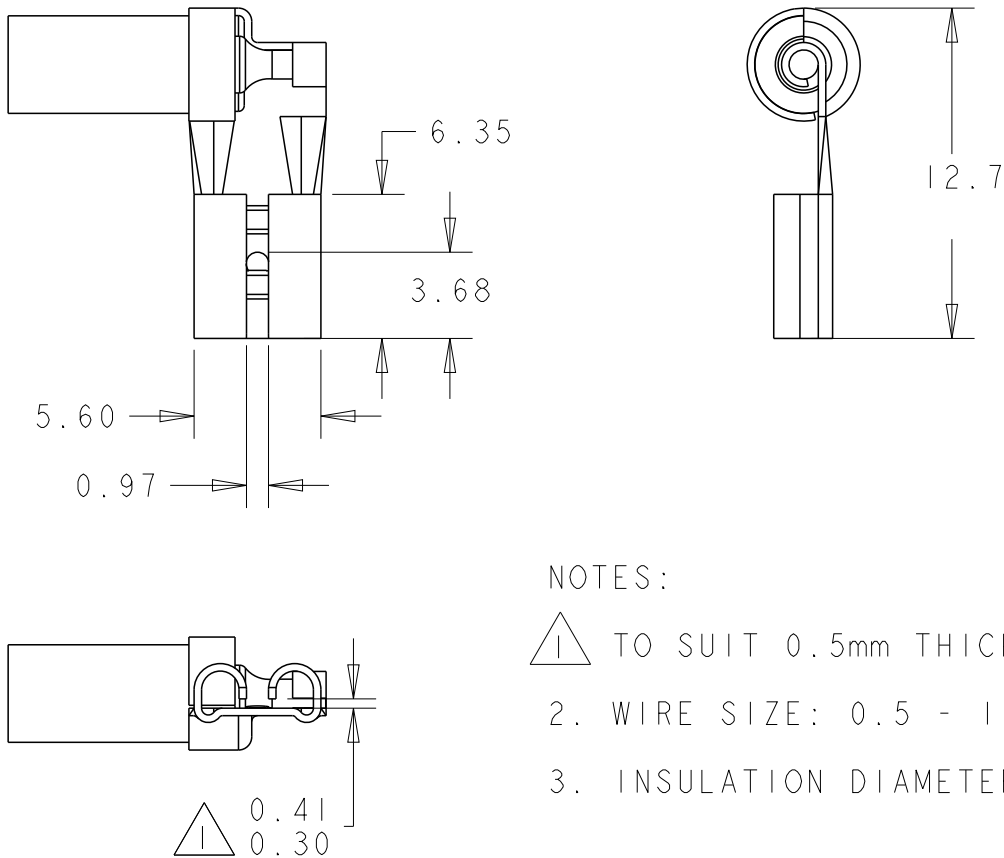


REVISIONS					
P	LTR	DESCRIPTION	DATE	DWN	APVD
	A	REDRAWN	29NOV2005	MJG	JA
	AI	REVISED PER ECR-14-017731	27NOV2014	NK	DC



- NOTES:
- 1 TO SUIT 0.5mm THICK TAB
 2. WIRE SIZE: 0.5 - 1.5mm²
 3. INSULATION DIAMETER: 2.8 - 4.3

ELECTROPLATED TIN	Ph Bz	150634-2
NONE	Ph Bz	150634-1
FINISH	MATERIAL	PART NO

20

RELEASED FOR PUBLICATION

ALL RIGHTS RESERVED.

THIS DRAWING IS UNPUBLISHED.

BY -

© COPYRIGHT 20

DIMENSIONS: mm	DWN M. GREENER	29NOV2005	MATERIAL	-	FINISH	-	
	CHK J. AMBROSE	29NOV2005	TE Connectivity				
TOLERANCES UNLESS OTHERWISE SPECIFIED:	APVD F. WHEELER-KING	29NOV2005					NAME .187 SERIES FLAG FASTON RECEPTACLE
	0 PLC ±0.25 1 PLC ±0.25 2 PLC ±0.25 3 PLC ±- 4 PLC ±- ANGLES ±1°	PRODUCT SPEC 108-5067	APPLICATION SPEC -	SIZE A4	CAGE CODE 00779	DRAWING NO C-150634	RESTRICTED TO -
	WEIGHT -		Customer Drawing		SCALE 2:1	SHEET 1 OF 1	REV A1