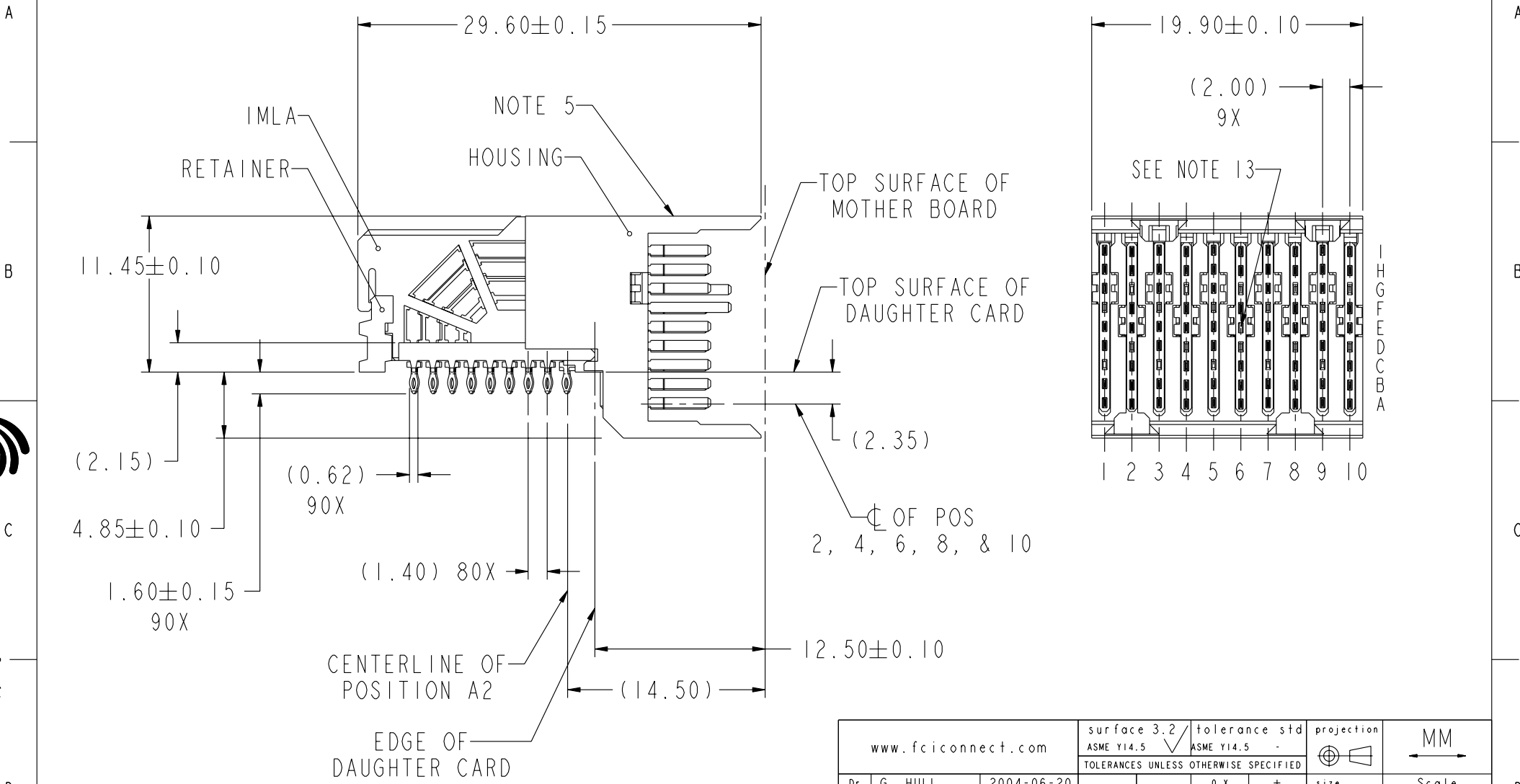


PRODUCT NUMBER
SEE TABLE, SHEET 5



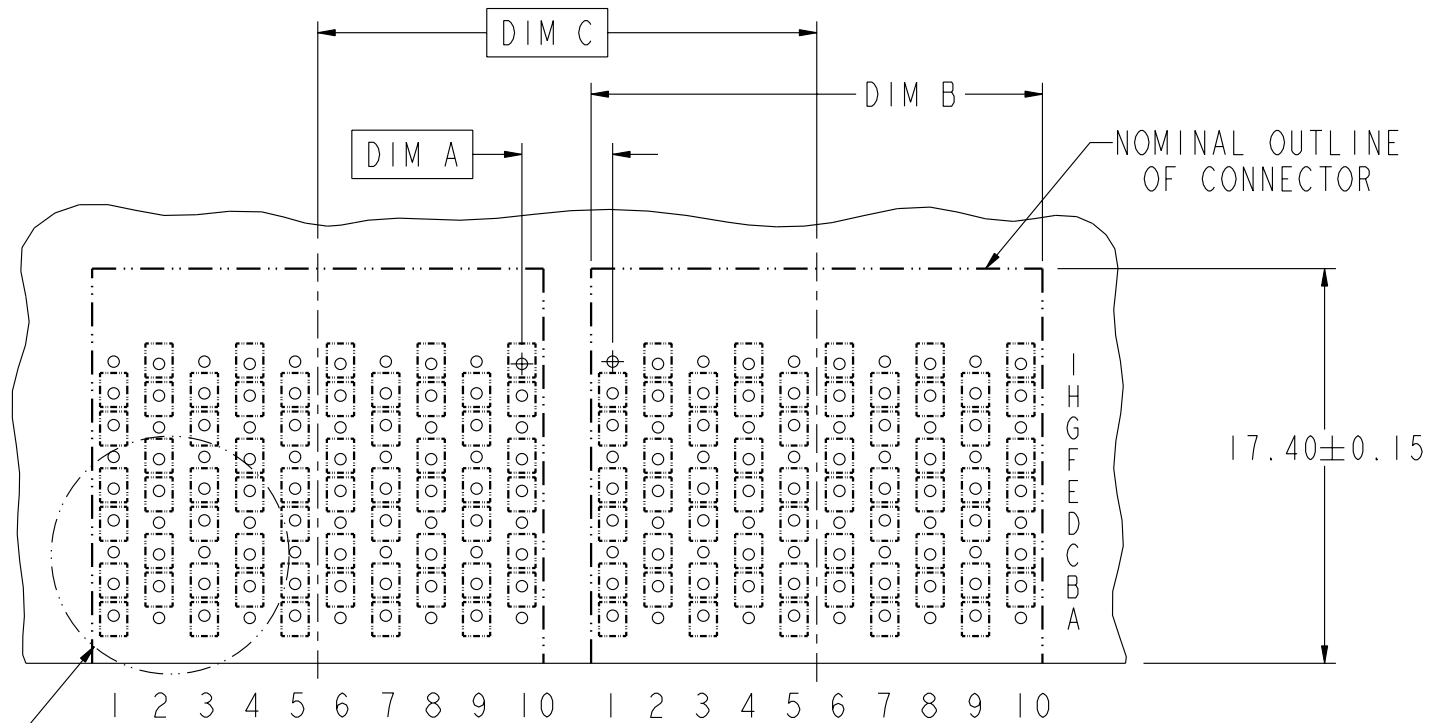
Copyright FCI.

rev	ecn no	dr	date
A	V05-0461	LRJ	2005-02-24
B	V06-0209	LRJ	2006-03-01
C	V06-0531	SCS	2006-06-07
D	S06-0374	DG	2006-12-21
-	-	-	-
-	-	-	-
-	-	-	-

www.fciconnect.com		surface 3.2 ASME Y14.5	tolerance std ASME Y14.5	projection MM
		TOLERANCES UNLESS OTHERWISE SPECIFIED		Scale 5:2
Dr	G. HULL	2004-06-20	ANGULAR	size A4
Eng	S. MINICH	2004-06-20	LINEAR	ECN ***
Chr	C. H. TAN	2006-12-21	0° ±°	Product family AirMax VS
Appr	JOEY NG	2006-12-21	0.X ±	Spec ref
		0.XX ±	0.XXX ±	dwg no 10034264
FCI		AirMax VS R/A HEADER ASSY		Rev. D
		PRESS-FIT, 90 POS, 20MM		sheet 1 of 5
		catalog no	CUSTOMER	

REV F - 2006-04-17

DESCRIPTION	DIM A	DIM B	DIM C
2-20MM MODULES PLACED END-TO-END	2.00	19.90 2X	20.00
1-20MM MODULE & 1-22MM MODULE PLACED END-TO-END	3.00	19.90 1X & 21.90 1X	21.00



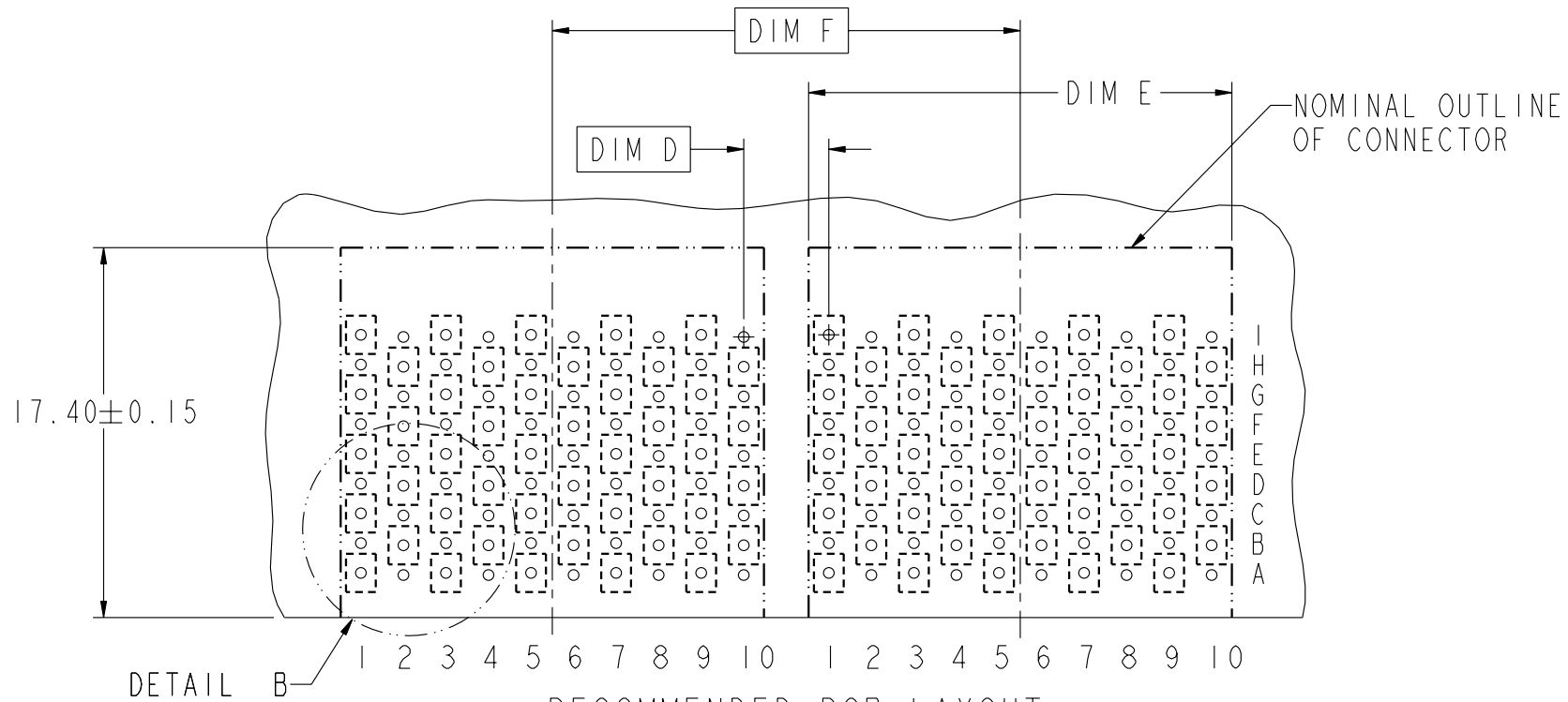
DETAIL A

RECOMMENDED PCB LAYOUT
FOR DIFFERENTIAL APPLICATIONS
COMPONENT SIDE
(TWO ADJACENT FOOTPRINTS SHOWN)
NOTES 6 & 7

	title AirMax VS R/A HEADER ASSY PRESS-FIT, 90 POS, 20MM	dwg no 10034264	Rev. D
	catalog no -	CUSTOMER	sheet 2 of 5



DESCRIPTION	DIM D	DIM E	DIM F
2-20MM MODULES PLACED END-TO-END	2.00	19.90 2X	20.00
1-20MM MODULE & 1-22MM MODULE PLACED END-TO-END	3.00	19.90 1X & 21.90 1X	21.00



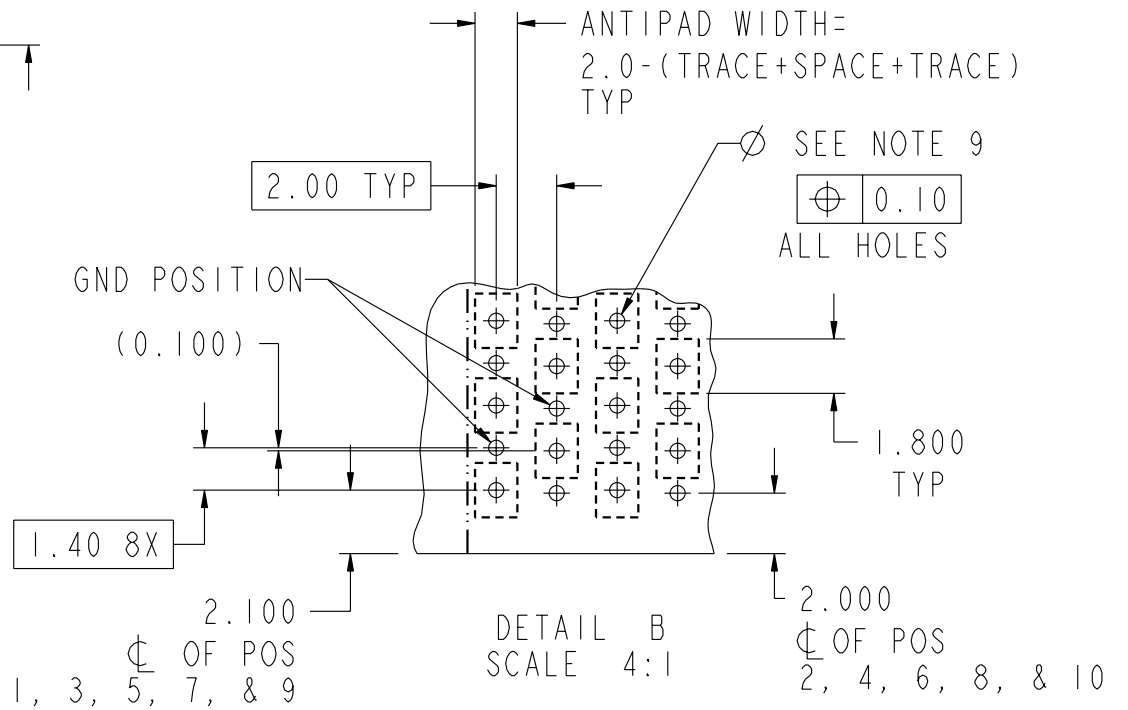
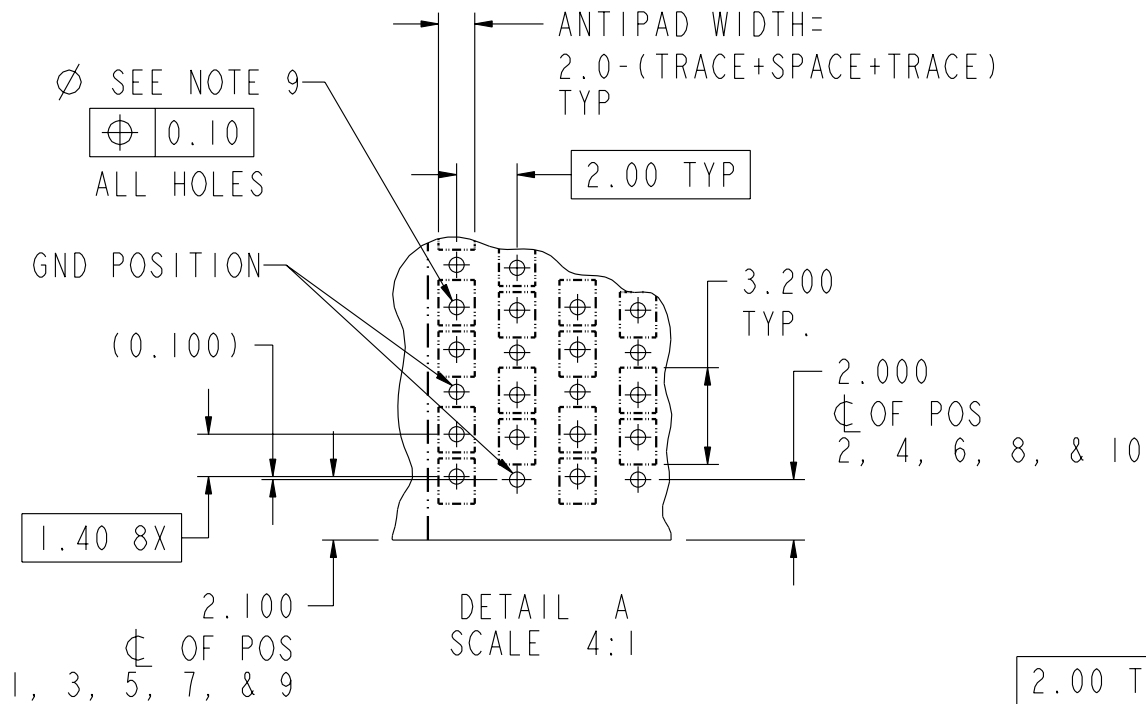
RECOMMENDED PCB LAYOUT
FOR SINGLE ENDED APPLICATIONS
COMPONENT SIDE
(TWO ADJACENT FOOTPRINTS SHOWN)
NOTES 6 & 7

	AirMax VS R/A HEADER ASSY PRESS-FIT, 90 POS, 20MM	dwg no 10034264	Rev. D
	catalog no -	CUSTOMER	sheet 3 of 5





Copyright FCI.



PART NUMBER	PRESS-FIT TAIL PLATING TYPE	SHORT DETECT CONTACT
10034264-101	TIN/LEAD ALLOY OVER NICKEL	NO
10034264-101LF	TIN OVER NICKEL (LEAD FREE)	
10034264-111	TIN/LEAD ALLOY OVER NICKEL	YES (SEE NOTE 13)
10034264-111LF	TIN OVER NICKEL (LEAD FREE)	

NOTES:

1. CONNECTOR MATERIALS:
 HOUSING & RETAINER: HIGH TEMP THERMOPLASTIC, NATURAL, UL94V-0
 IMLA PLASTIC: HIGH TEMP THERMOPLASTIC, BLACK, UL94V-0
 CONTACT: COPPER ALLOY

2. CONTACT PLATING:
 SEPARABLE INTERFACE:
 PERFORMANCE-BASED PLATING, QUALIFIED TO MEET THE REQUIREMENTS OF FCI PRODUCT SPECIFICATION GS-12-239 INCLUDING TELCORDIA GR-1217-CORE (NOVEMBER 1995) CENTRAL OFFICE TEST SEQUENCE

PRESS-FIT TAILS: SEE TABLE

3. PRODUCT SPECIFICATION: GS-12-239

4. APPLICATION SPECIFICATION: GS-20-035

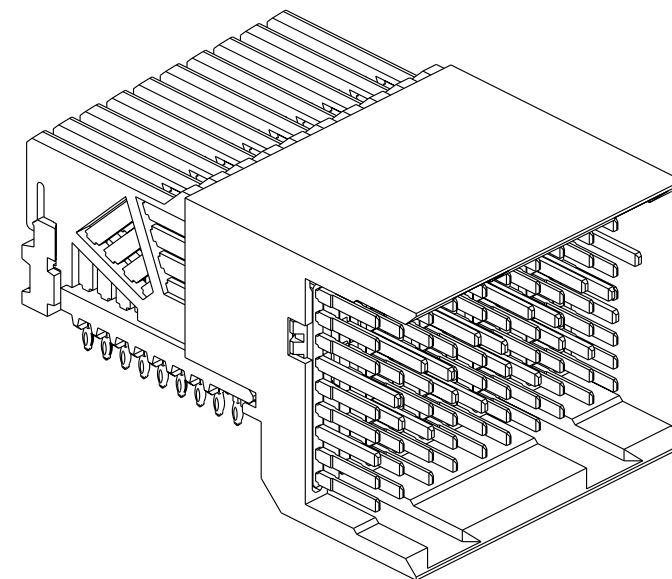
5. PRODUCT MARKING, (PART NUMBER & LOT CODE), ON THIS SURFACE

6. REFER TO CUSTOMER DRAWING 10035911 FOR INFORMATION REGARDING PCB LAYOUT OF POWER AND GUIDE MODULES RELATIVE TO SIGNAL MODULES

7. POSITIONS F OF ODD NUMBERED COLUMNS AND POSITIONS G OF EVEN NUMBERED COLUMNS CORRESPOND TO EARLY MATE HEADER PINS

8. THERE IS NO GROUND BUSSING WITHIN THE CONNECTOR SYSTEM

9. REFER TO CUSTOMER DRAWING 10045979 FOR INFORMATION ON PCB HOLE DIAMETERS AND PLATING OPTIONS.



10. LEAD FREE PRODUCT MEETS EUROPEAN UNION DIRECTIVES AND OTHER COUNTRY REGULATIONS AS DESCRIBED IN GS-22-008.

11. THE HOUSING WILL WITHSTAND EXPOSURE TO 260°C PEAK TEMPERATURE FOR 40 SECONDS IN A CONVECTION, INFRA-RED OR VAPOR PHASE REFLOW OVEN.

12. PACKAGING MEETS GS-14-920 LEAD FREE LABELING SPECIFICATION.

13. MATING PIN E6 HAS 0.5mm LESS NOMINAL WIPE THAN THE SHORTEST SIGNAL PIN.

Copyright FCI.

FCI	title	AirMax VS R/A HEADER ASSY	dwg no	10034264	Rev.	D
	catalog no	PRESS-FIT, 90 POS, 20MM	-	CUSTOMER	sheet 5 of 5	