

# 08015SS

80<sup>□</sup>X15<sup>L</sup>

## DC Axial Fan Sleeve Bearing

### General Specifications

Motor Protection Auto Restart / Polarity Protection

Insulation Resistance 10MΩ or over with a DC500V Megger

Dielectric Withstand Voltage : AC700V 1s

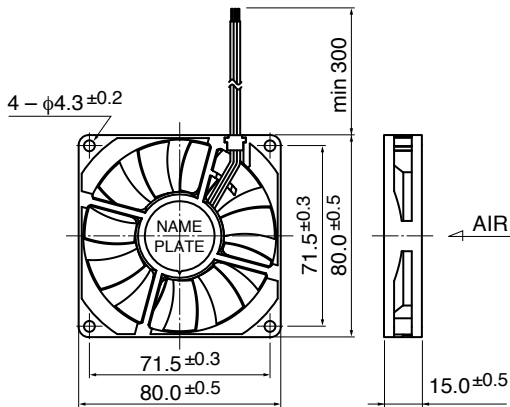
Allowable Ambient : L M class : -10°C ~ +70°C (Operating)

Temperature Range N class : -10°C ~ +60°C (Operating)

-40°C ~ +70°C (Storage)  
non-condensing environment



### Outline



### Expected Life

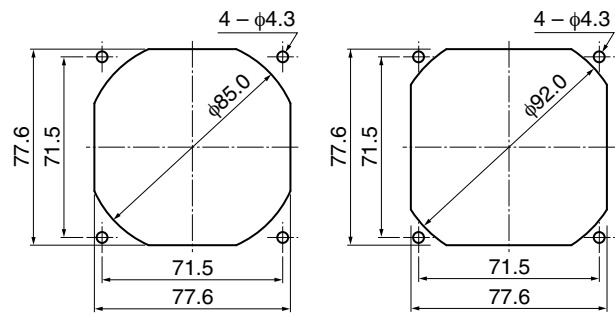
※ Failure Rate: 10% (L10 Life)

40°C 40,000 (Hours)

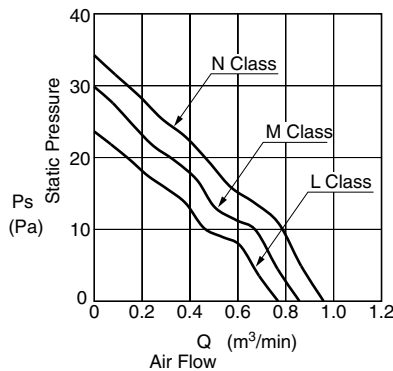
### Panel Out-cuts

(Inlet Side)

(Outlet Side)



### Characteristic Curves



### Material

Casing : Plastic (Black) UL94V-0  
Impeller : Plastic (Black) UL94V-0  
Bearing : Sleeve Bearing  
Lead Wire : UL1007 AWG26 + : Red, - : Black

### Specifications

Model	Product No.	Rating Voltage	Operating Voltage	Current	Input Power	Speed	Max. Air Flow		Max. Static Pressure	Noise	Mass	
		(V)	(V)	(A)*1	(W)*1	(min <sup>-1</sup> )*1	(m <sup>3</sup> /min)*1	(CFM)*1	(Pa)*1	(In H <sub>2</sub> O)*1	(dB)*1	(g)
08015SS-12L-AA-	00	12	6.0 ~ 13.8	0.11	1.32	2500	0.76	26.8	23.5	0.09	27.5	55
08015SS-12M-AA-	00			0.15	1.80	2800	0.85	30.0	29.5	0.12	31.0	
08015SS-12N-AA-	00			0.21	2.52	3100	0.96	33.9	34.2	0.14	34.0	
08015SS-24L-AA-	00	24	12.0 ~ 27.6	0.07	1.68	2500	0.76	26.8	23.5	0.09	27.5	
08015SS-24M-AA-	00			0.10	2.40	2800	0.85	30.0	29.5	0.12	31.0	
08015SS-24N-AA-	00			0.12	2.88	3100	0.96	33.9	34.2	0.14	34.0	

Rotation: Clockwise as seen from the label side  
Airflow Outlet: Label side

\*1: Average Values in Free Air