

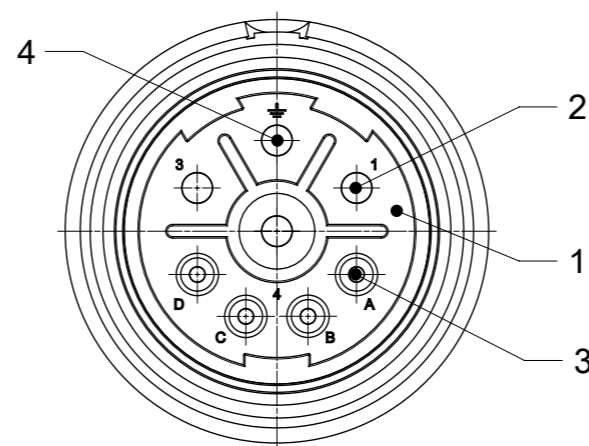
Technical Data:

Number of positions	4 + 3 + PE	
Number of contacts	4	4
Contact Ø [mm]	1	2
Nominal current [A]	12	18
Nominal voltage [V~]	300	600
Degree of pollution 3		
Test voltage [V~]	2500	4000
Max. contact resistance [mΩ]	3	
Insulation resistance [MΩ]	> 10 ¹³	
Protection	IP 67 (connected)	
Temperature range fixed	-25°C to +85°C	

Further technical data see Product Specification PS-120480-001.
Electrical Test acc. PS-120480-001.

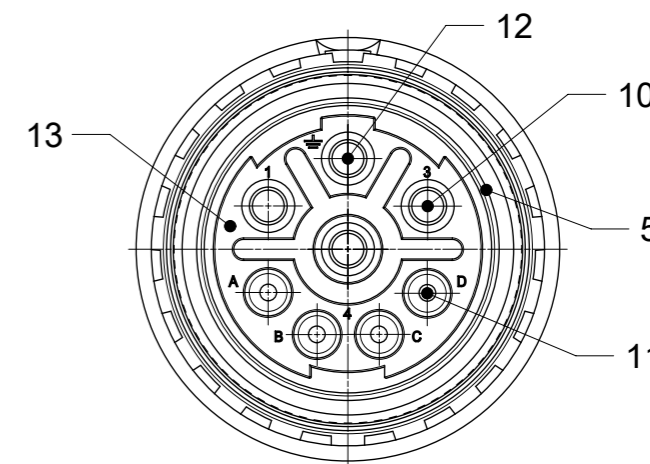
Packaging:
The cordsets delivered packed into carton without PE-bag.

Connector pin assignment
Plug M23 4+3+PE MA



SCALE 2:1

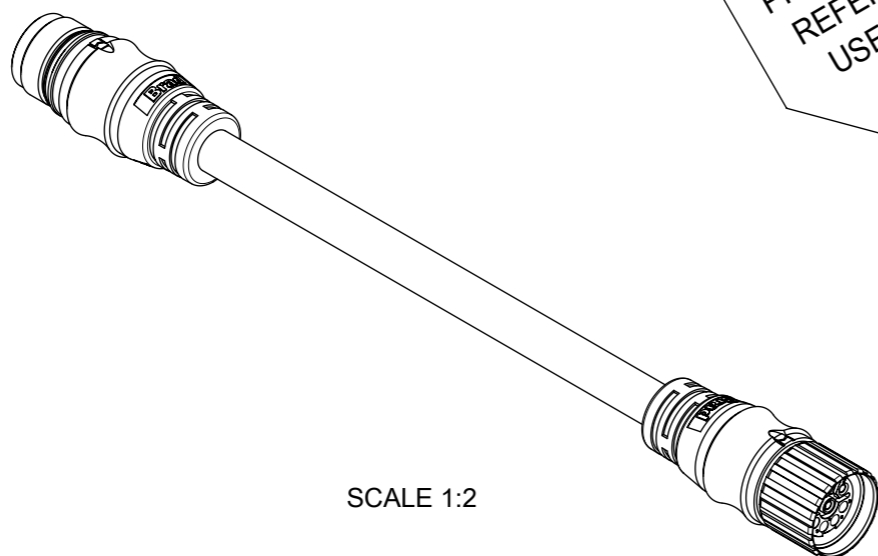
Connector pin assignment
Plug M23 4+3+PE FE



SCALE 2:1

TABLE 1

MOLEX PN	L [mm]	Tol.[mm]
1204800588	1000	+40
1204800589	2000	+60
1204800590	3000	+60
1204800591	4000	+60
1204800592	5000	+60
1204800593	10000	+80
1204800594	15000	+140
1204800595	20000	+140



PRE-RELEASE
REFERENCE
USE ONLY

THIS DRAWING CONTAINS INFORMATION THAT IS PROPRIETARY TO MOLEX ELECTRONIC TECHNOLOGIES, LLC AND SHOULD NOT BE USED WITHOUT WRITTEN PERMISSION																	
QUALITY SYMBOLS	2016/04/06	GENERAL TOLERANCES (UNLESS SPECIFIED)		DIMENSION UNITS	SCALE	 CSE M23 4P+3P+1PE PC MA STR WSOR FE SH											
		ANGULAR TOL ± 1.0 °		MM	1:1												
▽A = 0	EC NO: 107396 DRWN: MSCHERER CHK'D: APPR:	4 PLACES ±	DRAFT WHERE APPLICABLE MUST REMAIN WITHIN DIMENSIONS	DRWN BY	DATE							PRODUCT CUSTOMER DRAWING SERIES: 120480 MATERIAL NUMBER: SEE TABLE 1 CUSTOMER:					
▽E = 0		3 PLACES ± 0.0		FGAIK	2015/11/30												
▽F = 0		2 PLACES ± 0.05		CHK'D BY	DATE												
▽B = 0		1 PLACE ± 0.3		APPR BY	DATE	DOCUMENT NUMBER: 1204800760 DOC TYPE: PSD DOC PART: 000 SHEET NUMBER: 1 OF 2											
▽C = 0		0 PLACES ± 0.5		DRAWING SIZE	THIRD ANGLE PROJECTION												
▽ = 0		A3															

E

D

C

B

A

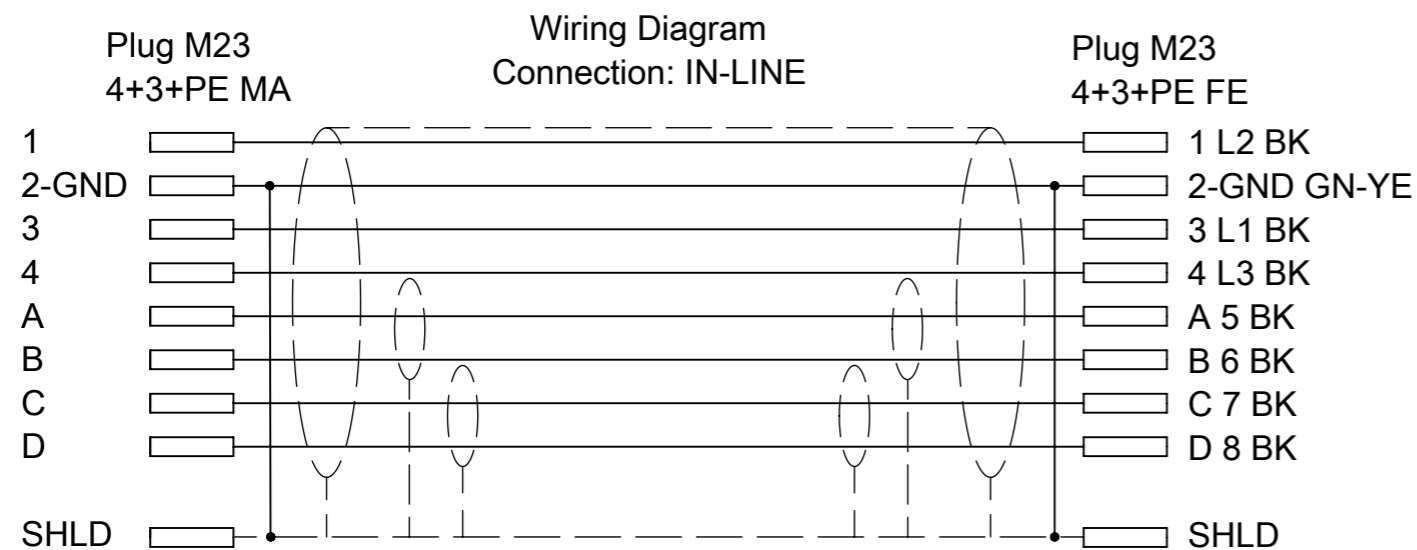


TABLE 2

POS	QTY	DESCRIPTION	MATERIAL	FINISH
1	1	INSERT M23 MA	PA	BLACK
2	3	CONTACT 20 MA	COPPER ALLOY	GOLD OVER NICKEL
3	4	CONTACT 10 MA	COPPER ALLOY	GOLD OVER NICKEL
4	1	GROUNDING 20 MA	COPPER ALLOY	GOLD OVER NICKEL
5	2	GASKET OR	NBR	BLACK
6	1	SHELL M23 MA	BRASS	NICKEL PLATED
7	2	OVERMOULD	TPU	BLACK
8	1	CABLE	WSOR	ORANGE
9	1	NUT M23 FE	BRASS	NICKEL PLATED
10	3	CONTACT 20 FE	COPPER ALLOY	GOLD OVER NICKEL
11	4	CONTACT 10 FE	COPPER ALLOY	GOLD OVER NICKEL
12	1	GROUNDING 20 FE	COPPER ALLOY	GOLD OVER NICKEL
13	1	INSERT M23 FE	PA	BLACK
14	1	SHELL M23 FE	BRASS	NICKEL PLATED

PRE-RELEASE
REFERENCE
USE ONLY

QUALITY SYMBOLS A = 0 E = 0 F = 0 G = 0 H = 0 I = 0 J = 0 K = 0 L = 0 M = 0 N = 0 O = 0 P = 0 Q = 0 R = 0 S = 0 T = 0 U = 0 V = 0 W = 0 X = 0 Y = 0 Z = 0	THIS DRAWING CONTAINS INFORMATION THAT IS PROPRIETARY TO MOLEX ELECTRONIC TECHNOLOGIES, LLC AND SHOULD NOT BE USED WITHOUT WRITTEN PERMISSION				
	EC NO: 107396 DRWN: MSCHERER CHK'D: APPR:	2016/04/06	GENERAL TOLERANCES (UNLESS SPECIFIED) ANGULAR TOL ± 1.0 °	DIMENSION UNITS: MM SCALE: 1:1	
		4 PLACES ±	DRWN BY: FGAIK DATE: 2015/11/30	PRODUCT CUSTOMER DRAWING	
		3 PLACES ± 0.0 2 PLACES ± 0.05 1 PLACE ± 0.3 0 PLACES ± 0.5	CHK'D BY: DATE:		
DRAFT WHERE APPLICABLE MUST REMAIN WITHIN DIMENSIONS	APPR BY: DATE:	DRAWING SIZE: A3 THIRD ANGLE PROJECTION	SERIES: 120480 MATERIAL NUMBER: SEE SHEET 1 CUSTOMER:		
A2	REV:	DRAFT WHERE APPLICABLE MUST REMAIN WITHIN DIMENSIONS	DRAWING SIZE: A3 THIRD ANGLE PROJECTION	DOCUMENT NUMBER: 1204800760 DOC TYPE: PSD DOC PART: 000 SHEET NUMBER: 2 OF 2	