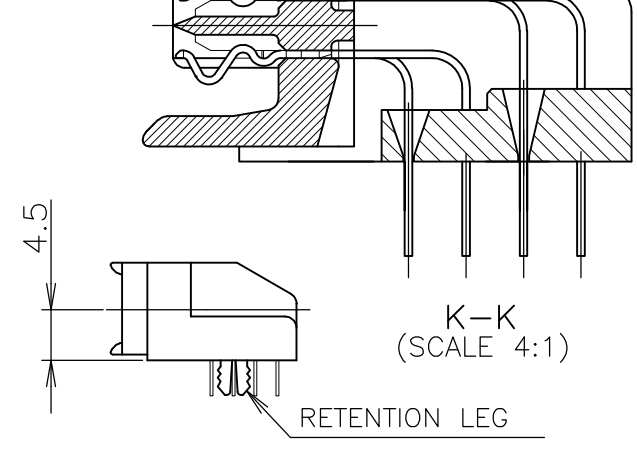
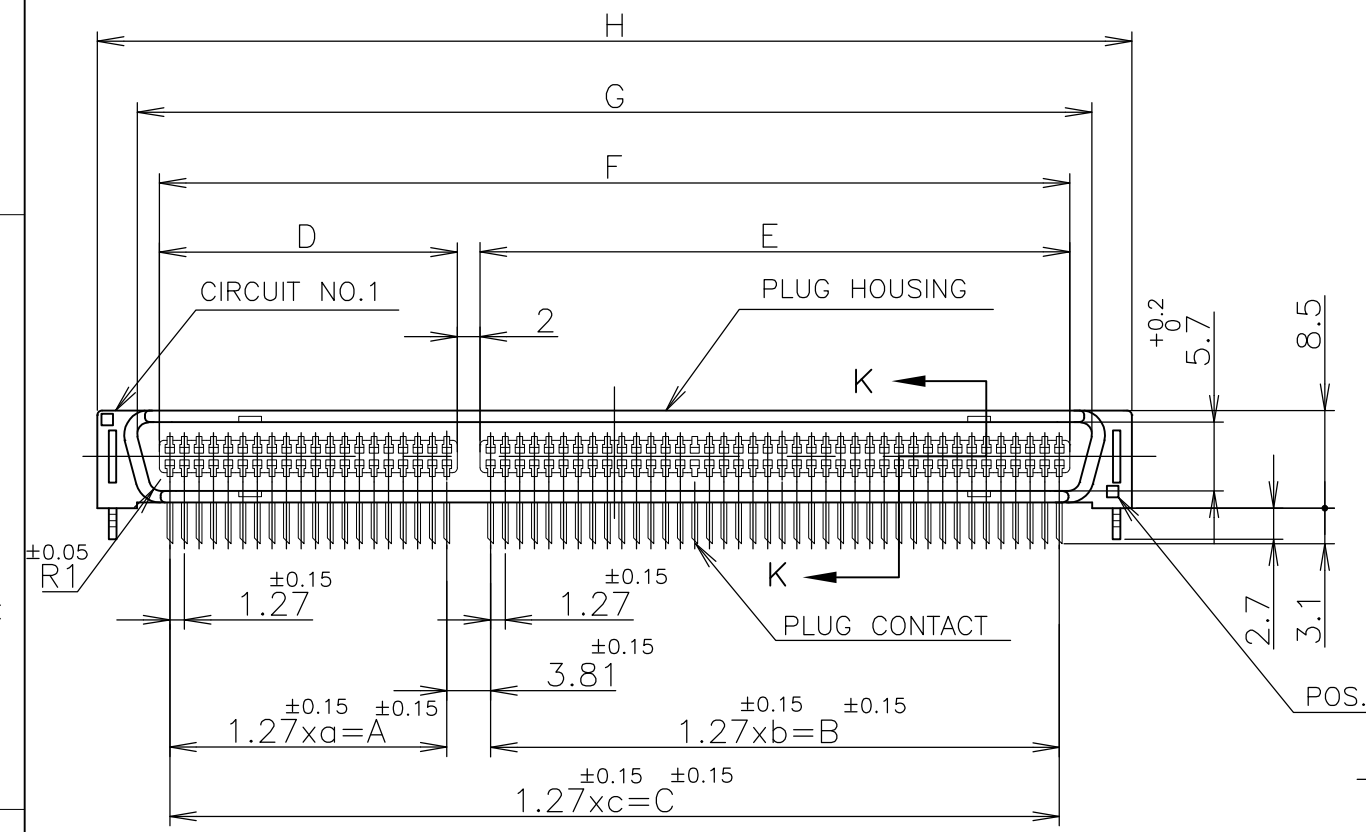


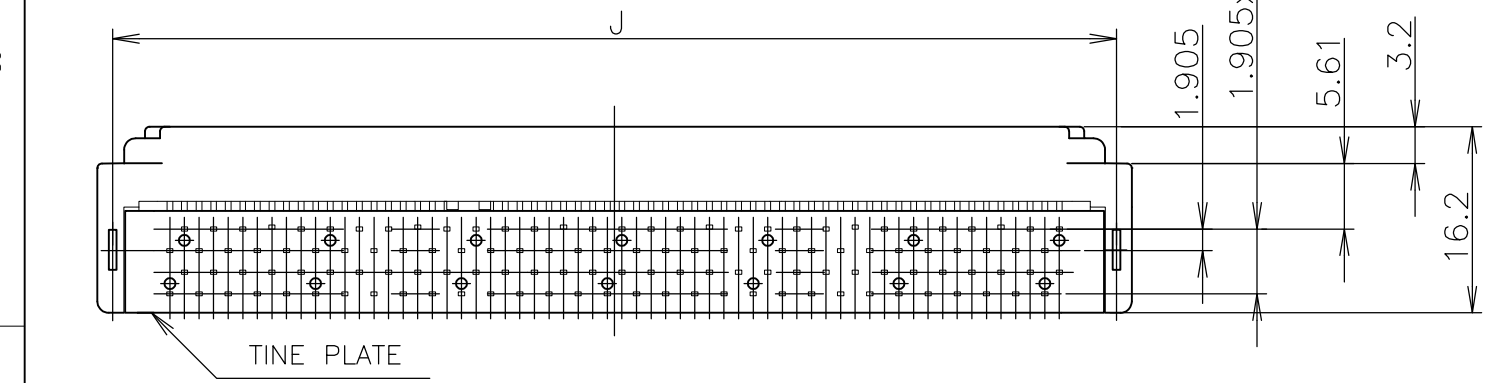
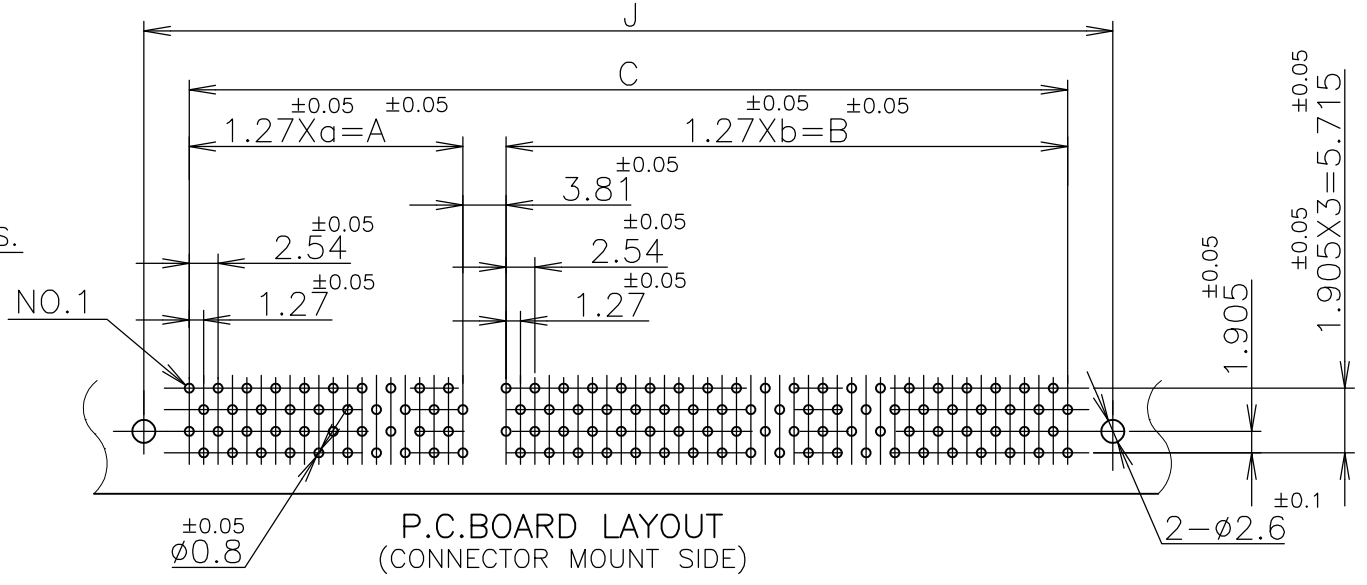
THIS DRAWING IS UNPUBLISHED. RELEASED FOR PUBLICATION AUG, 1989.
 © COPYRIGHT 1989 By - ALL RIGHTS RESERVED.

LOC	DIST	REVISIONS					
J	/	P	LTR	DESCRIPTION	DATE	DWN	APVD
		A1		REVISED ECR-12-013273	26MAR13	K.M	E.T

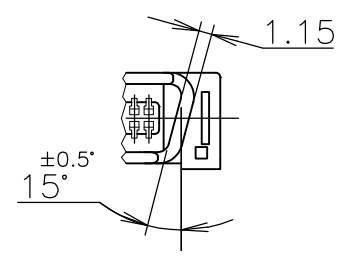


① MATERIAL: HOUSING, TINE PLATE
 THERMOPLASTIC (UL 94V-0) BLACK.
 CONTACT: COPPER ALLOY
 RETENTION LEG: COPPER ALLOY

② FINISH: Au AT CONTACT AREA,
 FOR 2- -1 0.76 um MIN
 OTHERS 0.3 um MIN
 TIN AT TINE, OVER Ni
 RETENTION LEG: TIN, OVER Ni



①	OBSOLETE	40	/	/	/	/	19	24.13	/	/	25.93	29.37	36.75	34.1	2=5176381-1
		180	39	49.53	49	62.23	/	115.57	51.33	64.03	117.37	120.81	128.19	125.54	-8
		160	29	36.83	49	62.23	/	102.87	38.63	64.03	104.67	108.11	115.49	112.84	-7
		140	29	36.83	39	49.53	/	90.17	38.63	51.33	91.97	95.41	102.79	100.14	-6
		120	19	24.13	39	49.53	/	77.47	25.93	51.33	79.27	82.71	90.09	87.44	-5
		100	/	/	/	/	49	62.23	/	/	64.03	67.47	74.85	72.2	-4
		80	/	/	/	/	39	49.53	/	/	51.33	54.77	62.15	59.5	-3
		60	/	/	/	/	29	36.83	/	/	38.63	42.07	49.45	46.8	-2
		40	/	/	/	/	19	24.13	/	/	25.93	29.37	36.75	34.1	5176381-1
		POS	a	A	b	B	c	C	D	E	F	G	H	J	P/N



GENERAL TOLERANCE
 一般公差

10 ≥ : ±0.2
 30 ≥ > 10: ±0.25
 100 ≥ > 30: ±0.3
 ANGLES: ±3°

THIS DRAWING IS A CONTROLLED DOCUMENT.

DIMENSIONS: 单位: 耗 mm

TOLERANCES UNLESS OTHERWISE SPECIFIED: 一般公差

0 PLC ±
 1 PLC ±
 2 PLC ±
 3 PLC ±
 4 PLC ±
 ANGLES ±

MATERIAL 材料

FINISH 仕上

DWN T.KAWAMAE 09JUN04
 CHK I. ENOMOTO 09JUN04
 APVD I. ENOMOTO 09JUN04

PRODUCT SPEC 製品規格 108-60042
 APPLICATION SPEC 取付適用規格

NAME 名称
 AMP FH CONNECTOR PLUG WITH RETENTION-LEG (HORIZONTAL)

SIZE A3 CAGE CODE 00779 DRAWING NO. 番号 C-5176381 RESTRICTED TO

CUSTOMER DRAWING SCALE 尺度 NTS SHEET 1 OF 1 REV A1