

THIS DRAWING IS UNPUBLISHED.

RELEASED FOR PUBLICATION

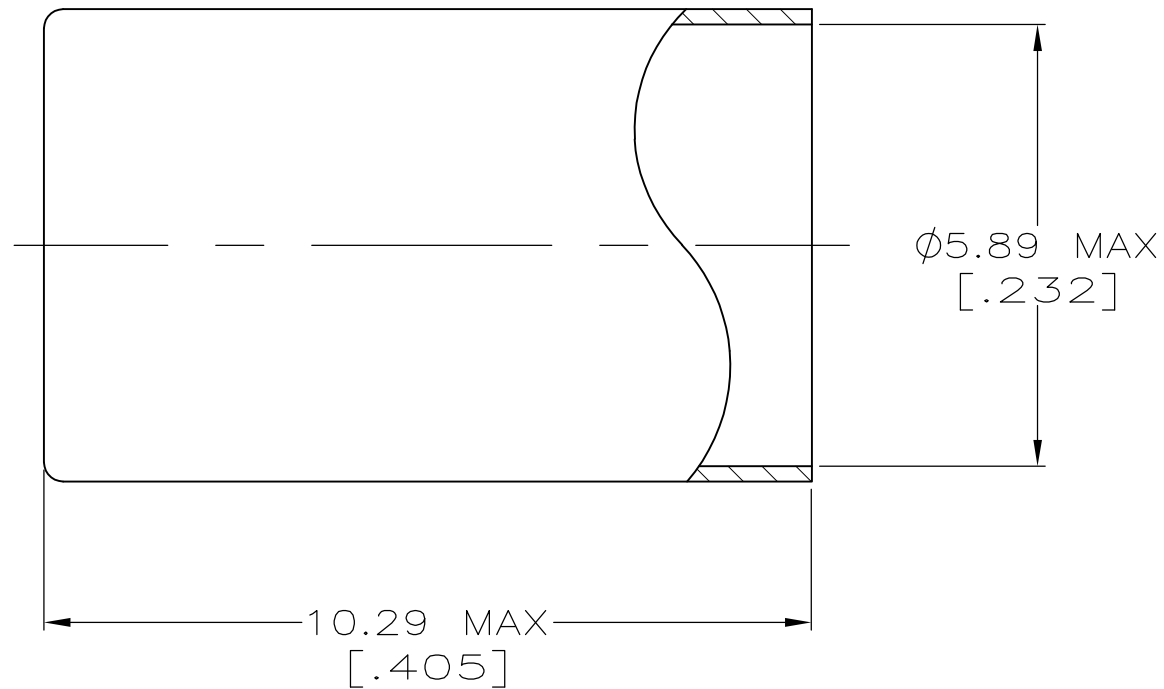
---

ALL RIGHTS RESERVED.

© COPYRIGHT - By -

REVISIONS

P	LTR	DESCRIPTION	DATE	DWN	APVD
	S2	REVISED PER ECR-17-009545	07AUG2017	AS	RS



- 1. COPPER ALLOY
- △2 GOLD PLATE PER MIL-G-45204, 0.76μm [.000030] MIN THICKNESS.
- △3 SILVER PLATE PER QQ-S-365, 5.08μm [.000200] MIN THICKNESS.
- △4 TIN-LEAD PLATE PER ASTM-B-545, 2.54μm [.000100] MIN THICKNESS
- △5 MATTE TIN PLATE PER ASTM-B-545, 2.54μm [.000100] MIN THICKNESS

SUPERCEDED BY 9-329099-0	△3	9-329099-2
	△5	9-329099-1
OBSOLETE	△5	9-329099-0
	△2	1-329099-3
	△4	1-329099-1
SUPERCEDED BY 9-329099-2	△3	329099
	FINISH	PART NUMBER

THIS DRAWING IS A CONTROLLED DOCUMENT.		DWN MICHAEL E. COWHER 14NOV95	<b>STE</b> TE Connectivity														
DIMENSIONS: mm [INCHES]		CHK FRANK MORANA 14NOV95															
TOLERANCES UNLESS OTHERWISE SPECIFIED:		APVD FRANK MORANA 14NOV95	NAME FERRULE														
<table border="0"> <tr><td>0 PLC</td><td>± -</td></tr> <tr><td>1 PLC</td><td>± -</td></tr> <tr><td>2 PLC</td><td>± -</td></tr> <tr><td>3 PLC</td><td>± -</td></tr> <tr><td>4 PLC</td><td>± -</td></tr> <tr><td>ANGLES</td><td>± -</td></tr> </table>		0 PLC	± -	1 PLC	± -	2 PLC	± -	3 PLC	± -	4 PLC	± -	ANGLES	± -	PRODUCT SPEC -	RESTRICTED TO -		
0 PLC	± -																
1 PLC	± -																
2 PLC	± -																
3 PLC	± -																
4 PLC	± -																
ANGLES	± -																
MATERIAL △1		APPLICATION SPEC -	SIZE A3	CAGE CODE 00779	DRAWING NO C-329099												
FINISH △2△3△4△5		WEIGHT 0.000000	SCALE 10:1														
CUSTOMER DRAWING			SHEET 1 OF 1		REV S2												