

# DVI | Vibration-damping elements

for wall mounting, rubber and steel



- 1
- 2
- 3
- 4
- 5
- 6
- 7
- 8
- 9
- 10
- 11
- 12
- 13
- 14
- 15
- 16
- 17
- 18

## 1 OVAL MOUNTING FLANGE AND TAPPED BOSS

Zinc-plated steel.

## 2 VIBRATION-DAMPING BODY

Natural rubber NR, black colour.  
Hardness 40 and 60 Shore A  $\pm 5$ .

## FEATURES AND APPLICATIONS

DVI vibration-damping elements are generally used in combination with DVG vibration-damping elements to protect the electrical panel from surrounding vibrations (Fig.1).

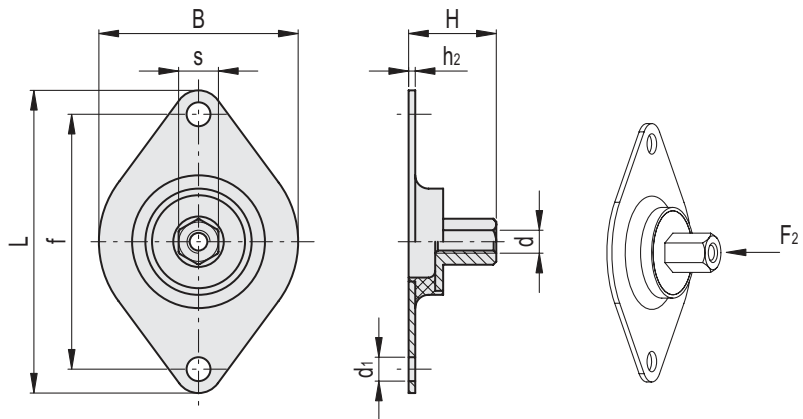
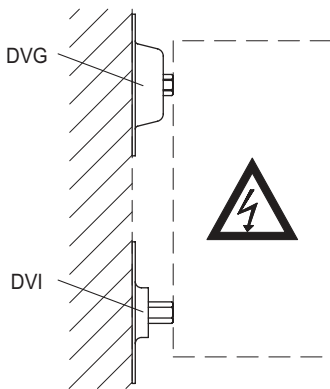
Particularly suitable for the support of fans or other wall mounted vibrating equipment.

## SPECIAL EXECUTIONS ON REQUEST

NR natural rubber executions with different hardness.



Fig.1



Conversion Table	
1 mm = 0.039 inch	
mm	inch
114	4.49



Code	Description	B	L	H	d	d1	h2	s	f	F2 [N]	$\Delta$
436051	DVI-M8-A-40	75	114	33	M8	9	2.5	15	96	30	147
436056	DVI-M8-A-60	75	114	33	M8	9	2.5	15	96	70	147