

# TLE 6285

## LIN-Transceiver with Voltage Regulator

Automotive Power



Never stop thinking.

**Edition 2005-04-18**

**Published by Infineon Technologies AG,  
St.-Martin-Strasse 53,  
81669 München, Germany**

**© Infineon Technologies AG 2005.  
All Rights Reserved.**

**Attention please!**

The information herein is given to describe certain components and shall not be considered as a guarantee of characteristics.

Terms of delivery and rights to technical change reserved.

We hereby disclaim any and all warranties, including but not limited to warranties of non-infringement, regarding circuits, descriptions and charts stated herein.

**Information**

For further information on technology, delivery terms and conditions and prices please contact your nearest Infineon Technologies Office ([www.infineon.com](http://www.infineon.com)).

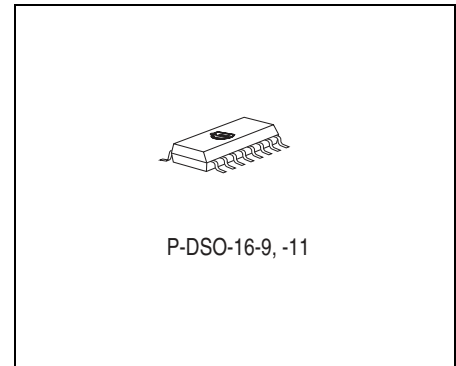
**Warnings**

Due to technical requirements components may contain dangerous substances. For information on the types in question please contact your nearest Infineon Technologies Office.

Infineon Technologies Components may only be used in life-support devices or systems with the express written approval of Infineon Technologies, if a failure of such components can reasonably be expected to cause the failure of that life-support device or system, or to affect the safety or effectiveness of that device or system. Life support devices or systems are intended to be implanted in the human body, or to support and/or maintain and sustain and/or protect human life. If they fail, it is reasonable to assume that the health of the user or other persons may be endangered.

## Features

- Single-wire transceiver, suitable for **LIN** protocol
- Transmission rate up to 20 kBaud
- Compatible to LIN specification 1.3, 2.0
- Compatible to ISO 9141 functions
- Low current consumption in sleep mode
- Control output for voltage regulator
- LIN bus, short circuit proof to ground and battery
- Integrated 5V  $\pm 2\%$ , low drop voltage regulator
- 150 mA output current capability
- Adjustable reset threshold
- Overtemperature protection
- Wide temperature range
- Suitable for use in automotive electronics



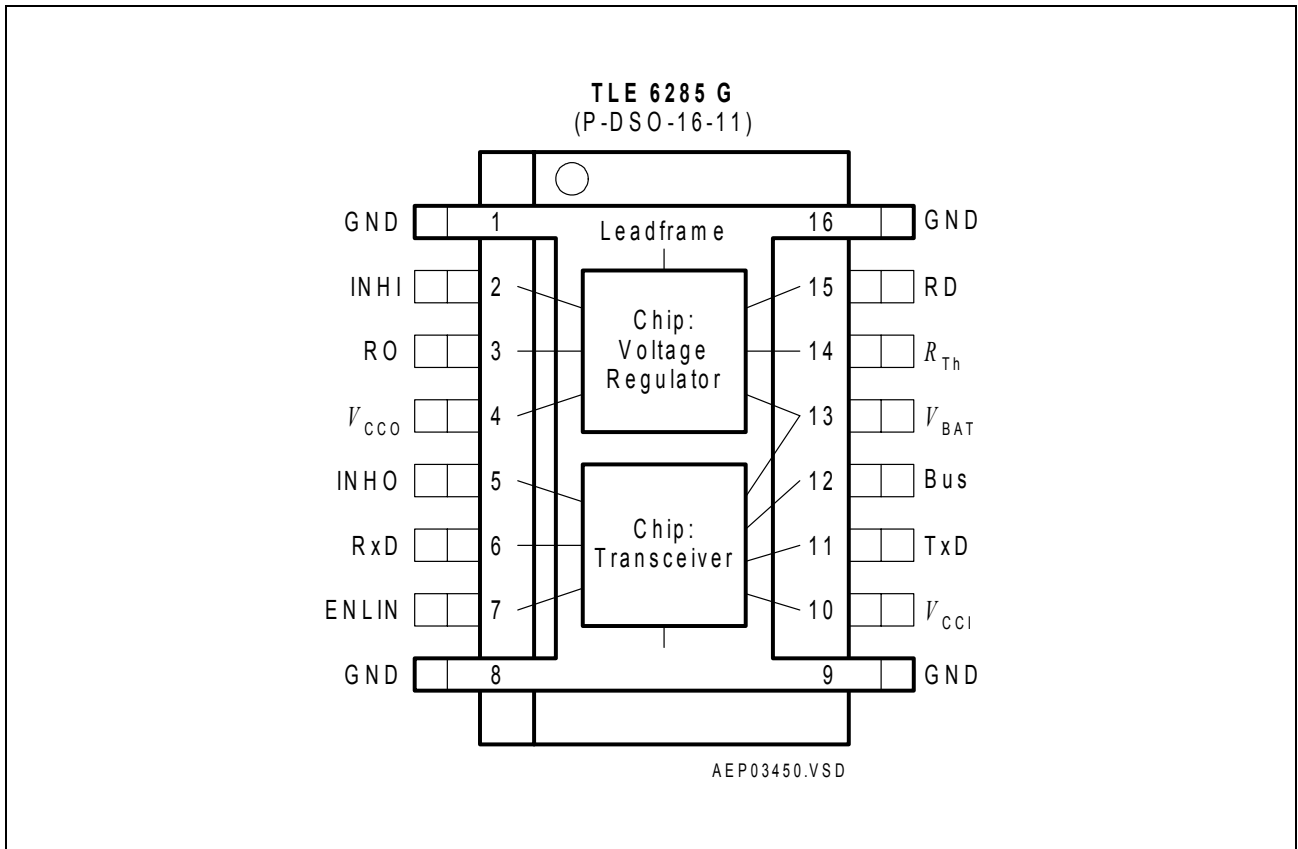
## Description

The TLE 6285 is a single-wire transceiver with a LDO. It is a chip by chip integrated circuit in a P-DSO-16-11 package. It works as an interface between the protocol controller and the physical bus. The TLE 6285 is especially suitable to drive the bus line in LIN systems in automotive and industrial applications. Further it can be used in standard ISO9141 systems.

In order to reduce the current consumption the TLE 6285 offers a sleep operation mode. In this mode a voltage regulator can be controlled in order to minimize the current consumption of the whole application. The on-chip voltage regulator (VR) is designed for this application but it is also possible to use an external voltage regulator. A wake-up caused by a message on the bus enables the voltage regulator and sets the RxD output low until the device is switched to normal operation mode. To achieve proper operation of the  $\mu\text{C}$ , the device supplies a reset signal. The reset delay time is selected application specific by an external capacitor. The reset threshold is adjustable.

The TLE 6285 is designed to withstand the severe conditions of automotive applications.

Type	Ordering Code	Package
TLE 6285 G	Q67065-A7059	P-DSO-16-11



**Figure 1** Pin Configuration (top view)

**Table 1 Pin Definitions and Functions**

Pin No.	Symbol	Function
1, 8, 9, 16	GND	<b>Ground</b> ; place to cooling tabs to improve thermal behavior
2	INHI	<b>Inhibit Voltage Regulator Input</b> ; TTL compatible, HIGH active (HIGH switches the VR on); connect to $V_{BAT}$ if not needed
3	RO	<b>Reset Output</b> ; open collector output connected to the output via a resistor of 20 k $\Omega$
4	$V_{CCO}$	<b>5-V Output</b> ; connected to GND with 22 $\mu$ F capacitor, ESR < 5 $\Omega$
5	INHO	<b>Inhibit LIN Output</b> ; to control a voltage regulator
6	RxD	<b>Receive Data Output</b> ; Integrated pull-up, LOW in dominate state
7	ENLIN	<b>Enable LIN Input</b> ; integrated 30 k $\Omega$ pull-down, transceiver in normal operation mode when HIGH
10	$V_{CCI}$	<b>5-V Supply Input</b> ; $V_{CC}$ input to supply the LIN transceiver
11	TxD	<b>Transmit Data Input</b> ; internal pull-up, LOW in dominant state
12	BUS	<b>LIN BUS Output/Input</b> ; internal 30 k $\Omega$ pull-up to $V_S$ , LOW in dominant state
13	$V_{BAT}$	<b>Battery Supply Input</b> ; a reverse current protection diode is required, block GND with 100 nF ceramic capacitor and 22 $\mu$ F capacitor
14	RTh	<b>Reset Threshold</b> ; internal defined typical 4.6 V, adjustable down to 3.5 V according to the voltage level on this pin; connect to GND if not needed
15	RD	<b>Reset Delay</b> ; connected to ground via external delay capacitor

Functional Block Diagram

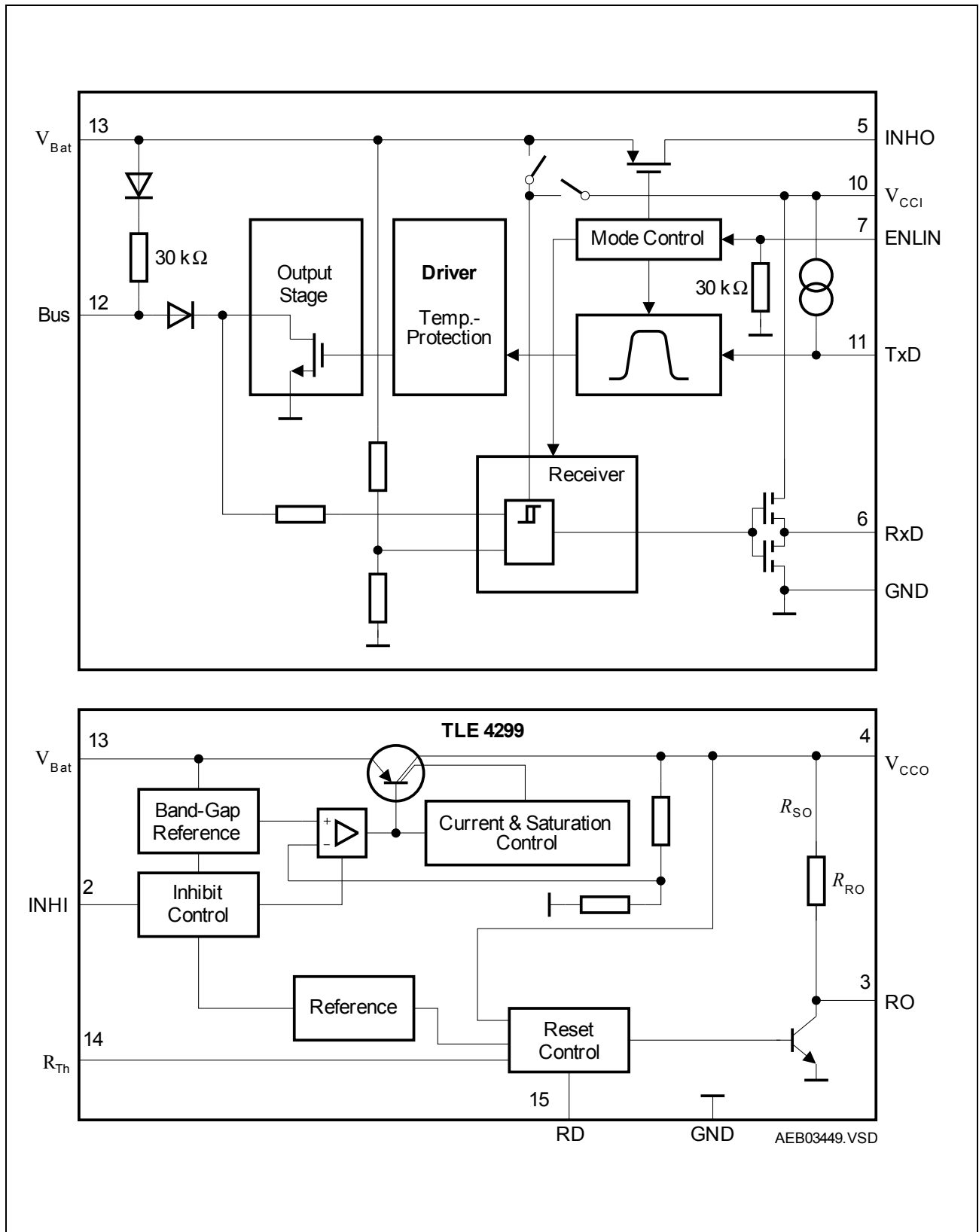


Figure 2 Block Diagram



In case the voltage regulator control input is not connected to INH output or the microcontroller is active respectively, the TLE 6285 can be set in normal operation mode without a wake-up via the communication bus.

### LIN Transceiver

The LIN Transceiver has already a pull-up resistor of 30 k $\Omega$  as termination implemented. There is also a diode in this path, to protect the circuit from feedback of voltages from the bus line to the power supply. To configure the TLE 6285 as a master node, an additional external termination resistor of 1 k $\Omega$  is required. To avoid reverse currents from the bus line into the battery supply line in case of an unpowered node, it is also recommended to place a diode in series to the external pull-up. For small systems (low bus capacitance) the EMC performance of the system is supported by an additional capacitor of at least 1 nF in the master node (see [Figure 5, Application Example](#)).

An capacitor of 10  $\mu$ F at the supply voltage input  $V_S$  buffers the input voltage. In combination with the required reverse polarity diode this prevents the device from detecting power down conditions in case of negative transients on the supply line.

### Input Capacitor

The input capacitor  $C_I$  is necessary for compensation of line influences. Using a resistor of approx. 1  $\Omega$  in series with  $C_I$ , the oscillating circuit consisting of input inductivity and input capacitance can be damped. The output capacitor is necessary for the stability of the regulating circuit. Stability is guaranteed at values  $\geq 22 \mu$ F and an ESR of  $\leq 5 \Omega$  within the operating temperature range. For small tolerances of the reset delay the spread of the capacitance of the delay capacitor and its temperature coefficient should be noted.

### Voltage Regulator

The TLE 6285 incorporates a PNP based very low drop linear voltage regular. It regulates the output voltage to  $V_{CC} = 5$  V for an input voltage range of  $6 \text{ V} \leq V_I \leq 35\text{V}$ . The control circuit protects the device against potential caused by damages overcurrent and overtemperature.

The internal control circuit achieves a 5 V output voltage with a tolerance of  $\pm 2\%$  in the temperature range of  $T_j = -40$  to 125  $^{\circ}\text{C}$ .

The device includes a power on reset and an under voltage reset function with adjustable reset delay time and adjustable reset switching threshold as well as a sense control/early warning function. The device includes an inhibit function to disable it when the ECU is not used for example while the motor is off.

The reset logic compares the output voltage  $V_{CC}$  to an internal threshold. If the output voltage drops below this level, the external reset delay capacitor  $C_D$  is discharged. When  $V_D$  is lower than  $V_{LD}$ , the reset output RO is switched Low. If the output voltage drop is



very short, the  $V_{LD}$  level is not reached and no reset-signal is asserted. This feature avoids resets at short negative spikes at the output voltage e.g. caused by load changes. As soon as the output voltage is more positive than the reset threshold, the delay capacitor is charged with constant current. When the voltage reaches  $V_{UD}$  the reset output RO is set High again.

The reset threshold is either the internal defined  $V_{RT}$  voltage (typical 4.6 V) or can be lowered by a voltage level at the RTh input down to 3.5 V. The reset delay time and the reset reaction time are defined by the external capacitor  $C_D$ . The reset function is active down to  $V_I = 1$  V.

The device is capable to supply 150 mA. For protection at high input voltage above 25 V, the output current is reduced (SOA protection).

### Reset

The power on reset feature is necessary for a defined start of the microprocessor when switching on the application. For the reset delay time after the output voltage of the regulator is above the reset threshold, the reset signal is set High again. The reset delay time is defined by the reset delay capacitor  $C_{RD}$  at pin RD (refer to [Figure 4](#) and [Figure 5](#)).

The undervoltage reset circuitry supervises the output voltage. In case  $V_Q$  decreases below the reset threshold the reset output is set LOW after the reset reaction time. The reset LOW signal is generated down to an output voltage  $V_Q$  to 1 V. Both the reset reaction time and the reset delay time is defined by the capacitor value.

The power on reset delay time is defined by the charging time of an external delay capacitor  $C_D$ .

$$C_D = (t_d \times I_D) / \Delta V \tag{1}$$

Definitions:

- $C_D$  = reset delay capacitor
- $t_d$  = reset delay time
- $\Delta V = V_{UD}$ , typical 1.8 V for power up reset
- $\Delta V = V_{UD} - V_{LD}$ , typical 1.35 V for undervoltage reset
- $I_D$  = charge current typical 6.5  $\mu$ A

For a delay capacitor  $C_D = 100$  nF the typical power on reset delay time is 28 ms.

The reset reaction time  $t_{RR}$  is the time it takes the voltage regulator to set reset output LOW after the output voltage has dropped below the reset threshold. It is typically 1  $\mu$ s for delay capacitor of 100 nF. For other values for  $C_D$  the reaction time can be estimated using the following equation:

$$t_{RR} = 10 \text{ ns} / \text{nF} \times C_D \tag{2}$$

The reset output is an open collector output with a pull-up resistor of typical 20 k $\Omega$  to Q. An external pull-up can be added with a resistor value of at least 5.6 k $\Omega$ .

In addition the reset switching threshold can be adjusted by an external voltage divider. The feature is useful for microprocessors which guarantee safe operation down to voltages below the internally set reset threshold of 4.65 V typical.

If the internal used reset threshold of typical 4.65 V is used, the pin RTh has to be connected to GND.

If a lower reset threshold is required by the system, a voltage divider defines the reset threshold  $V_{Rth}$  between 3.5 V and 4.60 V:

$$V_{Rth} = V_{RADJ TH} \times (R_1 + R_2) / R_2 \quad (3)$$

$V_{RADJ TH}$  is typical 1.36 V.

**Table 2 Absolute Maximum Ratings**

Parameter	Symbol	Limit Values		Unit	Remarks
		Min.	Max.		
<b>Voltages</b>					
Supply voltage	$V_{CC}$	-0.3	6	V	–
Battery supply voltage	$V_S$	-0.3	40	V	–
Bus input voltage	$V_{bus}$	-20	32	V	–
Bus input voltage	$V_{bus}$	-20	40	V	$t < 1\text{ s}$
Logic voltages at EN, TxD, RxD	$V_I$	-0.3	$V_{CC} + 0.3$	V	$0\text{ V} < V_{CC} < 5.5\text{ V}$
Input voltages at INHO	$V_{INHO}$	-0.3	$V_S + 0.3$	V	–
Output current at INHO	$I_{INHO}$	–	20	mA	–
Reset output voltage	$V_R$	-0.3	7	V	–
Reset delay voltage	$V_D$	-0.3	7	V	–
Output voltage on $V_{CCO}$	$V_Q$	-0.3	7	V	–
INHI input voltage	$V_{INH}$	-40	40	V	–
Reset Threshold voltage	$V_{Th}$	-0.3	7	V	–
Reset Threshold current	$I_{Th}$	-10	10	mA	–
Electrostatic discharge voltage at $V_S$ , Bus	$V_{ESD}$	-4	4	kV	human body model (100 pF via 1.5 k $\Omega$ )
Electrostatic discharge voltage	$V_{ESD}$	-2	2	kV	human body model (100 pF via 1.5 k $\Omega$ )
<b>Temperatures</b>					
Junction temperature	$T_j$	-40	150	°C	–

*Note: Maximum ratings are absolute ratings; exceeding any one of these values may cause irreversible damage to the integrated circuit.*

**Table 3 Operating Range**

Parameter	Symbol	Limit Values		Unit	Remarks
		Min.	Max.		
Supply voltage	$V_{CC}$	4.5	5.5	V	–
Battery Supply Voltage	$V_S$	6	35	V	–
Junction temperature	$T_j$	-40	150	°C	–
<b>Thermal Shutdown (junction temperature)</b>					
Thermal shutdown temp.	$T_{jSD}$	150	170	190	°C
Thermal shutdown hyst.	$\Delta T$	–	10	–	K
<b>Thermal Resistances</b>					
Junction ambient	$R_{thj-a}$	–	80	K/W	PCB heat sink area 300mm <sup>2</sup>

**Table 4 Electrical Characteristics**

$V_{CC} = 5V$ ;  $V_S = 13.5V$ ;  $R_L = 500 \Omega$ ;  $V_{EN} > V_{EN,ON}$ ;  $-40 \text{ }^\circ\text{C} < T_j < 125 \text{ }^\circ\text{C}$ ; all voltages with respect to ground; positive current flowing into pin; unless otherwise specified.

Parameter	Symbol	Limit Values			Unit	Remarks
		Min.	Typ.	Max.		
<b>Current Consumption</b>						
Current consumption at $V_{Bat}$ (LIN + Voltage Regulator)	$I_{Bat}$	–	1.1	3	mA	recessive state; INHI = INHO = HIGH; $V_{TXD} = V_{CC}$
	$I_{Bat}$	–	1.9	4	mA	dominant state; INHI = INHO = HIGH; $V_{TXD} = V_{CC}$
Current consumption at $V_{CCI}$ (LIN only)	$I_{CCI}$	–	0.4	0.7	mA	recessive state; LDO sleep; $V_{TXD} = V_{CC}$
	$I_{CCI}$	–	0.4	0.8	mA	dominant state; LDO sleep; $V_{TXD} = 0 \text{ V}$
Current consumption sleep mode (LIN + Voltage Regulator) (LIN only)	$I_{Bat}$	–	20	40	$\mu\text{A}$	sleep mode; INHI = INHO = LOW;
	$I_{CCI}$	–	3	10	$\mu\text{A}$	sleep mode; INHI = INHO = LOW
Current consumption LDO (Voltage Regulator, LIN in sleep mode)	$I_{Bat}$	–	170	500	$\mu\text{A}$	$I_{CCO} = 10 \text{ mA}$ ;
	$I_{Bat}$	–	0.7	2	mA	$I_{CCO} = 50 \text{ mA}$ ;
<b>Enable Input (pin ENLIN)</b>						
HIGH level input voltage threshold	$V_{EN,on}$	–	2.8	$0.7 \times V_{CC}$	V	normal mode
LOW level input voltage threshold	$V_{EN,off}$	$0.3 \times V_{CC}$	2.2	–	V	low power mode
EN input hysteresis	$V_{EN,hys}$	300	600	900	mV	–
EN pull-down resistance	$R_{EN}$	15	30	60	k $\Omega$	–
<b>Inhibit Output (pin INHO)</b>						
Inhibit $R_{on}$ resistance	$R_{onINHO}$		65	120	$\Omega$	$I_{INH} = -15 \text{ mA}$

**Table 4 Electrical Characteristics (cont'd)**

$V_{CC} = 5V$ ;  $V_S = 13.5V$ ;  $R_L = 500 \Omega$ ;  $V_{EN} > V_{EN,ON}$ ;  $-40 \text{ }^\circ\text{C} < T_j < 125 \text{ }^\circ\text{C}$ ; all voltages with respect to ground; positive current flowing into pin; unless otherwise specified.

Parameter	Sym- bol	Limit Values			Unit	Remarks
		Min.	Typ.	Max.		
Leakage current	$I_{INHO,ik}$	-5.0	–	5.0	$\mu\text{A}$	sleep mode; $V_{INHO} = 0 \text{ V}$
<b><math>V_Q</math> Output (pin <math>V_{CCO}</math>)</b>						
Output voltage	$V_Q$	4.90	5.00	5.10	V	$1 \text{ mA} \leq I_Q \leq 100 \text{ mA}$ ; $6 \text{ V} \leq V_I \leq 16 \text{ V}$
Output voltage	$V_Q$	4.85	5.00	5.15	V	$I_Q \leq 150 \text{ mA}$ ; $6 \text{ V} \leq V_I \leq 16 \text{ V}$
Current limit	$I_Q$	250	400	500	mA	–
Drop voltage	$V_{dr}$	–	0.22	0.5	V	$I_Q = 100 \text{ mA}^1)$
Load regulation	$\Delta V_Q$	–	5	30	mV	$I_Q = 1 \text{ mA}$ to $100 \text{ mA}$
Line regulation	$\Delta V_Q$	–	10	25	mV	$V_I = 6 \text{ V}$ to $28 \text{ V}$ ; $I_Q = 1 \text{ mA}$
Power Supply Ripple rejection	$PSRR$	–	66	–	dB	<sup>2)</sup> $f_r = 100 \text{ Hz}$ ; $V_r = 1 \text{ Vpp}$ ; $I_Q = 100 \text{ mA}$

**Table 4 Electrical Characteristics (cont'd)**

$V_{CC} = 5V$ ;  $V_S = 13.5V$ ;  $R_L = 500 \Omega$ ;  $V_{EN} > V_{EN,ON}$ ;  $-40 \text{ }^\circ\text{C} < T_j < 125 \text{ }^\circ\text{C}$ ; all voltages with respect to ground; positive current flowing into pin; unless otherwise specified.

Parameter	Sym- bol	Limit Values			Unit	Remarks
		Min.	Typ.	Max.		
<b>Reset Generator (pins RO, RD)</b>						
Switching threshold	$V_{rt}$	4.50	4.60	4.80	V	–
Reset pull-up	$R_{RO}$	10	20	40	k $\Omega$	–
Reset low voltage	$V_R$	–	0.17	0.40	V	<sup>3)</sup> $V_Q < 4.5 \text{ V}$ ; internal $R_{RO}$ ; $I_R = 1 \text{ mA}$
External reset pull-up	$R_{RO \text{ ext}}$	5.6	–	–	k $\Omega$	Pull-up resistor pin RO to pin $V_{CCO}$
Delay switching threshold	$V_{DT}$	1.5	1.85	2.2	V	–
Switching threshold	$V_{ST}$	0.35	0.50	0.60	V	–
Reset delay low voltage	$V_D$	–	–	0.1	V	$V_Q < V_{RT}$
Charge current	$I_{ch}$	4.0	8.0	12.0	$\mu\text{A}$	$V_D = 1 \text{ V}$
Reset delay time	$t_d$	17	28	35	ms	$C_D = 100 \text{ nF}$
Reset reaction time	$t_{RR}$	0.5	1.2	3.0	$\mu\text{s}$	$C_D = 100 \text{ nF}$
Reset adjust switching threshold	$V_{RADJ TH}$	1.26	1.36	1.44	V	$V_Q > 3.5 \text{ V}$
<b>Inhibit Input (pin INHI)</b>						
Inhibit OFF voltage range	$V_{INHI OFF}$	–	–	0.8	V	$V_Q \text{ off}$
Inhibit ON voltage range	$V_{INHI ON}$	3.5	–	–	V	$V_Q \text{ on}$
High input current	$I_{INHI ON}$	–	3	8	$\mu\text{A}$	$V_{INHI} = 5 \text{ V}$
Low input current	$I_{INHI OFF}$	–	0.5	2	$\mu\text{A}$	$V_{INHI} = 0 \text{ V}$
<b>Receiver Output RxD</b>						
HIGH level output current	$I_{RD,H}$	-1.2	-0.8	-0.5	mA	$V_{RD} = 0.8 \times V_{CC}$
LOW level output current	$I_{RD,L}$	0.5	0.8	1.2	mA	$V_{RD} = 0.2 \times V_{CC}$

**Table 4 Electrical Characteristics (cont'd)**

$V_{CC} = 5V$ ;  $V_S = 13.5V$ ;  $R_L = 500 \Omega$ ;  $V_{EN} > V_{EN,ON}$ ;  $-40 \text{ }^\circ\text{C} < T_j < 125 \text{ }^\circ\text{C}$ ; all voltages with respect to ground; positive current flowing into pin; unless otherwise specified.

Parameter	Symbol	Limit Values			Unit	Remarks
		Min.	Typ.	Max.		
<b>Transmission Input TxD</b>						
HIGH level input voltage threshold	$V_{TD,H}$	–	2.9	$0.7 \times V_{CC}$	V	recessive state
TxD input hysteresis	$V_{TD,hys}$	300	700	900	mV	–
LOW level input voltage threshold	$V_{TD,L}$	$0.3 \times V_{CC}$	2.1	–	V	dominant state
TxD pull-up current	$I_{TD}$	-150	-110	-70	$\mu\text{A}$	$V_{TxD} < 0.3 V_{CC}$
<b>Bus Receiver</b>						
Receiver threshold voltage, recessive to dominant edge	$V_{bus,rd}$	$0.44 \times V_S$	$0.48 \times V_S$	–	V	$-8 \text{ V} < V_{bus} < V_{bus,dom}$
Receiver threshold voltage, dominant to recessive edge	$V_{bus,dr}$	–	$0.52 \times V_S$	$0.60 \times V_S$	V	$V_{bus,rec} < V_{bus} < 20 \text{ V}$
Receiver hysteresis	$V_{bus,hys}$	$0.02 \times V_S$	$0.04 \times V_S$	$0.1 \times V_S$	mV	$V_{bus,hys} = V_{bus,rec} - V_{bus,dom}$
Receiver threshold center voltage	$V_{bus,cnt}$	$0.475 \times V_S$	$0.5 \times V_S$	$0.525 \times V_S$		LIN2.0 table 3.1
Input leakage current	$I_{bus,lek}$	-1			mA	$V_{bus} = 0V$ , $V_{bat} = 12V$ , pull-up resistor as specified in LIN2.0
Wake-up threshold voltage	$V_{wake}$	$0.40 \times V_S$	$0.55 \times V_S$	$0.60 \times V_S$	V	–
<b>Bus Transmitter</b>						
Bus recessive output voltage	$V_{bus,rec}$	$0.9 \times V_S$	–	$V_S$	V	$V_{TxD} = V_{CC}$
Bus dominant output voltage	$V_{bus,dom}$	0	–	2	V	$V_{TxD} = 0 \text{ V}$ $7.3V < V_S < 27V$
		0	–	1.2	V	$V_{TxD} = 0 \text{ V}$ $6V < V_S < 7.3V$
Bus short circuit current	$I_{bus,sc}$	40	85	150	mA	$V_{bus,short} = 13.5 \text{ V}$



**Table 4 Electrical Characteristics (cont'd)**

$V_{CC} = 5V$ ;  $V_S = 13.5V$ ;  $R_L = 500 \Omega$ ;  $V_{EN} > V_{EN,ON}$ ;  $-40 \text{ }^\circ\text{C} < T_j < 125 \text{ }^\circ\text{C}$ ; all voltages with respect to ground; positive current flowing into pin; unless otherwise specified.

Parameter	Symbol	Limit Values			Unit	Remarks
		Min.	Typ.	Max.		
Leakage current	$I_{bus,lk}$	-1	-	-	mA	$V_{CC} = 0 \text{ V}$ , $V_S = 0 \text{ V}$ , $V_{bus} = -8 \text{ V}$ ,
		-	10	20	$\mu\text{A}$	$V_{CC} = 0 \text{ V}$ , $V_S = 13.5\text{V}$ , $V_{bus} = 20 \text{ V}$ ,
Bus pull-up resistance	$R_{bus}$	20	30	47	k $\Omega$	-

**Table 4 Electrical Characteristics (cont'd)**

$V_{CC} = 5V$ ;  $V_S = 13.5V$ ;  $R_L = 500 \Omega$ ;  $V_{EN} > V_{EN,ON}$ ;  $-40 \text{ }^\circ\text{C} < T_j < 125 \text{ }^\circ\text{C}$ ; all voltages with respect to ground; positive current flowing into pin; unless otherwise specified.

Parameter	Symbol	Limit Values			Unit	Remarks
		Min.	Typ.	Max.		
<b>Dynamic Transceiver Characteristics</b>						
Falling edge slew rate	$S_{bus(L)}$	-3	-2.0	-1	V/ $\mu\text{s}$	60% > $V_{bus}$ > 40% $1 \mu\text{s} < (\tau = R_{BUS} \times C_{BUS}) < 5 \mu\text{s}^4$ $V_{CC} = 5 \text{ V}$ ; $V_S = 13.5 \text{ V}$
Rising edge slew rate	$S_{bus(H)}$	1	1.5	3	V/ $\mu\text{s}$	40% < $V_{bus}$ < 60% $1 \mu\text{s} < (\tau = R_{BUS} \times C_{BUS}) < 5 \mu\text{s}^4$ $V_{CC} = 5 \text{ V}$ ; $V_S = 13.5 \text{ V}$
Slope symmetry	$t_{slopesym}$	-5	–	5	$\mu\text{s}$	$t_{fslope} - t_{rslope}$
Propagation delay TxD LOW to bus	$t_{d(L),T}$	–	1	4	$\mu\text{s}$	$V_{CC} = 5 \text{ V}$
Propagation delay TxD HIGH to bus	$t_{d(H),T}$	–	1	4	$\mu\text{s}$	$V_{CC} = 5 \text{ V}$
Propagation delay bus dominant to RxD LOW	$t_{d(L),R}$	–	1	6	$\mu\text{s}$	$V_{CC} = 5 \text{ V}$ ; $C_{RxD} = 20 \text{ pF}$
Propagation delay bus recessive to RxD HIGH	$t_{d(H),R}$	–	1	6	$\mu\text{s}$	$V_{CC} = 5 \text{ V}$ ; $C_{RxD} = 20 \text{ pF}$
Receiver delay symmetry	$t_{sym,R}$	-2	–	2	$\mu\text{s}$	$t_{sym,R} = t_{d(L),R} - t_{d(H),R}$
Transmitter delay symmetry	$t_{sym,T}$	-2	–	2	$\mu\text{s}$	$t_{sym,T} = t_{d(L),T} - t_{d(H),T}$
Duty cycle D1	$t_{duty1}$	0.396	–	–	$\mu\text{s}$	duty cycle <sup>14)</sup> $TH_{Rec}(\text{max}) = 0.744 \times V_S$ ; $TH_{Dom}(\text{max}) = 0.581 \times V_S$ ; $V_S = 7.0 \dots 18 \text{ V}$ ; $t_{bit} = 50 \mu\text{s}$ ; $D1 = t_{bus\_rec(\text{min})}/2 t_{bit}$
Duty cycle D2	$t_{duty2}$	–	–	0.581	$\mu\text{s}$	duty cycle <sup>24)</sup> $TH_{Rec}(\text{max}) = 0.422 \times V_S$ ; $TH_{Dom}(\text{max}) = 0.264 \times V_S$ ; $V_S = 7.6 \dots 18 \text{ V}$ ; $t_{bit} = 50 \mu\text{s}$ ; $D2 = t_{bus\_rec(\text{max})}/2 t_{bit}$
Wake-up delay time	$t_{wake}$	30	100	150	$\mu\text{s}$	$T_j \leq 125 \text{ }^\circ\text{C}$
		–	–	170	$\mu\text{s}$	$T_j \leq 150 \text{ }^\circ\text{C}^2)$

**Table 4 Electrical Characteristics (cont'd)**

$V_{CC} = 5V$ ;  $V_S = 13.5V$ ;  $R_L = 500 \Omega$ ;  $V_{EN} > V_{EN,ON}$ ;  $-40 \text{ }^\circ\text{C} < T_j < 125 \text{ }^\circ\text{C}$ ; all voltages with respect to ground; positive current flowing into pin; unless otherwise specified.

Parameter	Symbol	Limit Values			Unit	Remarks
		Min.	Typ.	Max.		
Delay time for change sleep/stand by mode - normal mode	$t_{snorm}$	–	–	50	$\mu\text{s}$	–
Delay time for change normal mode - sleep mode	$t_{nsleep}$	–	–	50	$\mu\text{s}$	–

- 1) Drop voltage =  $V_I - V_O$  (measured when the output voltage has dropped 100 mV from the nominal value obtained at 13.5 V input)
- 2) Not subject to production test, specified by design.
- 3) The reset output is low within the range  $V_Q = 1 \text{ V}$  to  $V_{rt}$
- 4) Bus load conditions concerning LIN spec 2.0  $C_{bus}$ ,  $R_{bus} = 1 \text{ nF}$ ,  $1 \text{ k}\Omega$  /  $6.8 \text{ nF}$ ,  $660 \Omega$  /  $10 \text{ nF}$ ,  $500 \Omega$

Diagrams

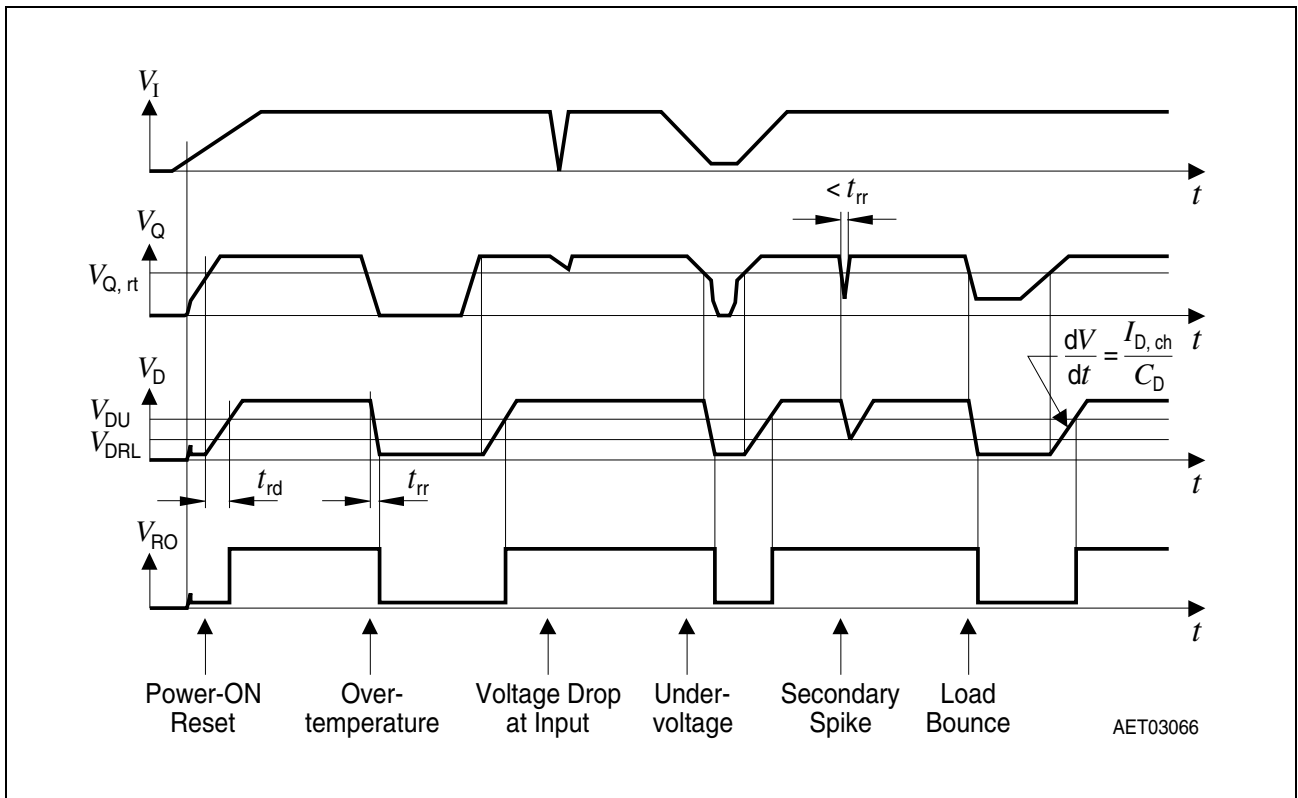
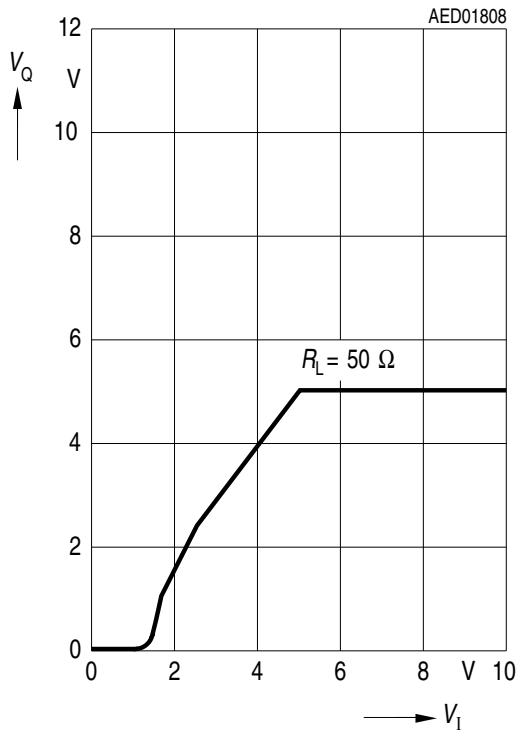


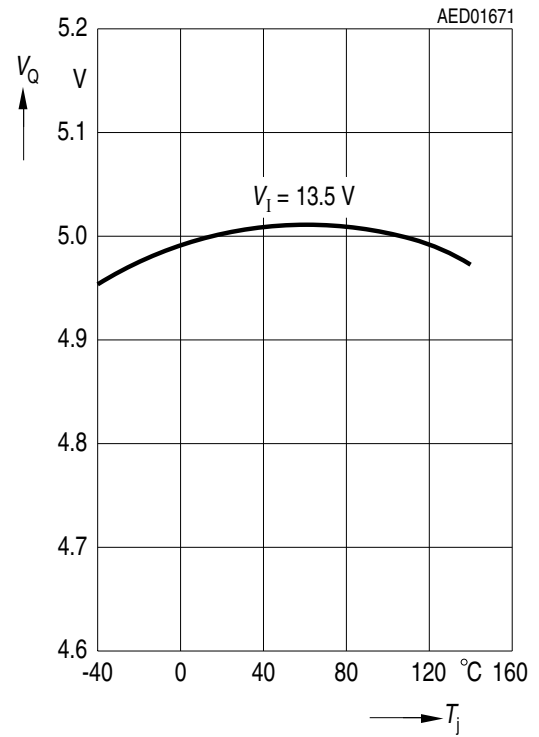
Figure 4 Time Response

**Typical Performance Characteristics**

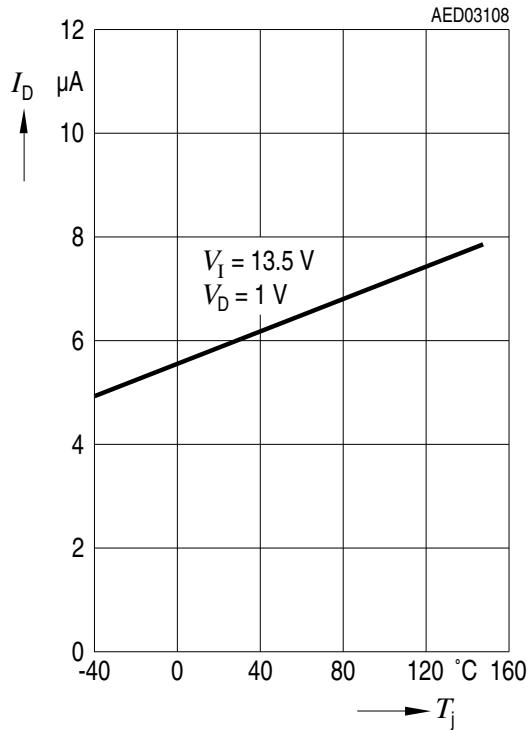
**Output Voltage  $V_Q$  (PIN  $V_{CCO}$ ) versus Input Voltage  $V_I$  (PIN  $V_{BAT}$ )**



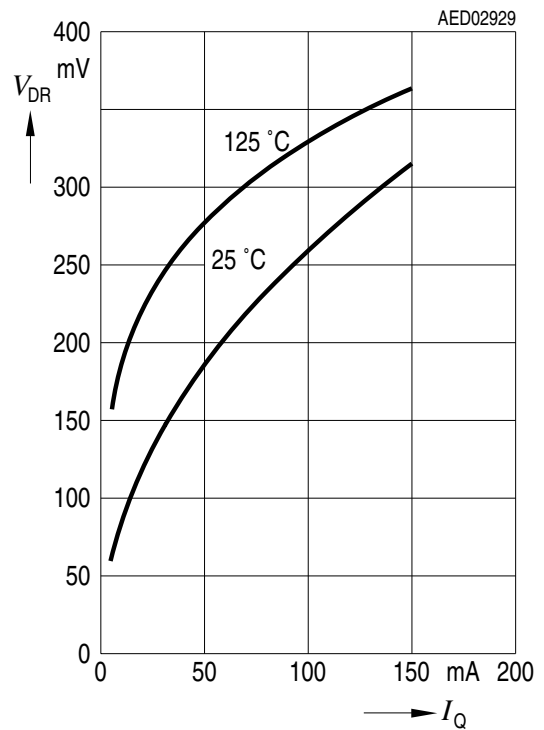
**Output Voltage  $V_Q$  (PIN  $V_{CCO}$ ) versus Temperature  $T_j$**



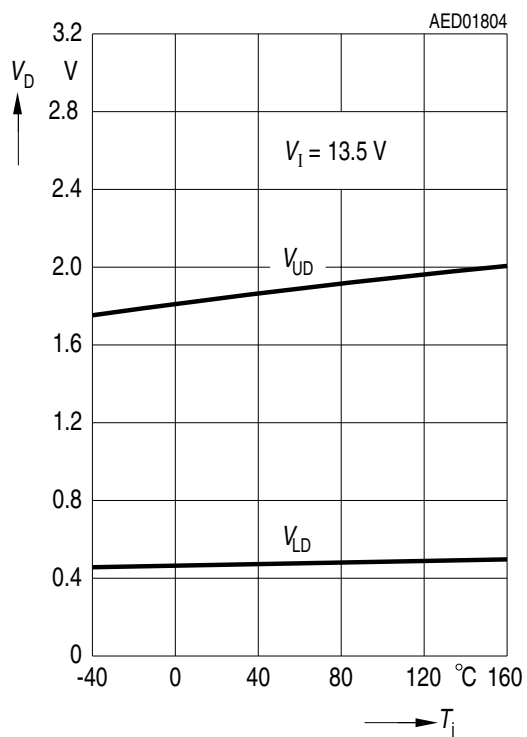
**Charge Current  $I_{ch}$  versus Temperature  $T_j$**



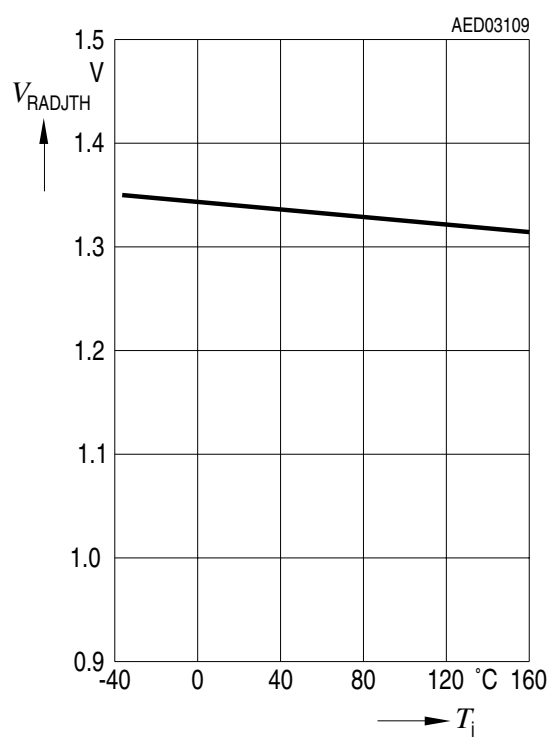
**Drop Voltage  $V_{dr}$  versus Output Current  $I_Q$  (PIN  $V_{CC0}$ )**



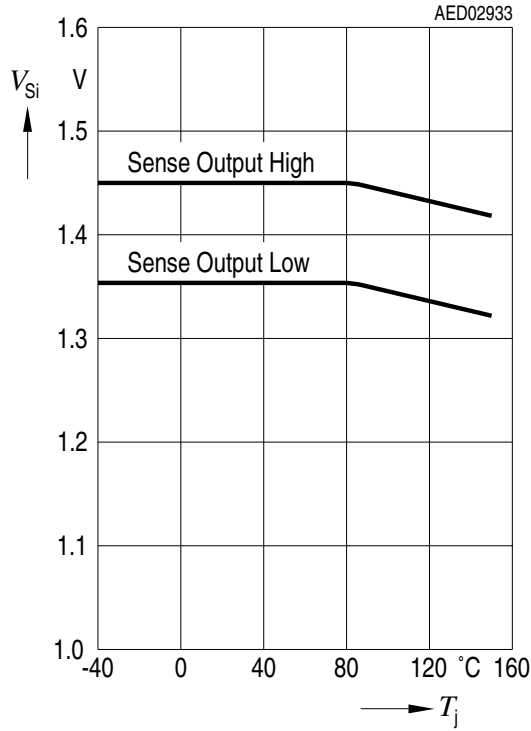
**Switching Voltage  $V_{dt}$  and  $V_{st}$  versus Temperature  $T_j$**



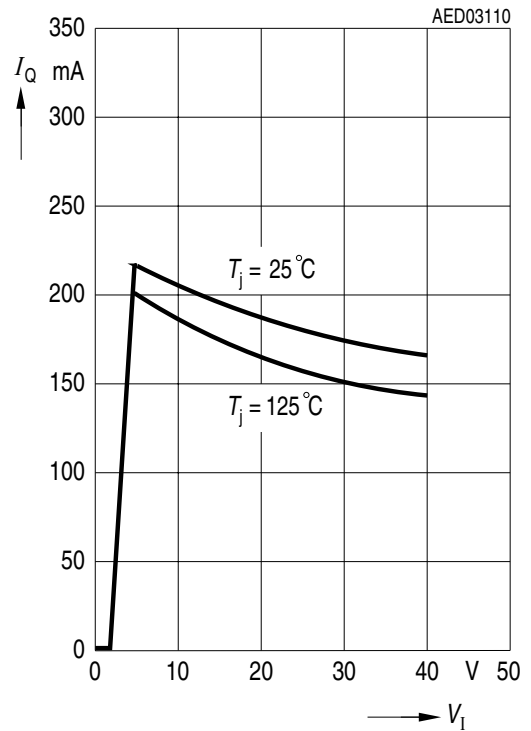
**Reset Adjust Switching Threshold  $V_{RADJTH}$  versus Temperature  $T_j$**



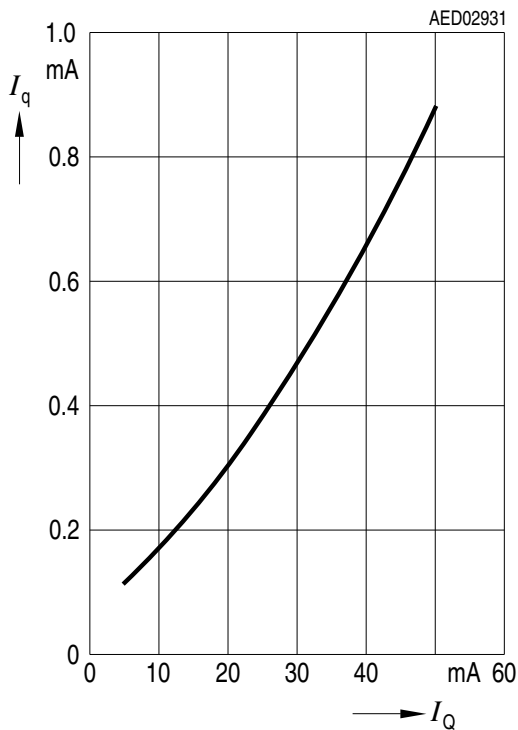
**Sense Threshold  $V_{Si}$  versus Temperature  $T_j$**



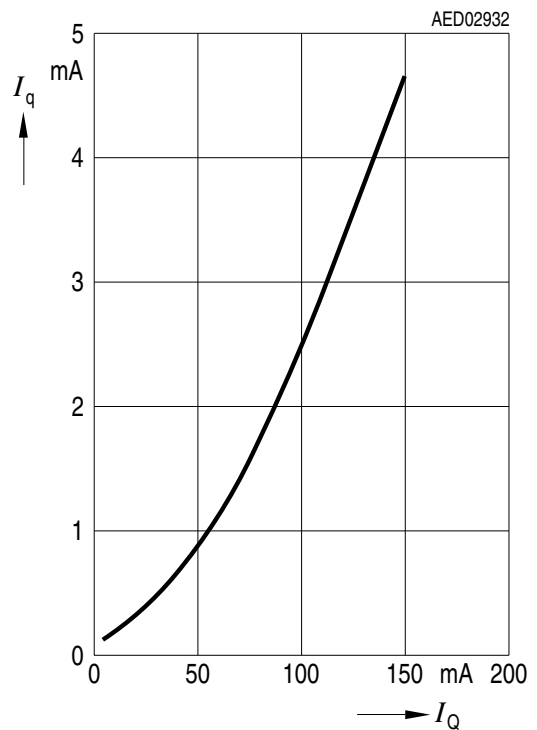
**Output Current Limit  $I_Q$  (PIN  $V_{CCO}$ ) versus Input Voltage  $V_I$  (PIN  $V_{BAT}$ )**



**Current Consumption  $I_q$  versus Output Current  $I_Q$**



**Current Consumption  $I_q$  versus Output Current  $I_Q$**



### Application

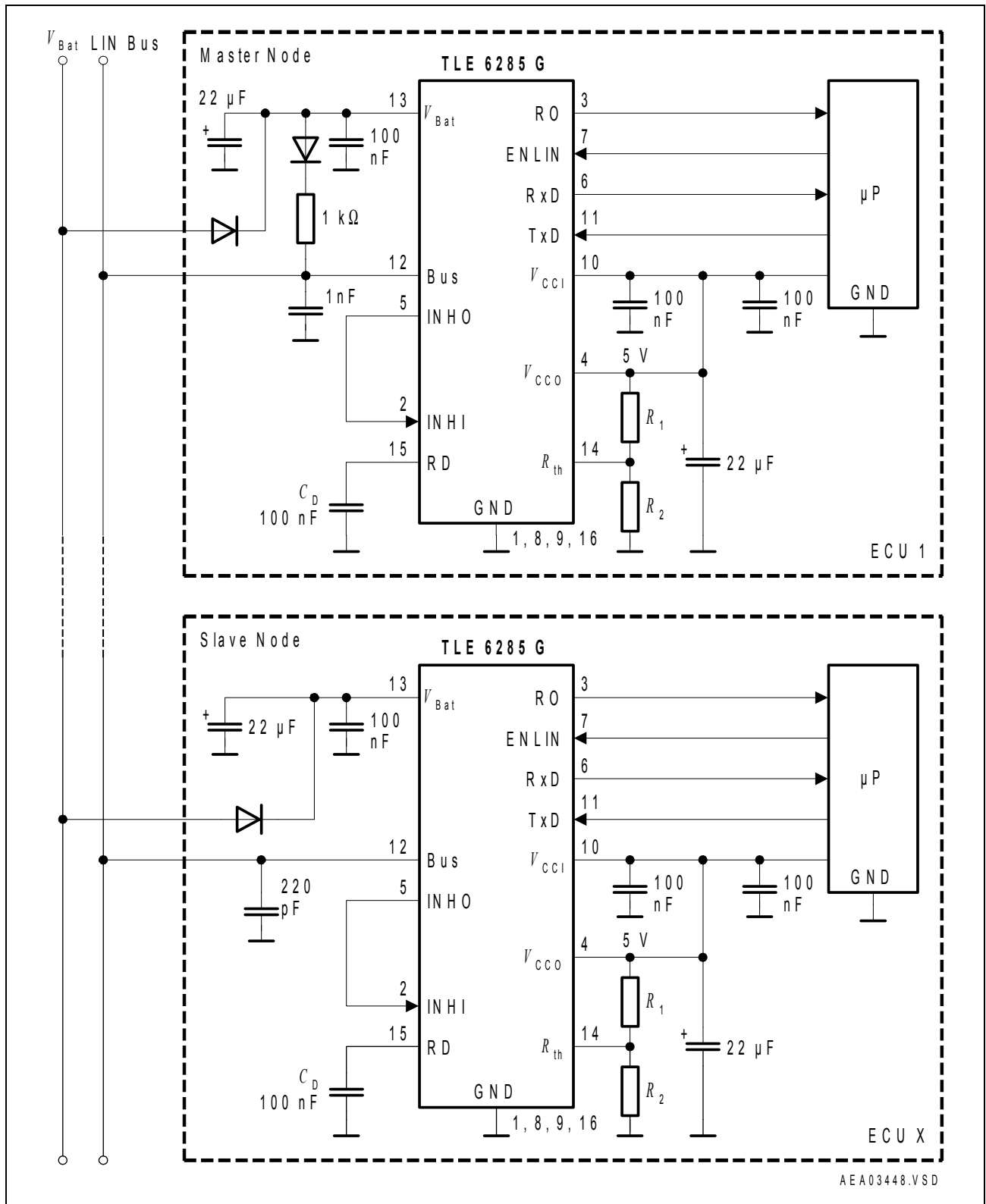
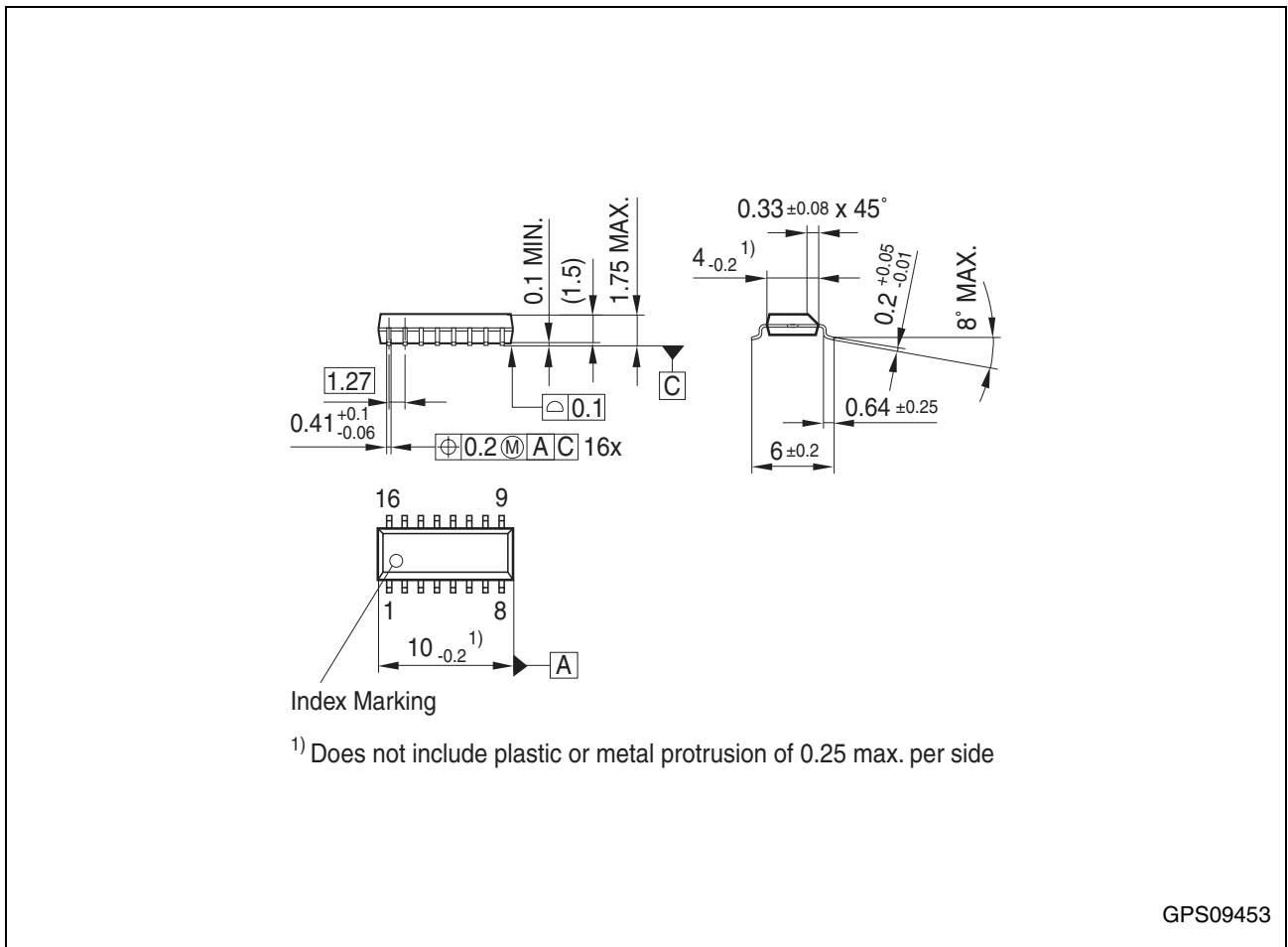


Figure 5 Application Example



### Package Outlines



**Figure 6** P-DSO-16-11 (Plastic Dual Small Outline)

You can find all of our packages, sorts of packing and others in our Infineon Internet Page "Products": <http://www.infineon.com/products>.

SMD = Surface Mounted Device

Dimensions in mm