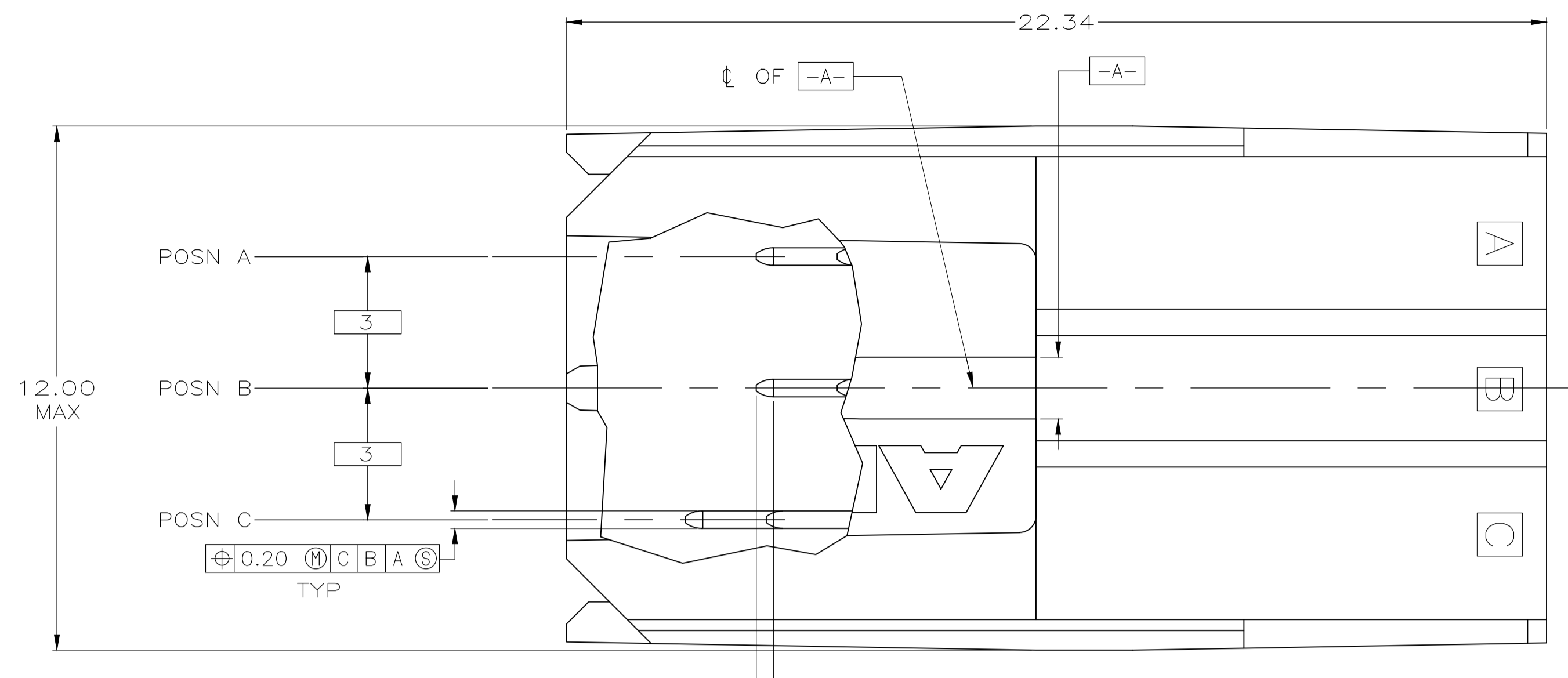
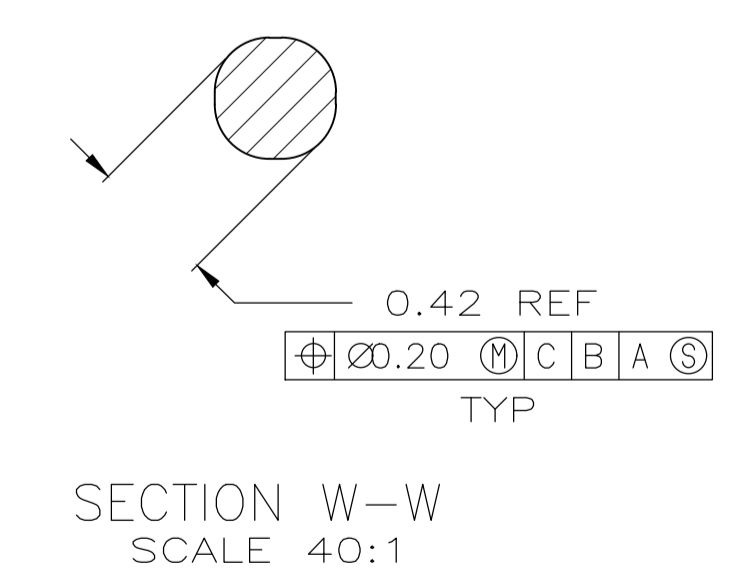
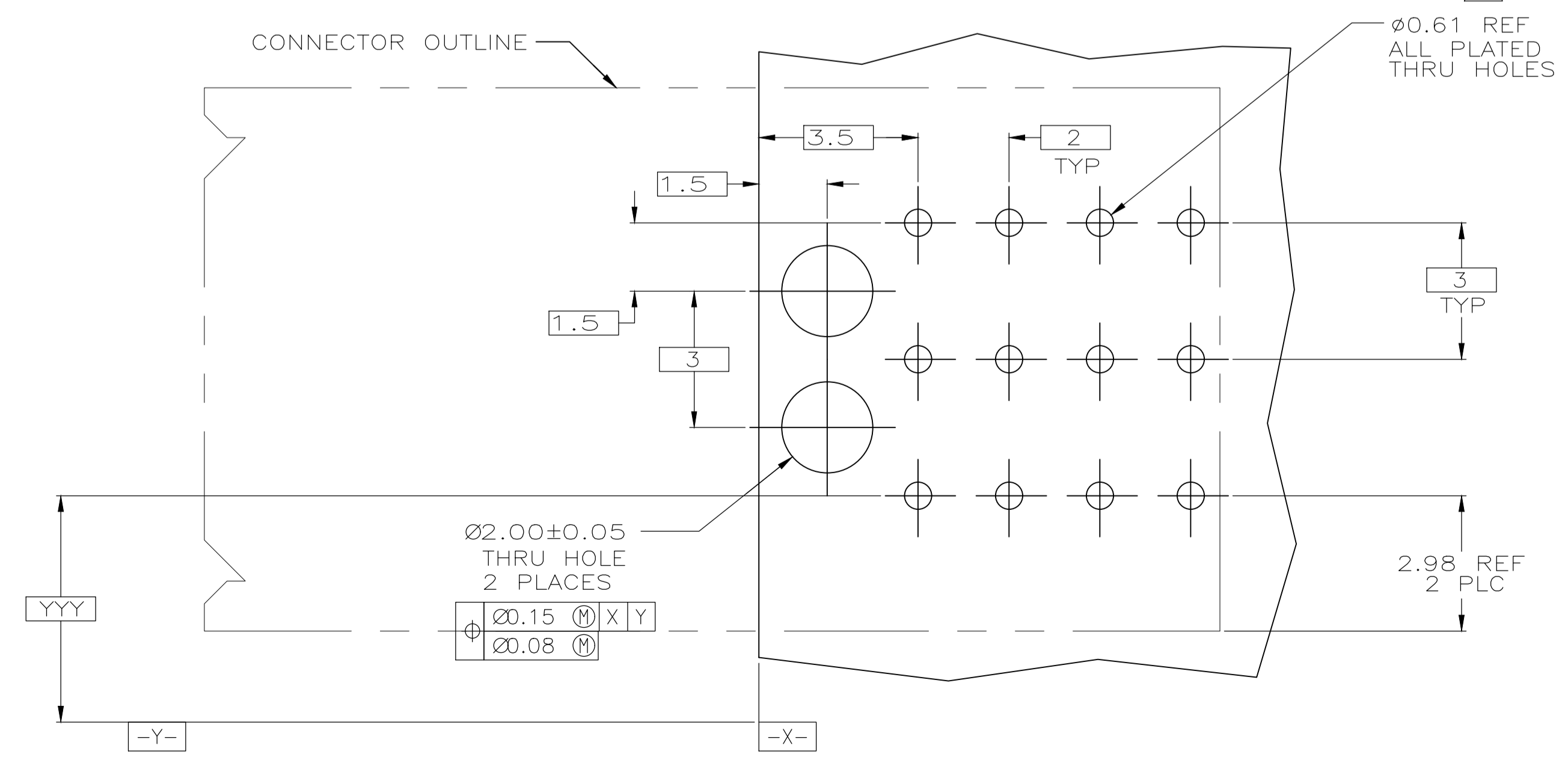
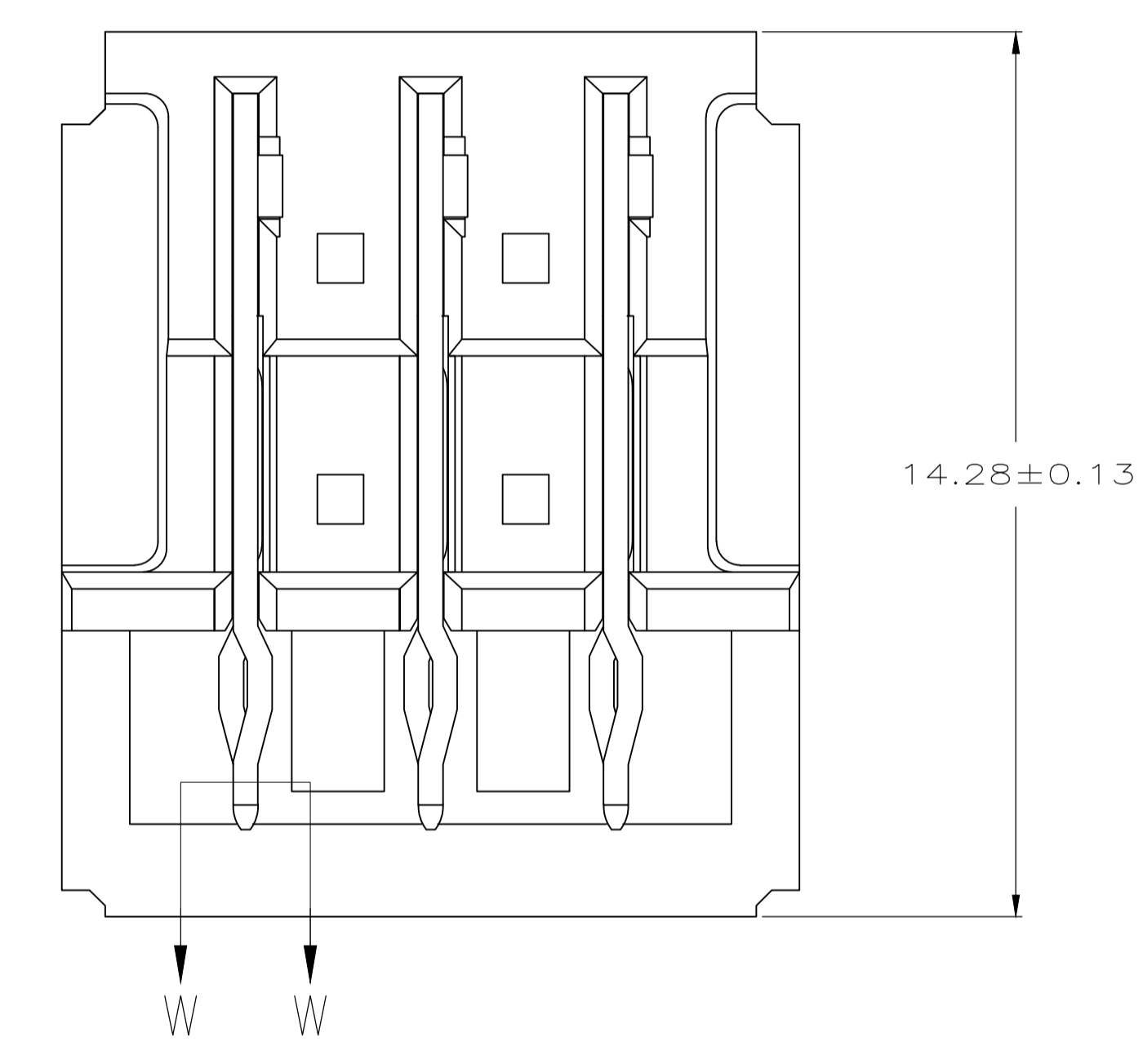
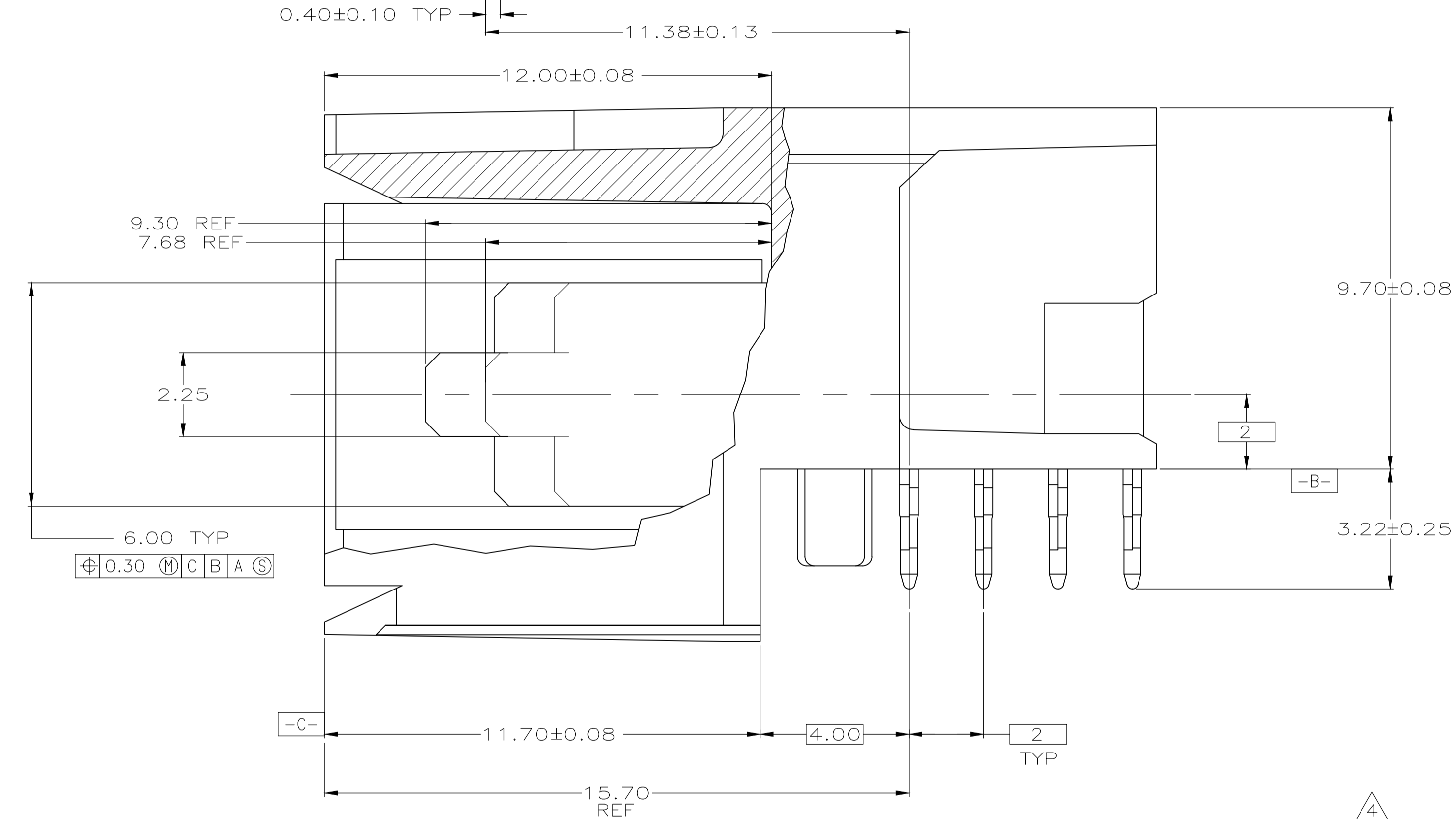
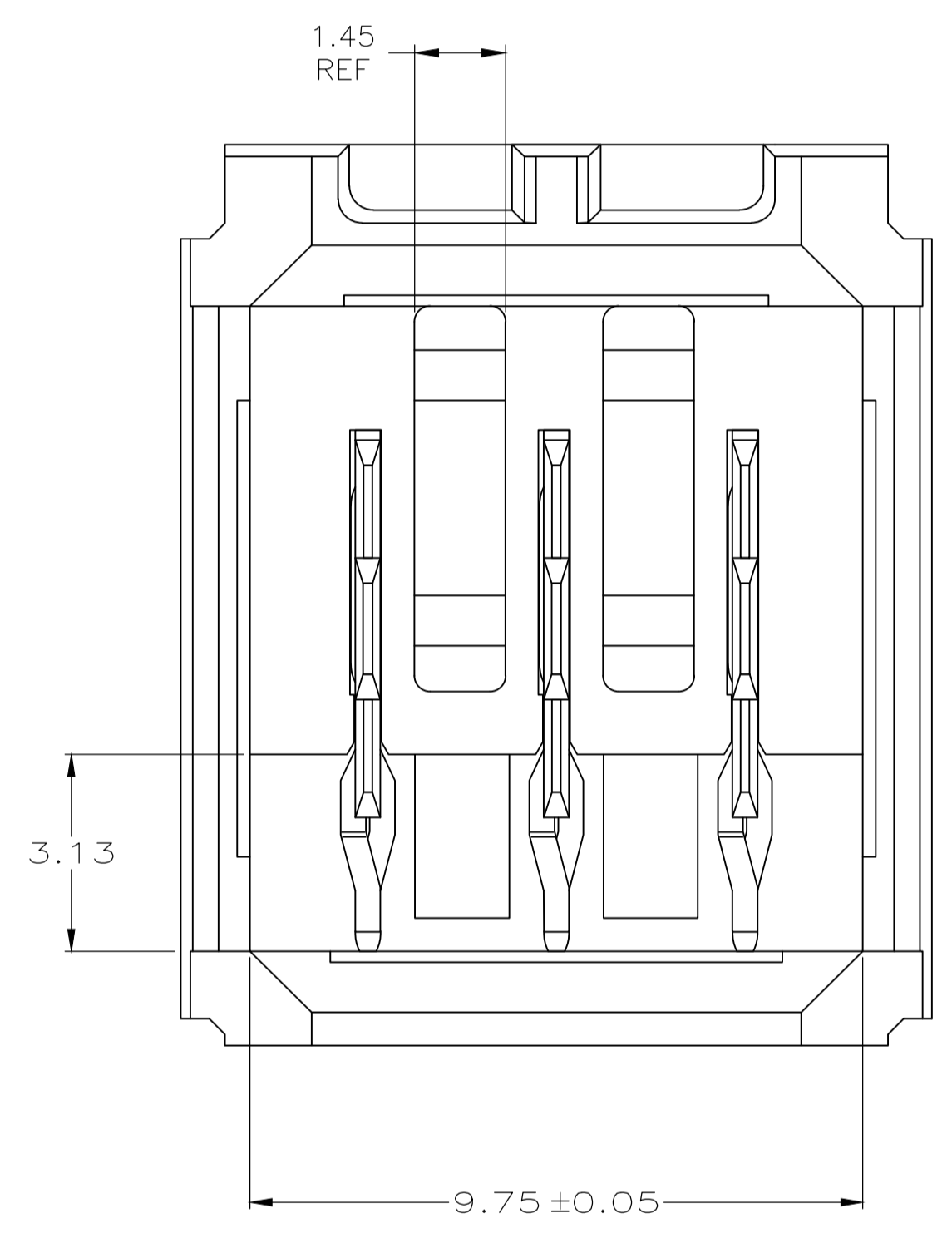


LOC		DIST		REVISIONS			
AD	00	REV	DATE	BY	APPV		
C1		REVISED PER ECO-19-016824	10AUG2020	ML	SZ		



- 1 MATERIAL: HOUSING: POLYESTER. COLOR: GRAY. UL 94V-0. CONTACT: COPPER ALLOY.
- 2 FINISH: IN ACCORDANCE WITH PRODUCT SPECIFICATION 108-1651, GOLD PLATING OR EQUIVALENT PLATING ON PRODUCT CONTACT MATING AREA, AND MATTE TIN PLATING ON COMPLIANT PIN AREA, ALL OVER MATTE NICKEL UNDERPLATED. DETAIL PLEASE REFER TO PRODUCT SPECIFICATION 108-1651
- 3 FINISH: CONTACT LUBRICATION WITH BELLCORE APPROVED LUBRICANT. TECHNICAL REFERENCE: TR-NWT-001217 ISSUE 1, SEPT 1992.
- 4 REFERENCE APPLICATION SPEC 114-1103 FOR RECOMMENDED PLATED THRU HOLE DIAMETER AND PLATING THICKNESS.
- 5 CURRENT RATING 10A/CONTACT PER PRODUCT SPEC 108-1651.



DELETED 5223980-1 PART NUMBER

THIS DRAWING IS A CONTROLLED DOCUMENT.		DIN B CARBO 130EC04	Tyco Electronics Corporation Harrisburg, Pa 17105-3608
DIMENSIONS: mm		CHK R PATTERSON 130EC04	
TOLERANCES UNLESS OTHERWISE SPECIFIED:		APPV R PATTERSON 130EC04	NAME
0 PLC	± -	PRODUCT SPEC	
1 PLC	± -	APPLICATION SPEC	
2 PLC	± 0.13	SIZE	
3 PLC	± -	CASE CODE	
4 PLC	± -	DRAWING NO	
ANGLES	± -	RESTRICTED TO	
MATERIAL	FINISH	WEIGHT	A1 00779 C=5223980
CUSTOMER DRAWING		SCALE 10:1	SHEET 1 OF 1 REV C1

RECOMMENDED PCB HOLE LAYOUT