

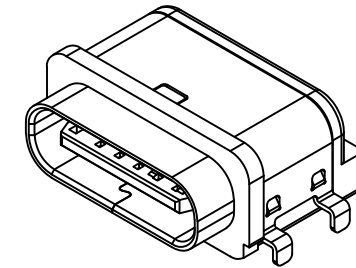
Recommended PCB Layout

Thickness 0.80±0.10mm

Tolerance: ±0.05mm

■ Solder Area □ Component Outline

Pin	Signal	Mating Sequence
A5	CC1	Second
A9	Vbus	First
A12	GND	First
B5	CC2	Second
B9	Vbus	First
B12	GND	First
SHELL	GND	



Specifications

Material

Insulator: LCP, UL 94V-0, Black

Contact: Copper Alloy

Shell: Stainless Steel

Shielding Plate: Stainless Steel

Gasket: Silicone Rubber, Part No.: USBTJ-04,

Shore Hardness 60A

(Gasket+Connector can be ordered separately or together as a KIT - USB4715-GF-A-KIT)

Plating

Contact

Contact Area: Gold Flash

Solder Tails: Tin over Nickel

Shell: Nickel

Shielding Plate: Nickel

Electrical

Current Rating: 3.00A collectively for Vbus pins

4.25A collectively for GND pins

1.25A for A5/B5 pin

Voltage Rating: 20V DC

Contact Resistance: 40mΩ max initial.

50mΩ max after test

Dielectric Withstanding Voltage: 100V AC

Insulation Resistance 100MΩ min

Mechanical & Environmental

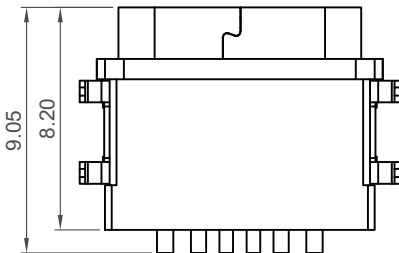
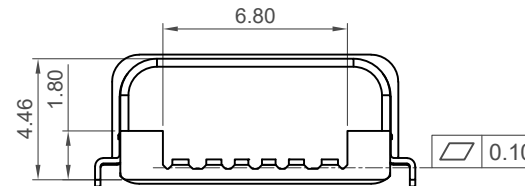
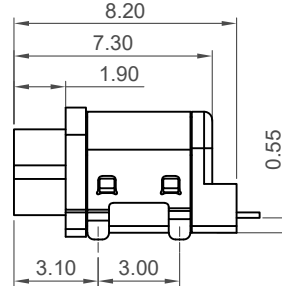
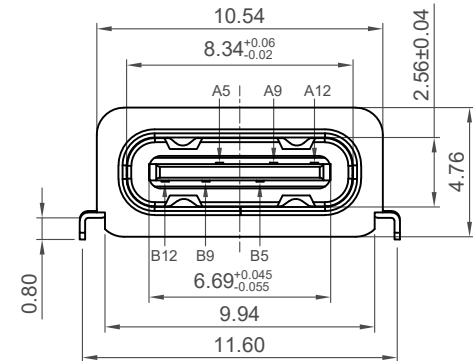
Operating Temperature: -30°C to +85°C

Mating Force: 5 to 20 N.

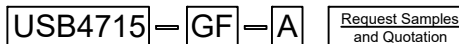
Unmated Force: 6 to 20 N after test

Durability: 10,000 cycles

Ingress Protection Rating: IP67



Ordering Grid



Contact Plating
GF = Gold Flash

Packing Options
A = Tape & Reel (700 per reel)

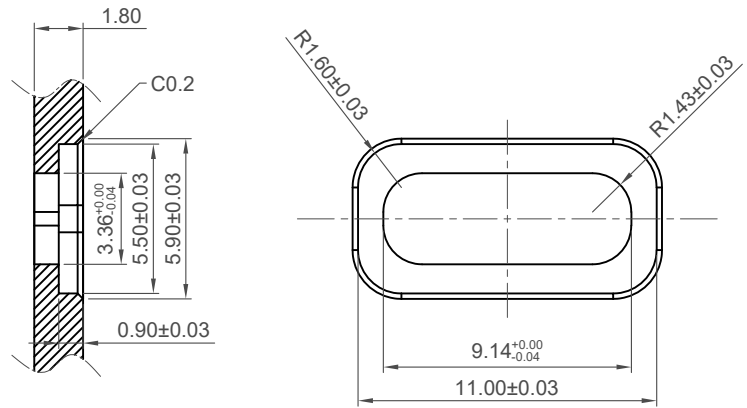
Part Number		Product Description	
USB4715		Type C Receptacle, Horizontal, Mid-Mount, SMT, IP67, For Power Charging Only, 6 Pin	
Drawing Date		4th July 2022	
By	CC	Tolerances (Except as Noted)	Units:
Detail	Drawing Release	Length	Metric (mm)
Revision	A1	Angle	
Date	17/07/23	X.X ± 0.30	
		X.XX ± 0.25	
		X.XXX ± 0.10	



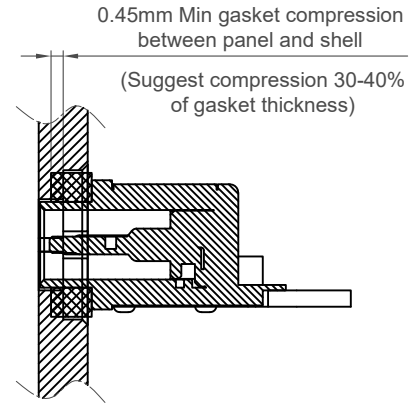
This drawing is confidential and copyright of Global Connector Technology, Ltd (GCT). This drawing must not be copied or disclosed without written consent. E & OE



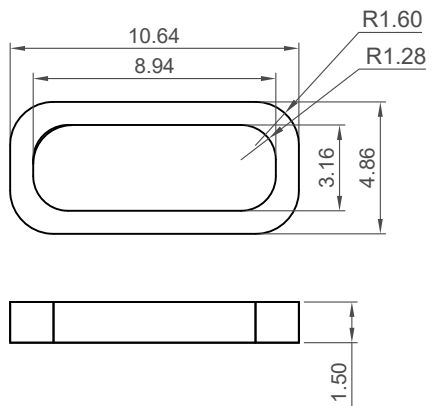
Not to Scale	Drawn By CC	Sheet No. 1/4
--------------	-------------	---------------



Recommended Panel Spec



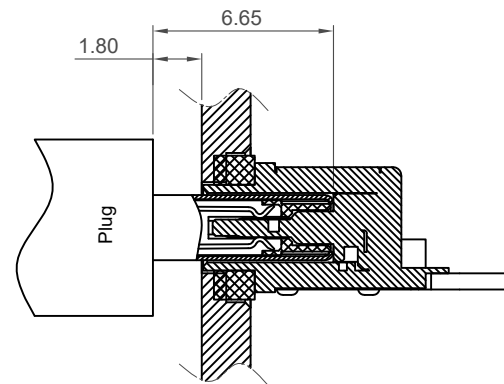
(Suggest compression 30-40% of gasket thickness)






Recommended Waterproof Gasket

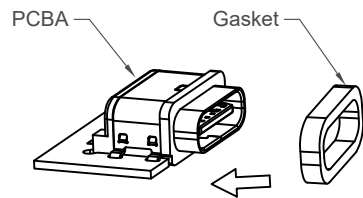
Gasket Part No.: USBTJ-04

(Gasket+Connector can be ordered separately or together as a KIT - USB4715-GF-A-KIT)
(See separate datasheet for specification)

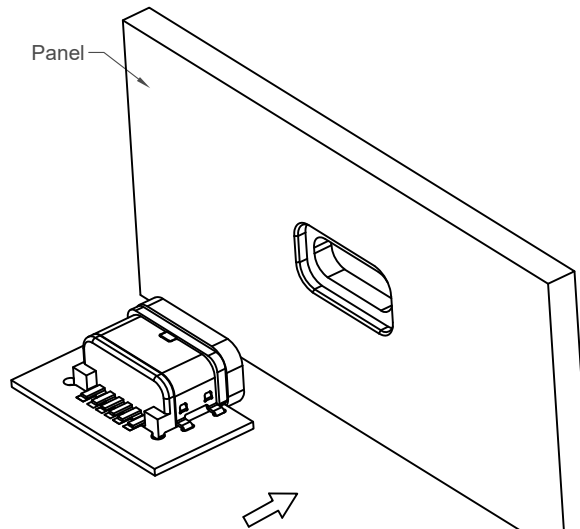


Plug and Receptacle Mating View

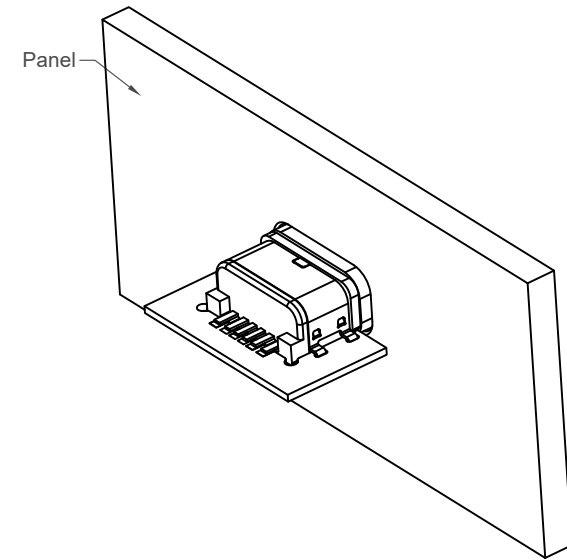
Part Number		Product Description		 www.gct.co	
USB4715		Type C Receptacle, Horizontal, Mid-Mount, SMT, IP67, For Power Charging Only, 6 Pin			
Drawing Date		4th July 2022			
By		CC			
Detail	Drawing Release	Tolerances (Except as Noted)	Units:		 This drawing is confidential and copyright of Global Connector Technology, Ltd (GCT). This drawing must not be copied or disclosed without written consent. E & OE
Revision	A1	Length	Metric (mm)		
Date	17/07/23	Angle	3rd Angle Projection		
		X.X ± 0.30			Not to Scale
		X.XX ± 0.25			Drawn By
		X.XXX ± 0.10			CC
					Sheet No.
					2/4



Step 1







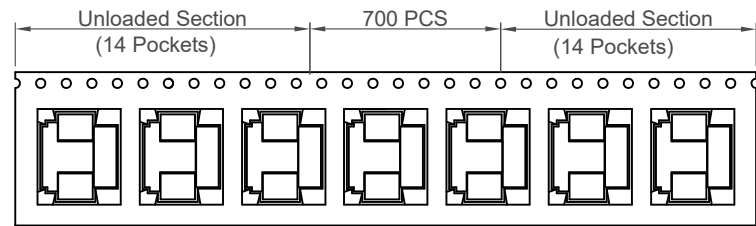
Step 2



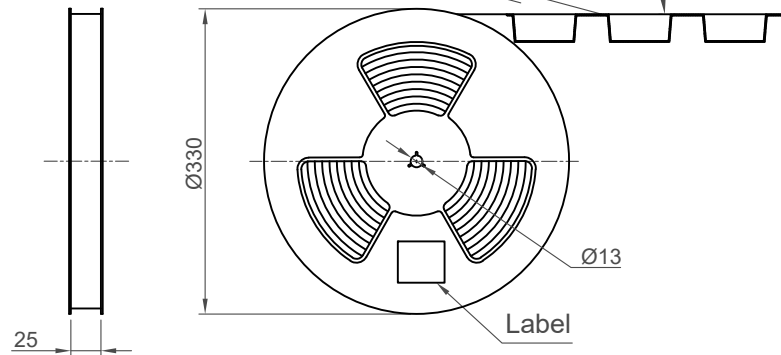
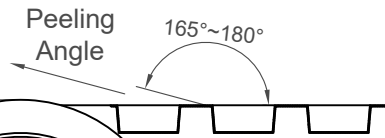
Step 3

Assembly instruction for Gasket set after Reflow
 Available for Type C Receptacle Waterproof Series

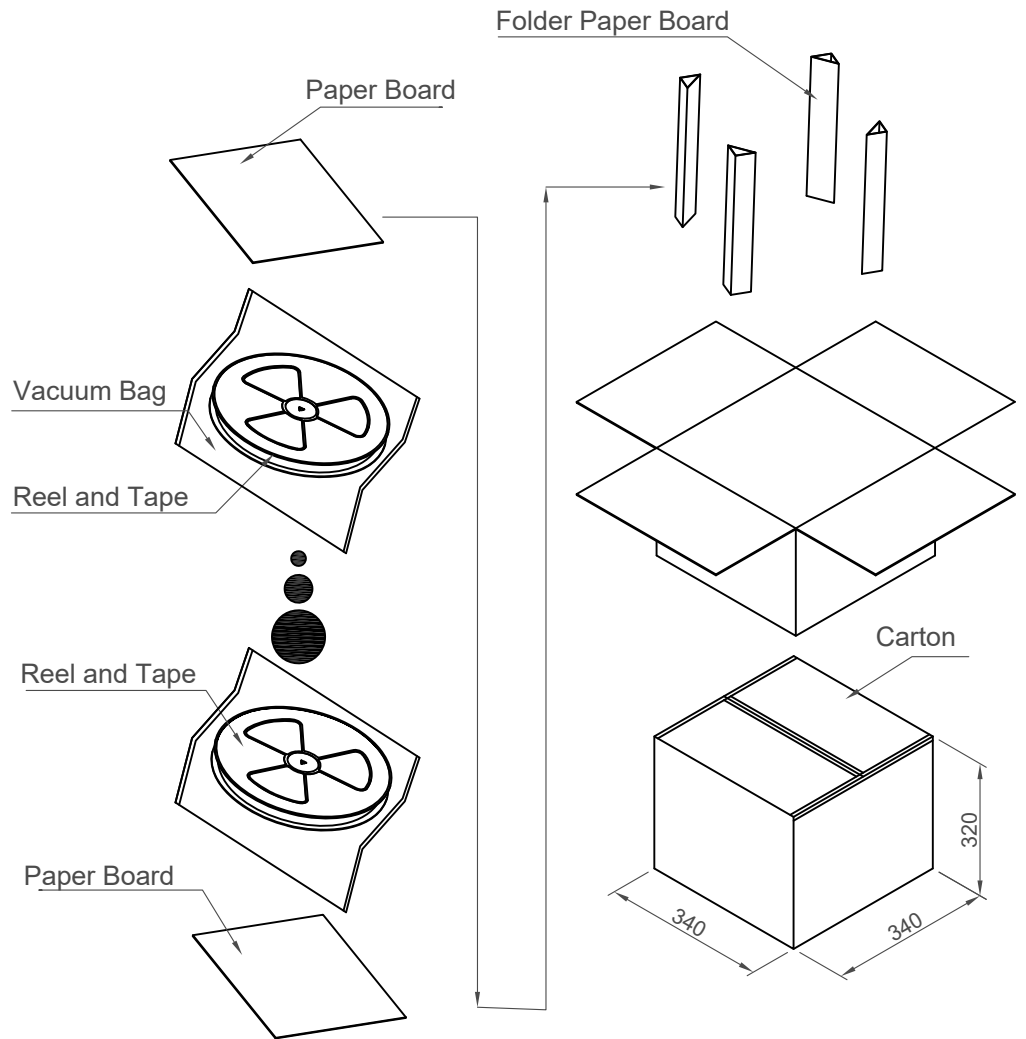
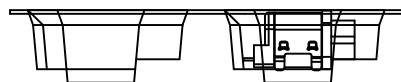
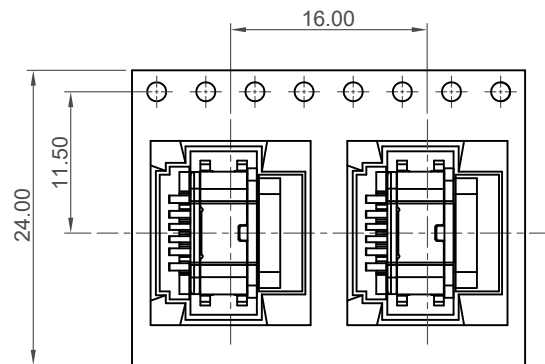
Part Number		Product Description	
USB4715		Type C Receptacle, Horizontal, Mid-Mount, SMT, IP67, For Power Charging Only, 6 Pin	
Drawing Date		4th July 2022	
By	CC	Tolerances (Except as Noted)	Units:
Detail	Drawing Release	Length X.X ± 0.30	Metric (mm)
Revision	A1	Angle X.XX ± 0.25	 3rd Angle Projection
Date	17/07/23	X.XXX ± 0.10	
		 This drawing is confidential and copyright of Global Connector Technology, Ltd (GCT). This drawing must not be copied or disclosed without written consent. E & OE	
Not to Scale	Drawn By CC	Sheet No. 3/4	 www.gct.co



Direction of Unreeling



Direction of Unreeling



Pcs / Reel	Reels / Carton	Total Quantity
700	10	7,000 pcs

Part Number		Product Description	
USB4715		Type C Receptacle, Horizontal, Mid-Mount, SMT, IP67, For Power Charging Only, 6 Pin	
Drawing Date		4th July 2022	
By	CC	Tolerances (Except as Noted)	Units:
Detail	Drawing Release	Length	Metric (mm)
Revision	A1	Angle	3rd Angle Projection
Date	17/07/23		



This drawing is confidential and copyright of Global Connector Technology, Ltd (GCT). This drawing must not be copied or disclosed without written consent. E & OE



Not to Scale Drawn By CC Sheet No. 4/4