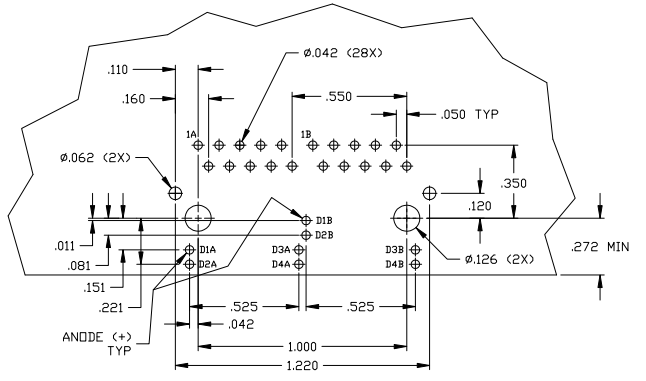
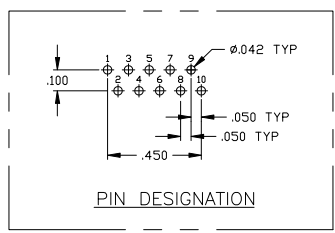
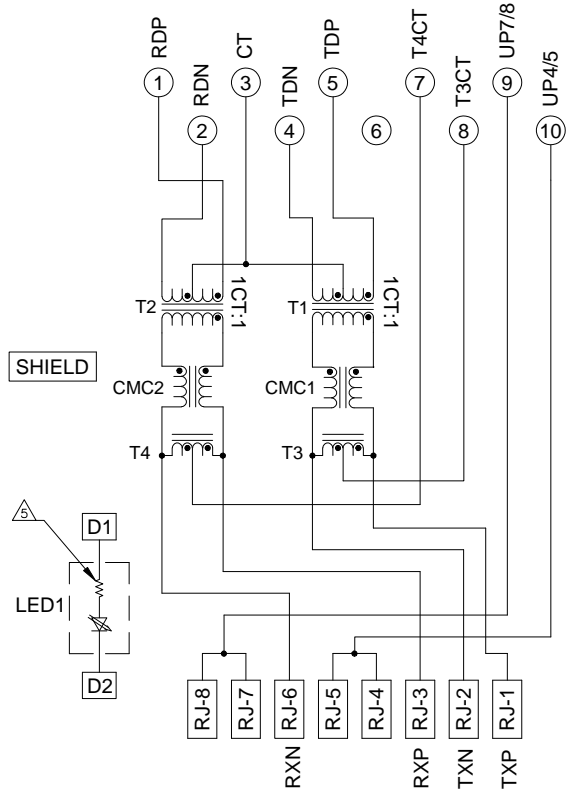


- MATERIALS:**
- HOUSING - THERMOPLASTIC PET POLYESTER FLAMMABILITY RATING UL 94V-0
 - SHIELD - .010" THICK, C26800 BRASS PREPLATED WITH 30μINCH MIN SEMI-BRIGHT NICKEL. SOLDER TABS POST DIPPED WITH 100μINCH MIN SAC SOLDER.
 - MOD JACK CONTACTS - 0.0157 X 0.018" PHOSPHOR BRONZE, 50μINCH MIN OVERALL NICKEL UNDERPLATE WITH SELECT 50μINCH MIN HARD GOLD FINISH PLATE.
 - SOLDER TAILS WITH 100μINCH MIN MATTE TIN AND/OR SAC SOLDER DIP.
 - LIGHT EMITTING DIODE(LED) - DIFFUSED EPOXY LENS, .020" X .020" CARBON STEEL WIREFRAME LEADS PRE-PLATED WITH 80μINCH SILVER OVER 40μINCH NICKEL UNDERPLATE OVER 40μINCH COPPER UNDERPLATE. POST-PLATED WITH 100μINCH MIN MATTE TIN AND/OR SAC SOLDER DIP OR PURE TIN SOLDER DIP.
- RJ45 JACK CAVITY CONFORMS TO FCC RULES AND REGULATIONS PART 68, SUB PART F.**
- MAGNETICS**
- IMPEDANCE: 100 OHMS
 - TURNS RATIO (CHP-CABLE): TX = 11, RX = 11
 - OPEN CIRCUIT INDUCTANCE (OCL): 350μH MIN @100kHz, 0.1VRMS, 8mADC BIAS FROM 0°C TO 70°C, TX AND RX
 - POE CURRENT: 350mADC MAX
 - PERFORMANCE @ 25°C:
 - INSERTION LOSS (IL): 11dB MAX FROM 0.5MHz TO 100MHz
 - RETURN LOSS (RL): 18dB MIN FROM 0.5MHz TO 30MHz
 - 18-20LOG(f/30)dB MIN FROM 30.1MHz TO 60MHz
 - 12dB MIN FROM 60.1MHz TO 80MHz
 - CROSSTALK ATTENUATION: 35dB MIN FROM 0.5MHz TO 40MHz
 - 33-20*LOG(f/50)dB MIN FROM 4.01MHz TO 100MHz
 - COMMON MODE REJECTION RATIO (CMRR): 30dB MIN FROM 0.5MHz TO 100MHz
 - ISOLATION VOLTAGE: COMPLIES WITH IEEE802.3af 2003, PARA 33.4.1, ITEM a.
- 4. OPERATING TEMPERATURE: FROM 0°C TO -70°C.**
- 5. LEDs WITH BUILT-IN RESISTOR**
 LEDs ARE DRIVEN WITH 5V VOLTAGE AND THE MAX OPERATING CURRENT IS 20mA.
 LED COLOR : DOMINANT WAVELENGTH (λD): GREEN 568 nm TYP. @ VF=5V
 FORWARD CURRENT (IF): GREEN 12 mA TYP. @ VF=5V
 DOMINANT WAVELENGTH (λD): YELLOW 588 nm TYP. @ VF=5V
 FORWARD CURRENT (IF): YELLOW 13 mA TYP. @ VF=5V
- 6. INDICATED CONNECTIONS ARE FOR NIC CONFIGURATION THE MAGNETICS ARE SYMMETRICAL AND ARE AUTO-MDI/MIX CAPABLE.**
- 7. TYCO ELECTRONICS LOGO, PART NUMBER, DATE CODE, COUNTRY OF ORIGIN AND AGENCY APPROVAL MARKING IN APPROXIMATE LOCATION SHOWN.**
- 8. THE PART IS RECOMMENDED FOR WAVE SOLDERING PROCESS, PEAK WAVE SOLDERING TEMPERATURE IS 265°C MAX, 10 SECONDS MAX.**

THIS DRAWING IS A CONTROLLED DOCUMENT	DATE	REVISED	REVISION	1-6610128-1
DESIGNED BY	J. FERNANDEZ	DATE	1/10/00	TE Connectivity
CHECKED BY		DATE		
APPROVED BY		DATE		
DATE	10/10/00	DATE		
REV	A	DATE	10/10/00	
REV	1	DATE		
REV	2	DATE		
REV	3	DATE		
REV	4	DATE		
REV	5	DATE		
REV	6	DATE		
REV	7	DATE		
REV	8	DATE		
REV	9	DATE		
REV	10	DATE		
REV	11	DATE		
REV	12	DATE		
REV	13	DATE		
REV	14	DATE		
REV	15	DATE		
REV	16	DATE		
REV	17	DATE		
REV	18	DATE		
REV	19	DATE		
REV	20	DATE		
REV	21	DATE		
REV	22	DATE		
REV	23	DATE		
REV	24	DATE		
REV	25	DATE		
REV	26	DATE		
REV	27	DATE		
REV	28	DATE		
REV	29	DATE		
REV	30	DATE		
REV	31	DATE		
REV	32	DATE		
REV	33	DATE		
REV	34	DATE		
REV	35	DATE		
REV	36	DATE		
REV	37	DATE		
REV	38	DATE		
REV	39	DATE		
REV	40	DATE		
REV	41	DATE		
REV	42	DATE		
REV	43	DATE		
REV	44	DATE		
REV	45	DATE		
REV	46	DATE		
REV	47	DATE		
REV	48	DATE		
REV	49	DATE		
REV	50	DATE		
REV	51	DATE		
REV	52	DATE		
REV	53	DATE		
REV	54	DATE		
REV	55	DATE		
REV	56	DATE		
REV	57	DATE		
REV	58	DATE		
REV	59	DATE		
REV	60	DATE		
REV	61	DATE		
REV	62	DATE		
REV	63	DATE		
REV	64	DATE		
REV	65	DATE		
REV	66	DATE		
REV	67	DATE		
REV	68	DATE		
REV	69	DATE		
REV	70	DATE		
REV	71	DATE		
REV	72	DATE		
REV	73	DATE		
REV	74	DATE		
REV	75	DATE		
REV	76	DATE		
REV	77	DATE		
REV	78	DATE		
REV	79	DATE		
REV	80	DATE		
REV	81	DATE		
REV	82	DATE		
REV	83	DATE		
REV	84	DATE		
REV	85	DATE		
REV	86	DATE		
REV	87	DATE		
REV	88	DATE		
REV	89	DATE		
REV	90	DATE		
REV	91	DATE		
REV	92	DATE		
REV	93	DATE		
REV	94	DATE		
REV	95	DATE		
REV	96	DATE		
REV	97	DATE		
REV	98	DATE		
REV	99	DATE		
REV	100	DATE		

7V15 MAGNETIC CIRCUIT



THIS DRAWING IS A CONTROLLED DOCUMENT		REV. AA	DATE 22	DESCRIPTION
DESIGNED BY	APPROVED BY	DATE	REV. AA	DESCRIPTION
108-2100				
CUSTOMER DRAWING		DATE 4-11	SHEET 2	REV. 0