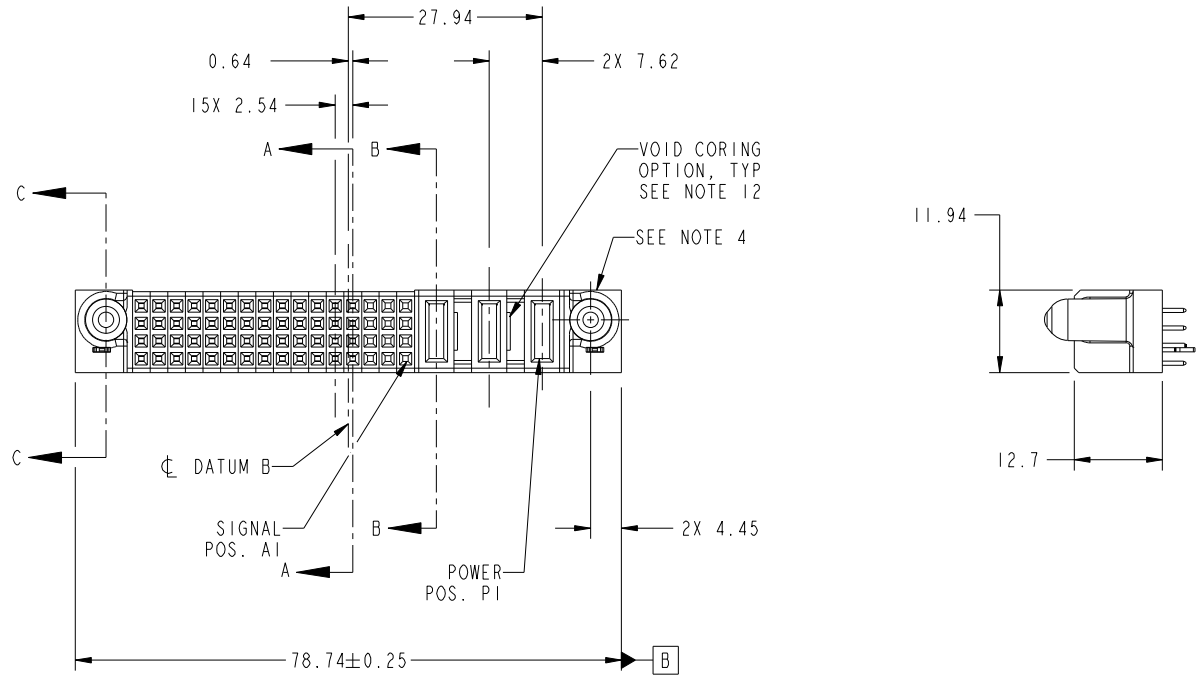


Tous droits strictement réservés. Reproduction ou communication a des tiers interdite sous quelque forme que ce soit sans autorisation écrite du propriétaire. Propriété de c FCI. Droits de reproduction FCI.



All rights strictly reserved. Reproduction or issue to third parties in any form whatever is not permitted without written authority from the proprietor. Property of FCI. Copyright FCI.

PRODUCT NO.	ROWS	SIGNAL																POWER			E1						
		E2	16	15	14	13	12	11	10	9	8	7	6	5	4	3	2	1	P3	P2		P1					
51940-327-- NOTE: 3	D C B A		E	E	E	E	E	E	E	E	E	E	E	E	E	E	E	X	X	X	X	X	X	PA	PA	PA	



CODE	DIM "M" MATING LENGTH	CONTACT TYPE
E	[N/A]	SIGNAL
PA	[1.07]	POWER
HA	[N/A]	HOLD-DOWN
X	OMITTED	OMITTED

mat'l code				SEE NOTES		tolerances unless otherwise specified		CUSTOMER		FCI	
ltr	ecn no.	dr	date	linear		0.X ±0.5		COPY		www.fciconnect.com	
A	DG10-0033	AL	01/20/2010			0.XX ±0.25		projection		title	
				angles		0.XXX ±0.1				3ACP + 64S VERTICAL STB RECEPT	
				dr	Anson Liu	01/20/2010				product family	PwrBlade
				enr	Warren Du	01/20/2010		scale		size	code
				chr	PM Zheng	01/20/2010		1:1	A	dwg no	213
				appd	Joseph Hsia	01/20/2010				51940-327	sheet
sheet index	revision sheet	A	A	A	A						1 of 4
1	2	3	4								

cage code 22526

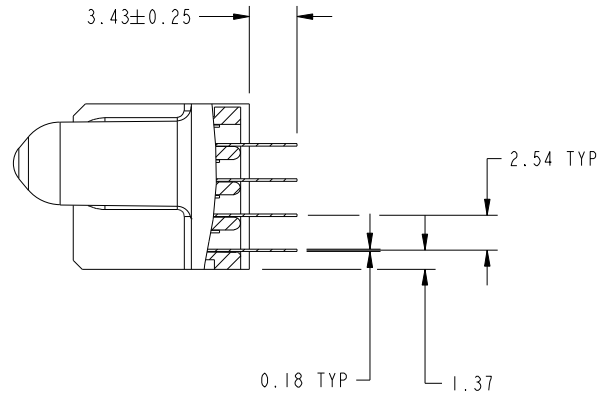
Pro/E

Tous droits strictement reserves. Reproduction ou communication a des tiers interdite sous quelque forme que ce soit sans autorisation ecrite du proprietaire. Propriete de c FCI. Droits de reproduction FCI.

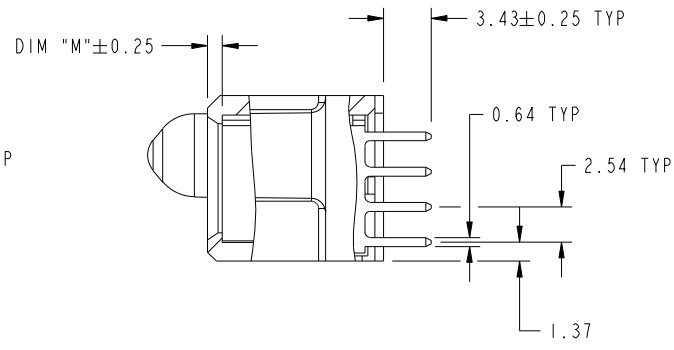


All rights strictly reserved. Reproduction or issue to third parties in any form whatever is not permitted without written authority from the proprietor. Property of FCI. Copyright FCI.

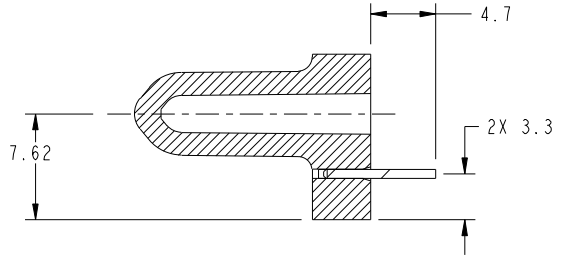
PRODUCT NUMBER  
51940-327--  
NOTE: 3



SECTION A-A  
SCALE 2:1



SECTION B-B  
SCALE 2:1



SECTION C-C  
SCALE 2:1

mat'l code				tolerances unless otherwise specified		CUSTOMER		FCI	
ltr	ecn no.	dr	date	linear	0.X ±0.5	COPY		www.fciconnect.com	
A	-	-	-		0.XX ±0.25	projection		title	
					0.XXX ±0.1			3ACP + 64S VERTICAL STB RECEIPT	
				angles	0° ±2°			product family PwrBlade code	
				dr	Anson Liu 01/20/2010	scale		size	
				enr	Warren Du 01/20/2010	1:1		dwg no	
				chr	PM Zheng 01/20/2010			51940-327	
				appd	Joseph Hsia 01/20/2010			sheet	
sheet index		revision sheet						2 of 4	

cage code 22526

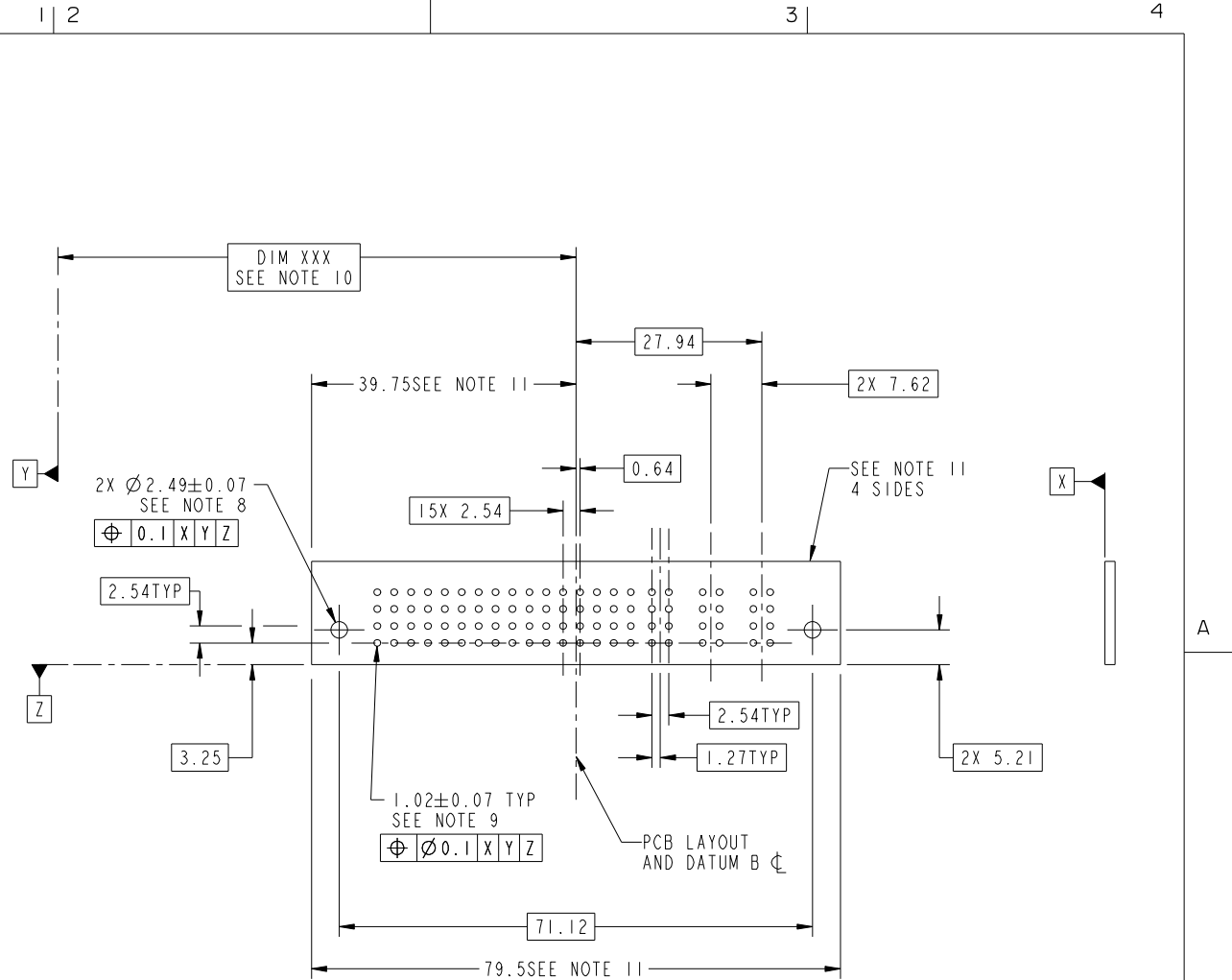
Pro/E

Tous droits strictement reserves. Reproduction ou communication a des tiers interdite sous quelque forme que ce soit sans autorisation écrite du propriétaire. Propriete de c FCI. Droits de reproduction FCI.

All rights strictly reserved. Reproduction or issue to third parties in any form whatever is not permitted without written authority from the proprietor. Property of FCI. Copyright FCI.



PRODUCT NUMBER  
51940-327\_\_  
NOTE: 3



mat'l code				tolerances unless otherwise specified		CUSTOMER		FCI	
ltr	ecn no.	dr	date	linear	0.X ±0.5	COPY		www.fciconnect.com	
A	- - -	-	-	angles	0.XX ±0.25	projection		title	
					0.XXX ±0.1			3ACP + 64S VERTICAL STB RECEPT	
				dr	Anson Liu 01/20/2010	MIM		product family PwrBlade code 213	
				enr	Warren Du 01/20/2010			size dwg no 213	
				chr	PM Zheng 01/20/2010	scale		sheet 3 of 4	
				appd	Joseph Hsia 01/20/2010	1:1		A 51940-327	
sheet index	revision sheet								

Pro/E

cage code 22526

Tous droits strictement reserves. Reproduction ou communication a des tiers interdite sous quelque forme que ce soit sans autorisation écrite du propriétaire. Propriete de c FCI. Droits de reproduction FCI.

All rights strictly reserved. Reproduction or issue to third parties in any form whatever is not permitted without written authority from the proprietor. Property of FCI. Copyright FCI.

PRODUCT NUMBER  
51940-327--  
NOTE: 3

NOTES:

1. DIMENSIONS AND TOLERANCES ARE IN ACCORDANCE WITH ASME Y14.5M, 1994 UNLESS OTHERWISE SPECIFIED.

CONNECTOR NOTES:

2 HOUSING MATERIAL: UL 94 V-0 GLASS FILLED HIGH-TEMP THERMOPLASTIC  
POWER CONTACT MATERIAL: COPPER ALLOY  
SIGNAL PIN MATERIAL: COPPER ALLOY

3. PLATING SPEC.  
SEE ITEM 586 IN PRINT 10064183 FOR PLATING SPEC OF 51752-032 ,51752-032LF RESPECTIVELY

4 MANUFACTURER'S NAME, DATE CODE AND OPTIONAL P/N TO APPEAR ON THIS SURFACE. THE P/N CAN BE OMITTED IF THERE IS NOT ENOUGH SPACE ON THIS SURFACE.

5. PRODUCT SPECIFICATION GS-12-149.  
APPLICATION SPECIFICATION BUS-20-067.

6. PACKAGED IN TRAYS.

PCB NOTES:

7. ALL HOLE DIAMETERS ARE FINISHED HOLE SIZE.

8 MOUNTING HOLES, WHERE APPLICABLE, ARE UNPLATED.

9  $\varnothing 1.151 \pm 0.025$  DRILLED HOLES PLATED WITH 0.008 MIN SnPb OR Sn OVER 0.03 TO 0.08 Cu PLATING TO ACHIEVE  $\varnothing 1.02 \pm 0.07$  HOLE.

10 "DIM XXX" TO BE DETERMINED BY THE CUSTOMER.

11 CONNECTOR KEEP-OUT ZONE.

12. THE VOID CORING IN BETWEEN POWER MODULES, SIGNAL MODULES AND END MODULES ARE OPTIONAL AND THE SHAPE MAY BE DIFFERENT FOR OPTIMIZE THE MOLDING PROCESS. THE VOID CORING WILL NOT EFFECT TO PRODUCT FUNCTION.

mat'l code				tolerances unless otherwise specified		CUSTOMER		FCI	
ltr	ecn no.	dr	date	linear	0.X ± 0.5	COPY		www.fciconnect.com	
A	---	-	---		0.XX ± 0.25	projection		title	
					0.XXX ± 0.1			3ACP + 64S VERTICAL STB RECEIPT	
				angles	0° ± 2°			product family PwrBlade code	
				dr	Anson Liu 01/20/2010	scale		size	
				enr	Warren Du 01/20/2010	1:1		dwg no	
				chr	PM Zheng 01/20/2010	A		51940-327	
				appd	Joseph Hsia 01/20/2010			sheet	
sheet index		revision sheet						4 of 4	

cage code 22526

Pro/E