

CUSTOMER PRINT

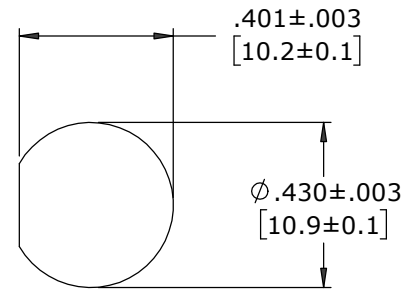
PART NUMBER: W17984-XPG-P-300

ASS'Y P/N	NO. OF CONTACTS	KEY STYLE
W17984-5PG-P-300	5 #26	A-KEY
W17984-6PG-P-300	6 #26	B-KEY
W17984-7PG-P-300	7 #26	A-KEY

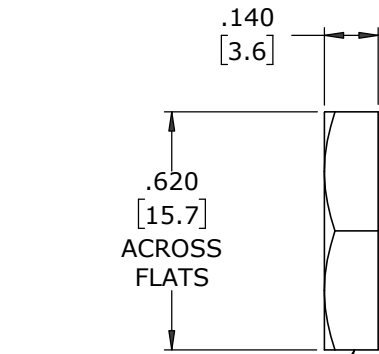
NOTES:

- PANEL CONNECTORS TO BE PACKED IN PARTITION BOX, 100 PC PER BOX
HEX NUT AND GASKET TO BE BULK PACKED IN A SEPARATE BAG FROM PANEL ASSEMBLY PACKAGE.
a) BOX LABELED WITH CXA PART NUMBER, QUANTITY, LOT # AND DATE CODE AS SHOWN
- CONTACTS ARE ASSEMBLED INTO PANEL CONNECTOR.
- SEE DRAWING HPMSTD FOR HOLE PATTERN.
- ALL DIMENSIONS ARE REFERENCE EXCEPT THOSE WITH A TOLERANCE

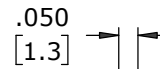
P/N: W17984-XPG-P-300
CONXALL
QTY:
Lot:
Date Code:



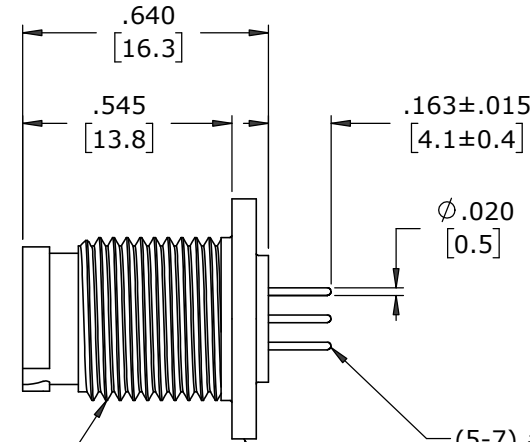
**RECOMMENDED
PANEL CUT-OUT**



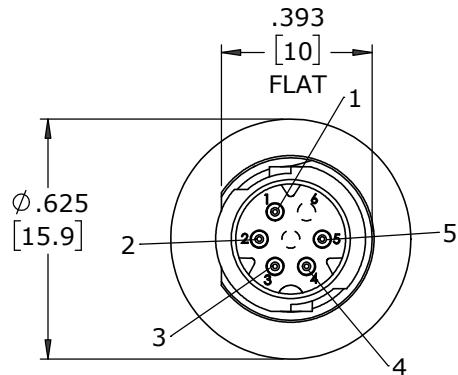
HEX NUT
MAT'L: UV PBT, BLACK



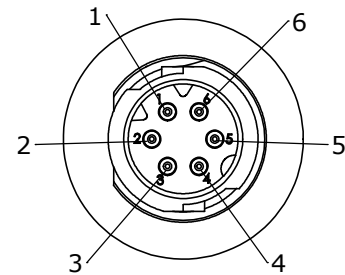
GASKET
MAT'L: NEOPRENE, BLACK



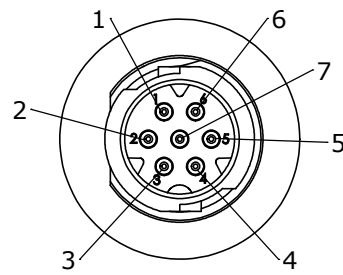
(5-7) #26 PIN CONTACTS, PC TAIL
MAT'L: GOLD PLATED COPPER ALLOY
PANEL CONNECTOR, MALE
MAT'L: UV PBT, BLACK



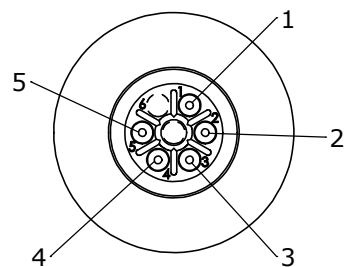
FACE VIEW
W17984-5PG-P-300
5 POSITION
A-KEY



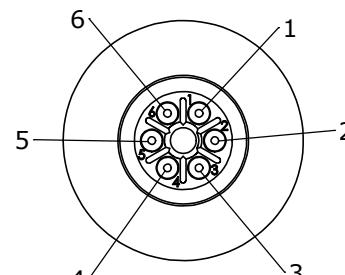
FACE VIEW
W17984-6PG-P-300
6 POSITION
B-KEY



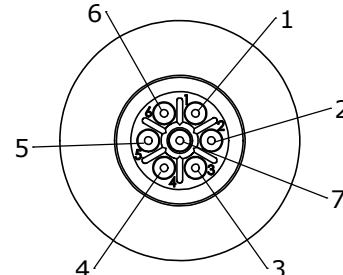
FACE VIEW
W17984-7PG-P-300
7 POSITION
A-KEY



WIRE VIEW
W17984-5PG-P-300



WIRE VIEW
W17984-6PG-P-300



WIRE VIEW
W17984-7PG-P-300

DIMENSIONS IN BRACKETS [] ARE IN MILLIMETERS UNLESS INDICATED

CUSTOMER APPROVAL

THIS DOCUMENT CONTAINS CONFIDENTIAL INFORMATION PROPRIETARY TO CONXALL CORPORATION. ANY REPRODUCTION, DISCLOSURE, OR USE OF THIS DOCUMENT /INFORMATION IS EXPRESSLY PROHIBITED UNLESS AUTHORIZED IN WRITING BY CONXALL CORPORATION.

APPROVED BY: _____
DATE: _____

RoHS COMPLIANT

B	MA	11-09-20	NUMBER OF CONNECTORS PER BOX WAS 200 PER ECR 9548
A	MA	08-10-20	RELEASED PER PDR 18004-2
	JGK	8/14/19	DRAWING CREATED FOR PDR #18004
REV.	INIT.	DATE	DESCRIPTION
	JGK	8/14/19	ORIG. DRAWN BY: DATE: 8/14/19
ALL INFORMATION ILLUSTRATED IS THE PROPERTY OF "CONXALL CORPORATION". UNAUTHORIZED DUPLICATION OR DISTRIBUTION OF THIS DOCUMENT IS PROHIBITED.			<p>601 E. WILDWOOD VILLA PARK, IL 60181</p>
ALL UNITS ARE IN FEET, INCHES, FRACTIONS OF INCHES AND DECIMALS.			
APPROVED BY:		TITLE: PANEL MOUNT ASSEMBLY (5-7) #26 PIN CONTACTS, PC TAIL INSTA-CLICK™ MICRO-CON-X STANDARD PRODUCT	
SCALE	SIZE	SHEET	CUSTOMER:
NTS	B	1 OF 1	W17984-XPG-P-300
FILE:	DIRECTORY:	PART NUMBER:	REV
W17984-XPG-P-300	SLW	W17984-XPG-P-300	B