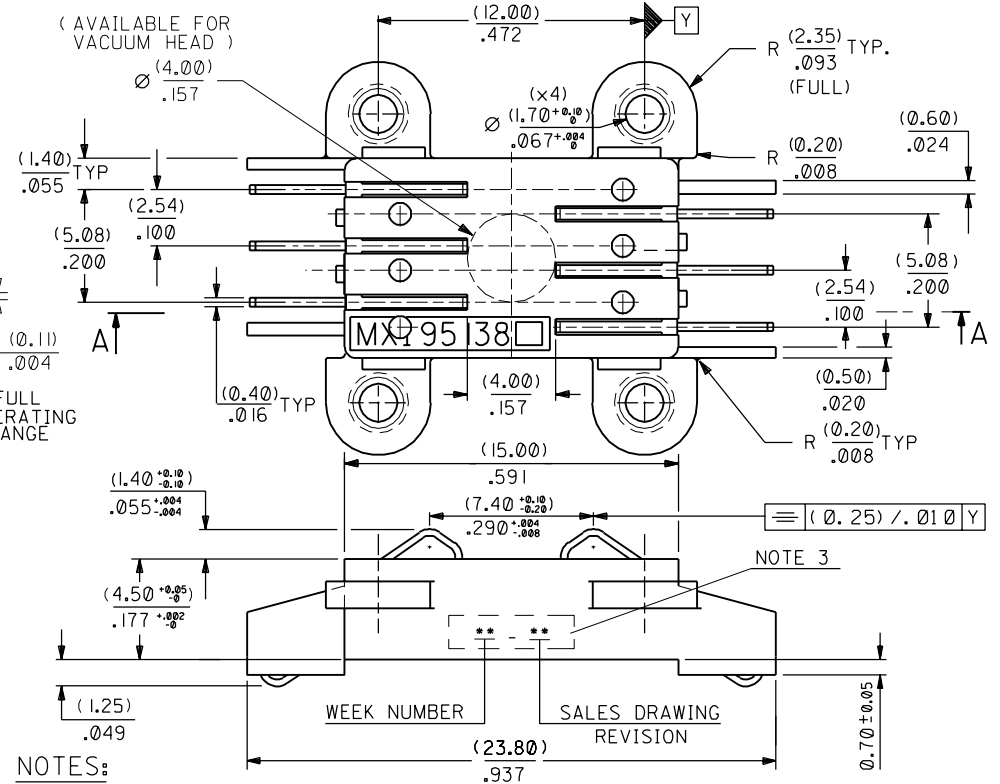
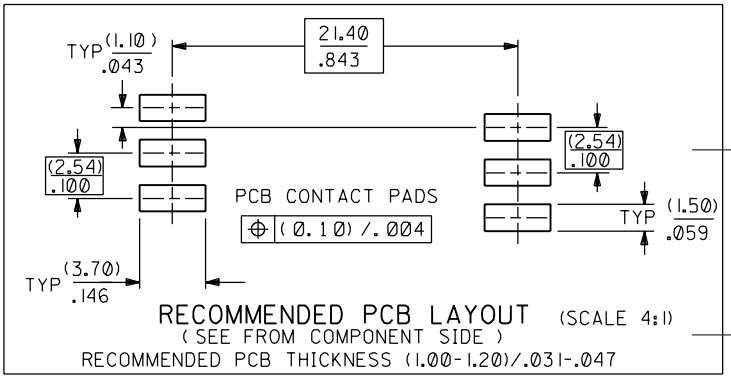
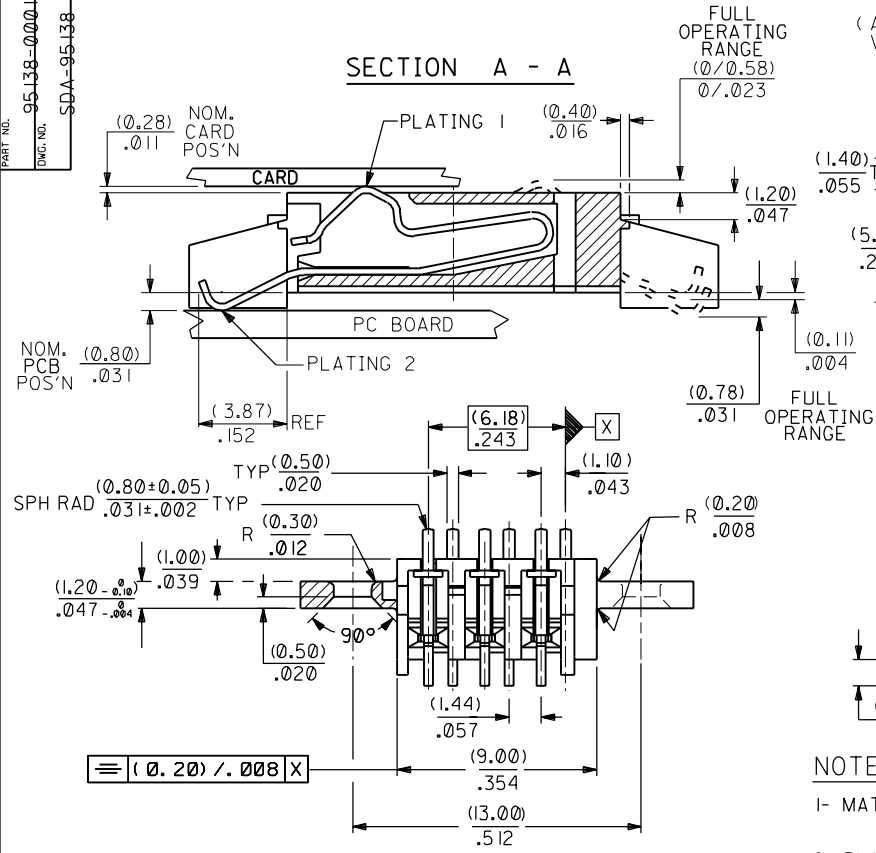


**SECTION A - A**



**NOTES:**

- 1- MATERIAL: HOUSING : GLASS FILLED PBT, RATED UL 94V-0, COLOR BLACK  
CONTACT : (0.30) / .012 REF. PHOSPHOR BRONZE.
- 2- PLATING 1 : NICKEL (1.27u) / 50u INCH MIN. UNDERCOAT OVERALL.  
GOLD FLASH (0.10u) / 4u INCH MIN. OVER PALLADIUM-NICKEL.  
(1.0u) / 4u INCH MIN. IN CONTACT AREA (CARD CONTACT AREA)
- PLATING 2 : NICKEL (1.27u) / 50u INCH MIN. UNDERCOAT OVERALL.  
GOLD (0.38u) / 15u INCH MIN. IN CONTACT AREA (PC BOARD AREA)
- 3- PRODUCT ID MARK, CHARACTERS TO BE HOT STAMPED (1.5) / .060 HIGH

FOR PREVIOUS DRAWING ISSUES SEE MRI

MOD. CONTACT HEIGHT ECN E50298 95.10.19 FM	REVISIONS	DIMENSIONS SHOWN ( METRIC ) INCH UNLESS OTHERWISE SPECIFIED TOLERANCES: ANGULAR ± 1° INCH ( METRIC ) 3 PLACE ± .004 2 PLACE ± .008 ± 0.10 1 PLACE ± 0.20 DRAFT WHERE APPLICABLE MUST REMAIN WITHIN DIMENSIONS DESIGN DIMENSION <input checked="" type="checkbox"/> (MM) (PRIMARY) <input type="checkbox"/> IN. EQUIVALENT DIMENSION <input type="checkbox"/> (MM) (SECONDARY) <input checked="" type="checkbox"/> IN.	DRWG BY CB CHK'D BY APP'D BY SCALE 5:1
--	-----------	--	---

REVISE ONLY ON CAD SYSTEM		SH. REV.
CAD/CAM FILENAME 95138X1 DDN	THIS DRAWING CONTAINS INFORMATION THAT IS PROPRIETARY TO MOLEX INC. & SHOULD NOT BE USED WITHOUT WRITTEN PERMISSION	
TITLE SIM CARD CONNECTOR		
molex MOLEX EUROPE		SHEET NO. DATE 1 OF 1 93/09/14
PART NO. 95138-0001	DWG. NO. SDA-95138	SIZE B