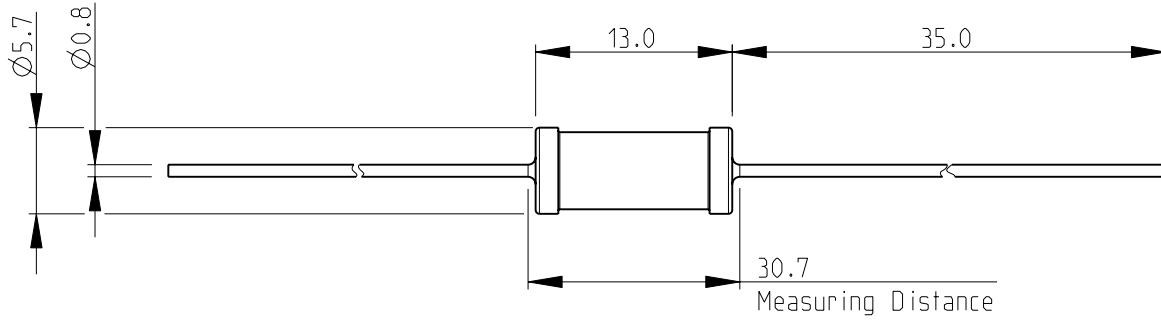
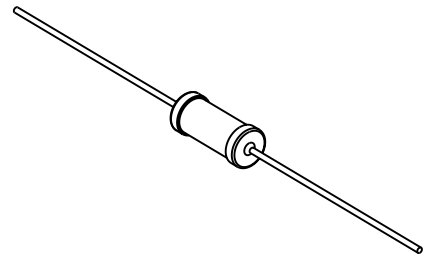


LOC	DIST	REVISIONS			
P	LTR	DESCRIPTION	DATE	DWN	APVD
E	B				
	BA	NEW RELEASE	16-Sep-08	SM	St.P

FOR FURTHER INFORMATION SEE DATA SHEET FOR  
C SERIES-HIGH POWER RESISTORS



RoHS Compliant



SCALE 1:1

2008

RELEASED FOR PUBLICATION

THIS DRAWING IS UNPUBLISHED.

BY TYCO ELECTRONICS CORPORATION. ALL RIGHTS RESERVED.

DIMENSIONS: mm	DWN	SUBHASH.M	16-Sep-08	MATERIAL	-	FINISH	-
	CHK	PRAKASH.S	16-Sep-08	Tyco Electronics Corporation Dorcan, Swindon, SN3 5HH			
TOLERANCES UNLESS OTHERWISE SPECIFIED:	APVD	STEPHEN.P	16-Sep-08				
	0 PLC	$\pm 0.2$	PRODUCT SPEC		HIGH POWER RESISTORS		
1 PLC	$\pm 0.1$	-		SERIES C3A			
2 PLC	$\pm$	APPLICATION SPEC		SIZE	CAGE CODE	DRAWING NO	RESTRICTED TO
3 PLC	$\pm$	-		A 4	00779	C-1623771	-
4 PLC	$\pm$	WEIGHT		CUSTOMER DRAWING			
ANGLES	$\pm 5^\circ$	-		SCALE	2:1	SHEET 1 OF 1	REV BA