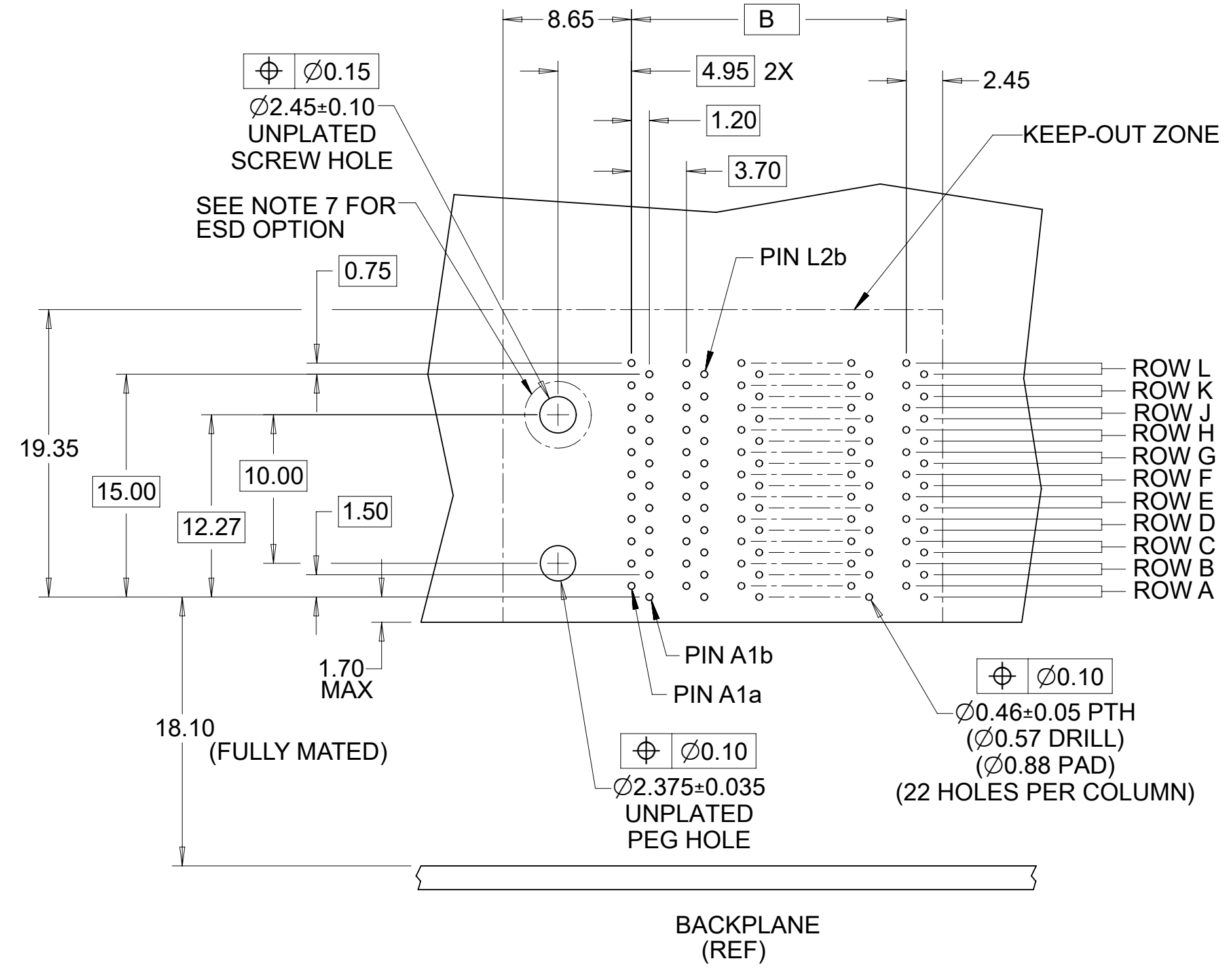
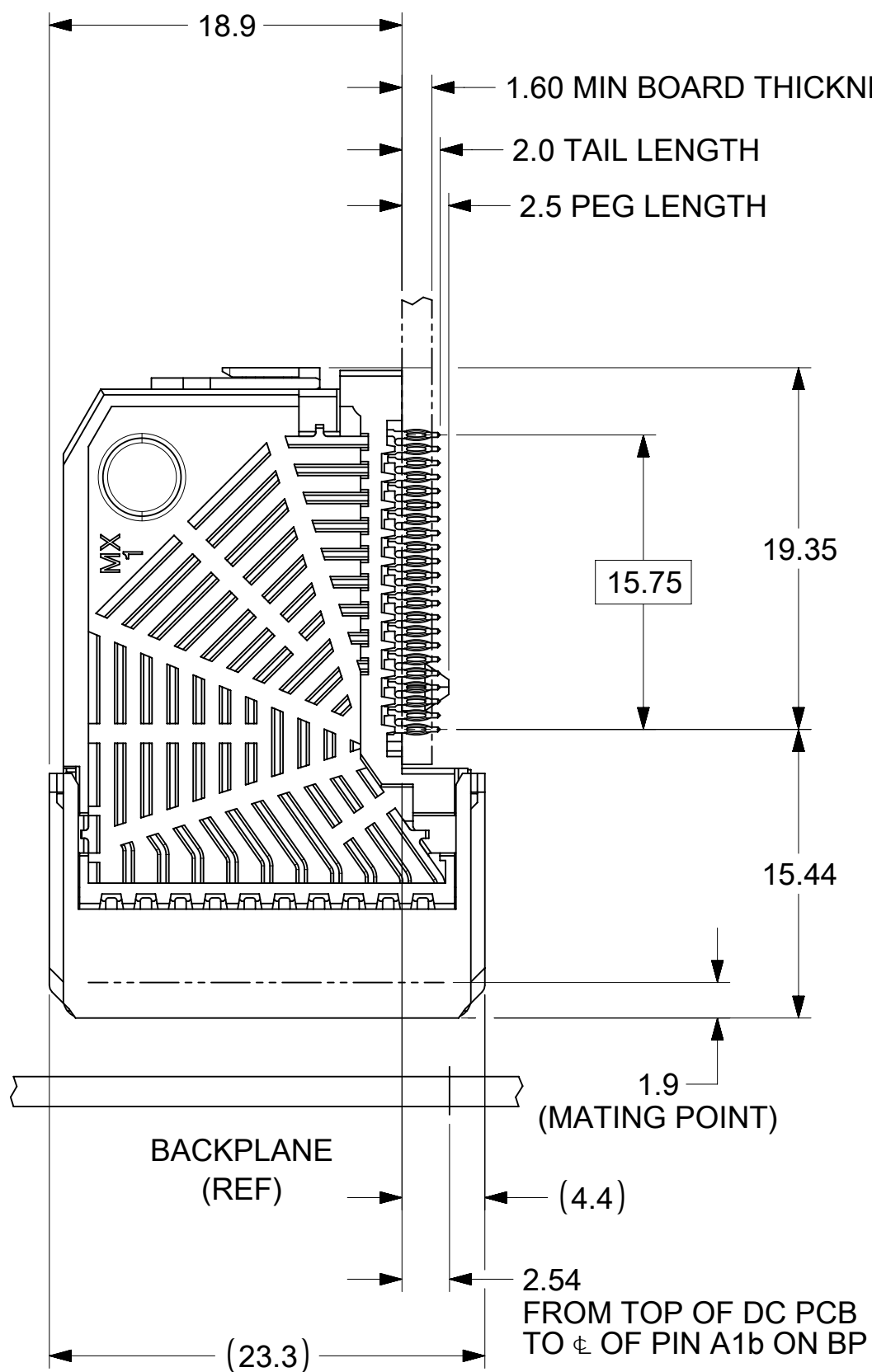


KEY SHOWN IN POSITION "A"



DAUGHTERCARD HOLE PATTERN (CONNECTOR SIDE)

- NOTES:
1. MATERIALS: HOUSING - LIQUID CRYSTAL POLYMER (LCP) GLASS-FILLED, UL94V-0  
TERMINALS - HIGH PERFORMANCE COPPER ALLOY
  2. FINISH: SELECTIVE GOLD IN CONTACT AREA.  
SELECTIVE MATTE TIN ON PCB TAILS. NICKEL OVERALL.
  3. REFER TO MOLEX PRODUCT SPECIFICATION PS-75710-999 FOR PERFORMANCE SPECS.
  4. PRODUCT IS PACKAGED PER PK-70873-609.
  5. THIS PART CONFORMS TO CLASS B REQUIREMENTS OF COSMETIC SPEC PS-45499-002.
  6. GUIDED PARTS TO BE SHIPPED WITH 2-32 TYPE AB  
SELF-TAPPING SCREW P/N 73726-0000.
  7. FOR GROUNDED GUIDE MODULES USE DIA 2.45+/-0.10 (PTH), DIA 2.58 (DRILL),  
AND DIA 4.50 (PAD).
  8. MAPS (MOLEX ADVANCED PLATING SYSTEM).

THIS DRAWING CONTAINS INFORMATION THAT IS PROPRIETARY TO MOLEX ELECTRONIC TECHNOLOGIES, LLC AND SHOULD NOT BE USED WITHOUT WRITTEN PERMISSION									
DIMENSION UNITS	SCALE	CURRENT REV DESC: REMASTERED TO NX							
mm	NTS								
GENERAL TOLERANCES (UNLESS SPECIFIED)									
ANGULAR TOL	± 0.5°	<b>I-TRAC DAUGHTERCARD</b> 11 ROW SIGNAL MODULE GUIDE LEFT SALES DWG							
4 PLACES	±	EC NO: 671119 DRWN: YOGEEB 2021/06/24 CHK'D: MMALLIGEVALU 2022/01/28 APPR: CWANG25 2022/02/18							
3 PLACES	±	<b>PRODUCT CUSTOMER DRAWING</b>							
2 PLACES	± 0.13	INITIAL REVISION: DRWN: MCARRANZA 2006/06/19 APPR: JLAURX 2006/06/21							
1 PLACE	± 0.25	DOCUMENT NUMBER		SD-75710-002	DOC TYPE	PSD	DOC PART	001	REVISION
0 PLACES	±	MATERIAL NUMBER		SEE TABLE	CUSTOMER		GENERAL MARKET	SHEET NUMBER	
DRAFT WHERE APPLICABLE MUST REMAIN WITHIN DIMENSIONS		THIRD ANGLE PROJECTION	DRAWING	C-SIZE	SERIES	75710	1 OF 2		

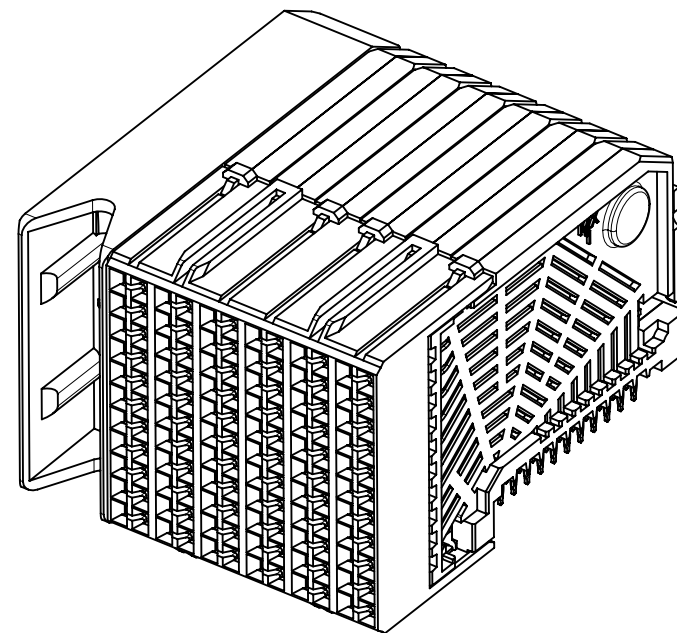
MATERIAL NUMBER	# OF COLUMNS	DIM "A" MAX	DIM "B"
75710-***5	5	25.90	14.80
75710-***6	6	29.60	18.50
75710-***8	8	37.00	25.90
75710-***0	10	44.40	33.30

75710- \* \* \* \*

MODULE TYPE -- TAIL PLATING TYPE  
 GUIDE LEFT -- MATTE TIN (FORMERLY TIN/LEAD)= 2  
 GUIDE LEFT -- MATTE TIN = 3

POLARIZATION KEY ORIENTATION  
 0 = NO KEY  
 1 = A    5 = E  
 2 = B    6 = F  
 3 = C    7 = G  
 4 = D    8 = H

# OF COLUMNS/PLATING  
 05 = 5 COL 30 GOLD  
 06 = 6 COL 30 GOLD  
 08 = 8 COL 30 GOLD  
 10 = 10 COL 30 GOLD  
 55 = 5 COL W/ESD 30 GOLD  
 56 = 6 COL W/ESD 30 GOLD  
 58 = 8 COL W/ESD 30 GOLD  
 50 = 10 COL W/ESD 30 GOLD  
 25 = 5 COL 10 GOLD (MAPS)  
 26 = 6 COL 10 GOLD (MAPS)  
 28 = 8 COL 10 GOLD (MAPS)  
 20 = 10 COL 10 GOLD (MAPS)  
 65 = 5 COL W/ESD 10 GOLD (MAPS)  
 66 = 6 COL W/ESD 10 GOLD (MAPS)  
 68 = 8 COL W/ESD 10 GOLD (MAPS)  
 60 = 10 COL W/ESD 10 GOLD (MAPS)



THIS DRAWING CONTAINS INFORMATION THAT IS PROPRIETARY TO MOLEX ELECTRONIC TECHNOLOGIES, LLC AND SHOULD NOT BE USED WITHOUT WRITTEN PERMISSION												
DIMENSION UNITS		SCALE		CURRENT REV DESC: REMASTERED TO NX				<b>molex</b>				
mm		NTS										
GENERAL TOLERANCES (UNLESS SPECIFIED)				EC NO: 671119 DRWN: YOGEEB 2021/06/24 CHK'D: MMALLIGEVALU 2022/01/28 APPR: CWANG25 2022/02/18				I-TRAC DAUGHTERCARD 11 ROW SIGNAL MODULE GUIDE LEFT SALES DWG				
ANGULAR TOL		± 0.5°						PRODUCT CUSTOMER DRAWING				
4 PLACES		±		INITIAL REVISION: DRWN: MCARRANZA 2006/06/19 APPR: JLAURX 2006/06/21				DOCUMENT NUMBER		DOC TYPE	DOC PART	REVISION
3 PLACES		±						SD-75710-002		PSD	001	D1
2 PLACES		± 0.13		DRAFT WHERE APPLICABLE MUST REMAIN WITHIN DIMENSIONS				MATERIAL NUMBER		CUSTOMER		SHEET NUMBER
1 PLACE		± 0.25						SEE TABLE		GENERAL MARKET		2 OF 2
0 PLACES		±		THIRD ANGLE PROJECTION	DRAWING	SERIES	MATERIAL NUMBER	CUSTOMER		SHEET NUMBER		
DOCUMENT STATUS	P1	RELEASE DATE	2022/02/18	05:03:56	C-SIZE	75710	SEE TABLE	GENERAL MARKET		2 OF 2		