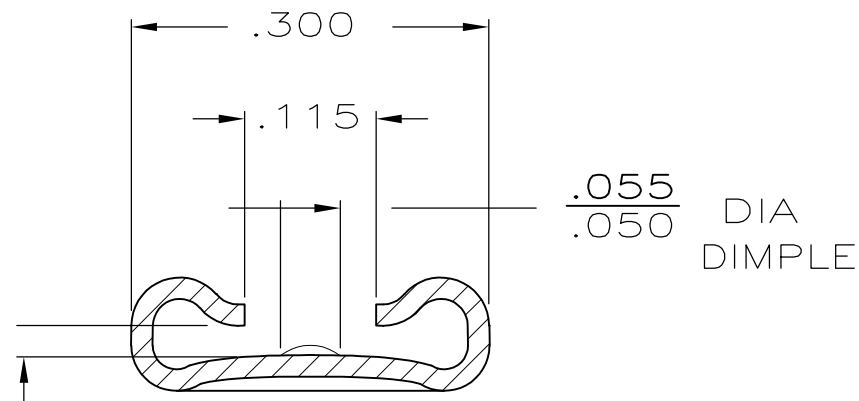
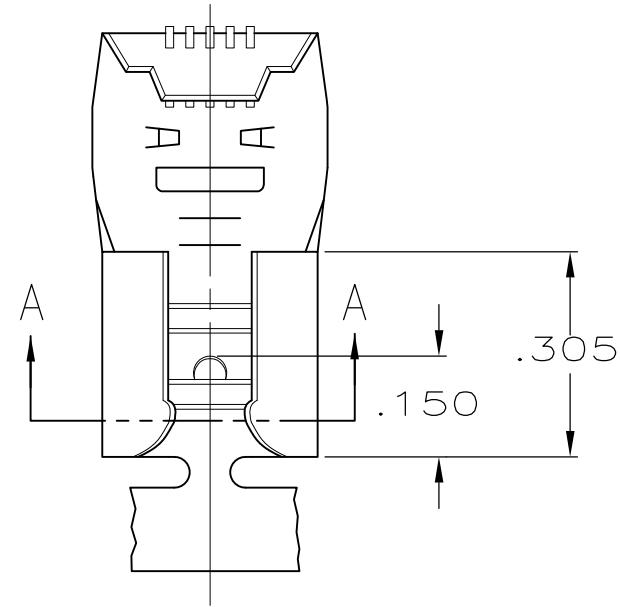


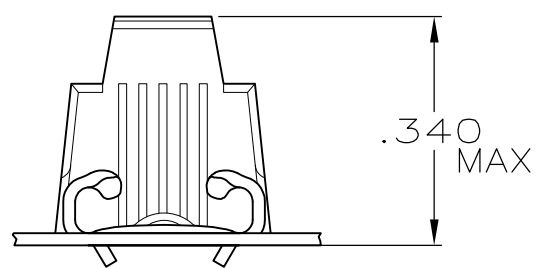
THIS DRAWING IS UNPUBLISHED. RELEASED FOR PUBLICATION, 19
 © COPYRIGHT 1972 BY AMP INCORPORATED, HARRISBURG, PA. ALL INTERNATIONAL RIGHTS RESERVED. AMP PRODUCTS MAY BE COVERED BY U.S. AND FOREIGN PATENTS AND/OR PATENTS PENDING.

LOC	DIST	REVISIONS						
AF	50	P	F	ZONE	LTR	DESCRIPTION	DATE	APPROVED
					F	REVISE PER ECR-13-013738	5/02/14	GRZ/JL



— FITS .250 SERIES FASTON TAB
 SECTION A-A

1- CONTINUOUS STRIP ON REELS.



18-12 OR (2) #16	.032 ±.001	PRE-TIN	BRASS	62091-2
18-12 OR (2) #16	.032 ±.001	---	BRASS	62091-1
WIRE SIZE	TAB THK	FINISH	MATERIAL	PART NO

UNLESS OTHERWISE SPECIFIED DIMENSIONS ARE IN INCHES TOLERANCES ON: 2 PL DEC ± _____ 3 PL DEC ± .015 ANGLES ± _____	DR <i>JR Ruth</i> 2-3-86	AMP AMP INCORPORATED Harrisburg, Pa. 17105		
	CHK			
	MATERIAL	APPD	NAME .250 SERIES FLAG FASTON RECEPTACLE	
	SEE TABLE	PRODUCT SPEC	SIZE B	FSCM NO 00779
FINISH	APPLICATION SPEC	SCALE NTS	SHEET 1 OF 1	
SEE TABLE	WEIGHT			