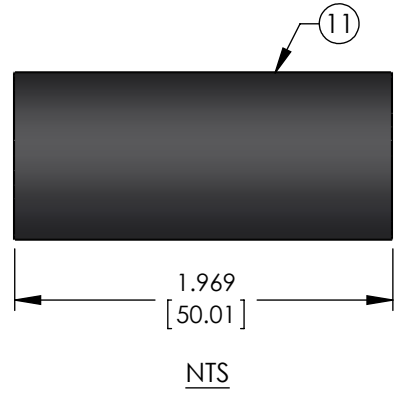
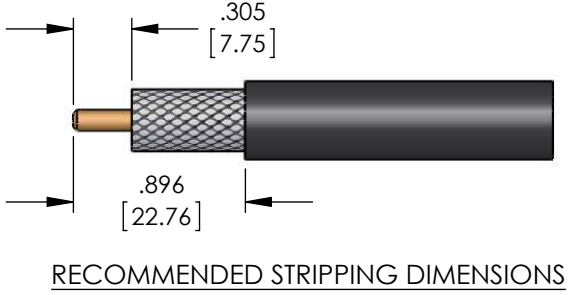
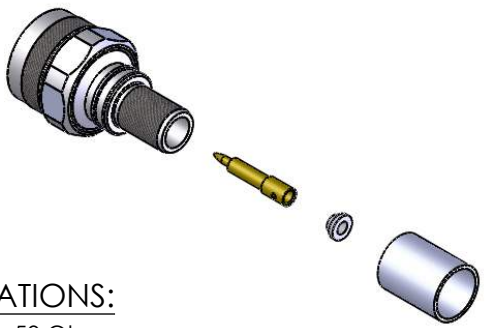
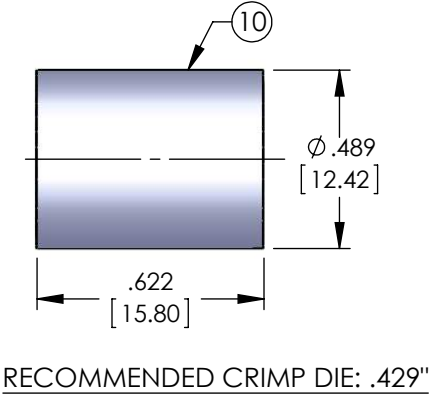
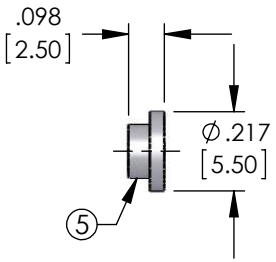
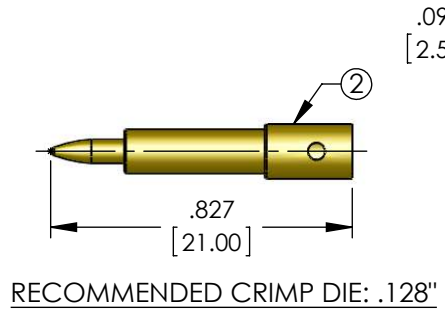
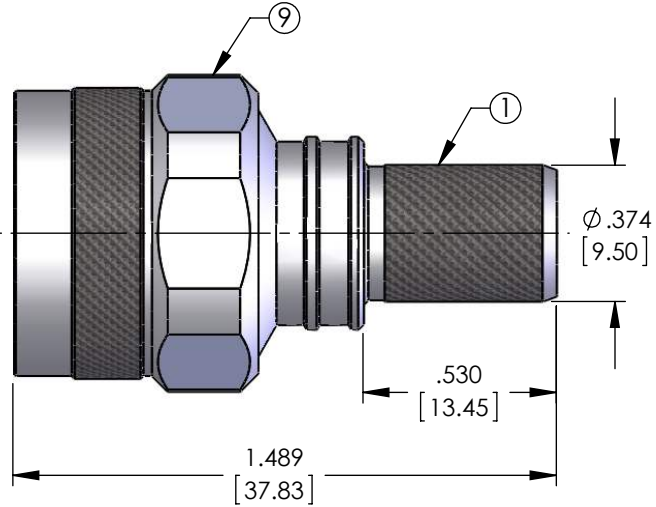


RFN-1006-4I

REV	DESCRIPTION	DATE	APPR
-	ENGINEERING RELEASE	4/17/13	JDM
A	UPDATED PERFORMANCE DATA	07/17/13	JDN



SPECIFICATIONS:

IMPEDANCE: 50 Ohms
 FREQUENCY RANGE: 0-11 GHz
 VSWR: <1.10:1 UP TO 3 GHz
 VSWR: <1.15:1 @ 3 GHz THROUGH 8 GHz
 WORKING VOLTAGE: 1K V rms Max. @ Sea Level
 INSULATION RESISTANCE: 5k M Ohms min.
 TEMPERATURE RANGE: -65°C TO 165°C
 INSERTION LOSS(dB): 0.06 dB MAX. x f(GHz)
 FOR BELDEN 8214, 9913, 9913F, 9914, LMR-400

RECOMMENDED STRIPPING DIMENSIONS

NTS

NTS

ROHS COMPLIANT	NAME	DATE	RF INDUSTRIES 7610 MIRAMAR RD. SAN DIEGO, CA. 92126 858-549-6340 FAX 858-549-6345		
	DRAWN	C. ZUNIGA 07/17/13			
	CHECKED				
UNLESS OTHERWISE SPECIFIED:	ENG APPR.		TITLE: N PLUG CRIMP		
DIMENSIONS ARE IN INCHES	PROPRIETARY AND CONFIDENTIAL				
ALL DIMENSIOS ARE FOR REFERENCE ONLY	THE INFORMATION CONTAINED IN THIS DRAWING IS THE SOLE PROPERTY OF RF INDUSTRIES. ANY REPRODUCTION IN PART OR AS A WHOLE WITHOUT THE WRITTEN PERMISSION OF RF INDUSTRIES IS STRICTLY PROHIBITED.		SIZE	DWG. NO.	REV
CABLE GROUP	I		A	RFN-1006-4I	A
CODE	01560		SCALE: NTS	NOTES:	SHEET 1 OF 1

NO	DESCRIPTION	QTY	MATERIAL	FINISH
11	TUBING	1	POLYOLEFIN	BLACK
10	FERRULE	1	BRASS	WHITE BRONZE
9	SHELL	1	BRASS	WHITE BRONZE
8	GASKET	1	SI RUBBER	ORANGE
7	RETAINING RING	1	BRASS	WHITE BRONZE
6	GROUNDING RING	1	BRASS	WHITE BRONZE
5	INSULATOR	1	PTFE	NONE
4	INSULATOR	1	PTFE	NONE
3	INSULATOR	1	PTFE	NONE
2	PIN	1	BRASS	GOLD
1	BODY	1	BRASS	WHITE BRONZE