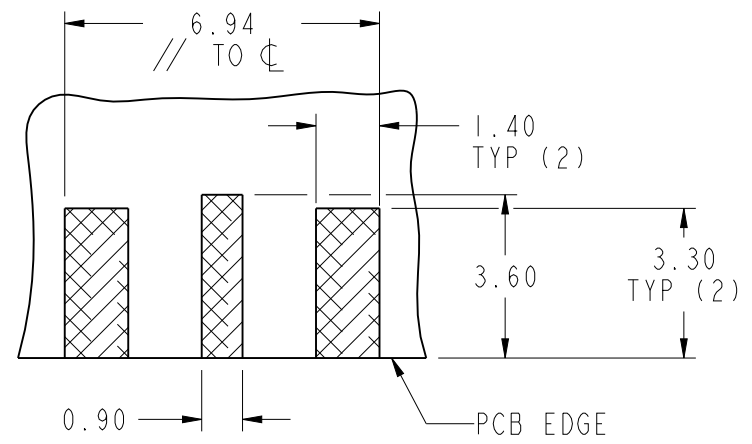


NOTES:

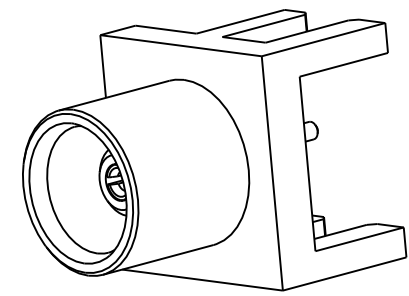
1. MATERIALS AND FINISHES
 BODY - BRASS, GOLD PLATING
 CONTACT - BERYLLIUM COPPER, GOLD PLATING
 INSULATOR - PTFE
2. ELECTRICAL:
 A. IMPEDANCE: 50 OHM
 B. FREQUENCY RANGE: DC-2.6 GHz
3. MECHANICAL:
 A. DURABILITY: 500 CYCLES MIN.
 B. TEMPERATURE RANGE: -65°C TO +165°C
4. PACKAGING:
 A. QUANTITY: SINGLE PACK
 B. MARKING: BAG TO BE MARKED
 "AMPHENOLRF, 919-246J-51S AND DATE CODE"

THIRD ANGLE PROJ.

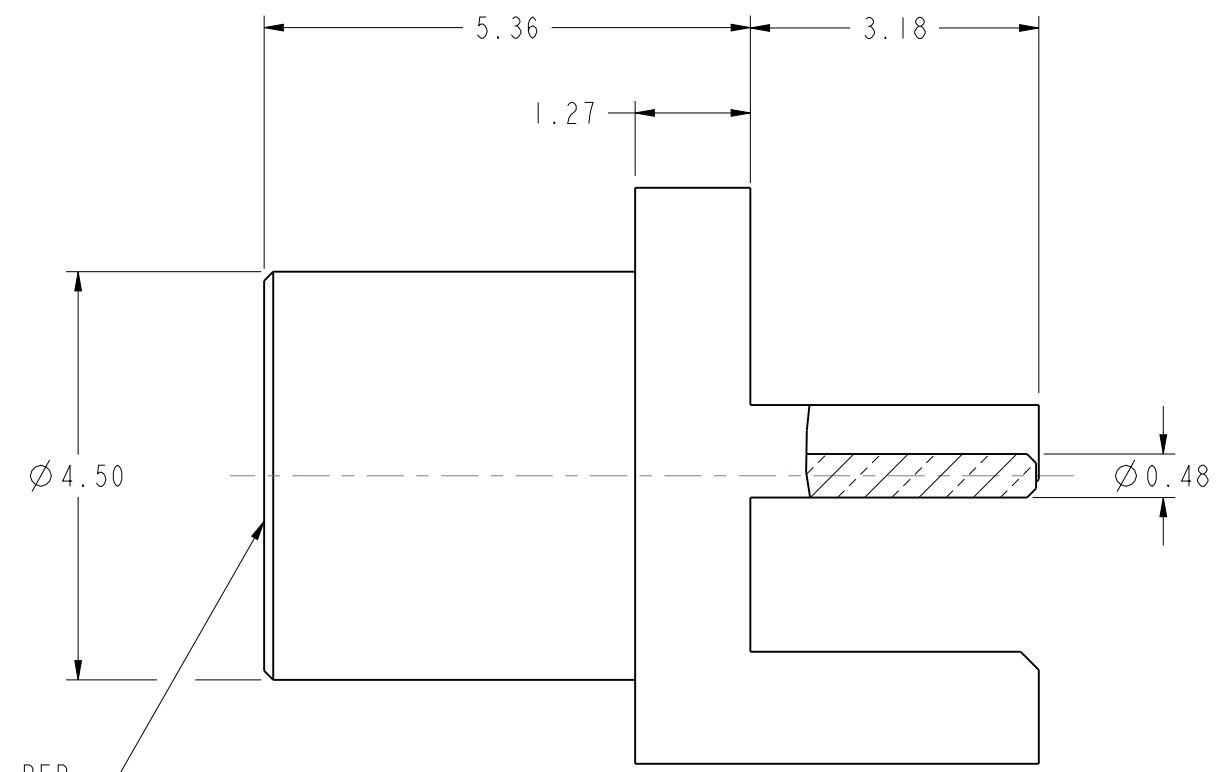
REVISIONS				
REV	DESCRIPTION	DATE	ECO	APPR
A	RELEASE TO MFG.	1/28/11	48436	CL



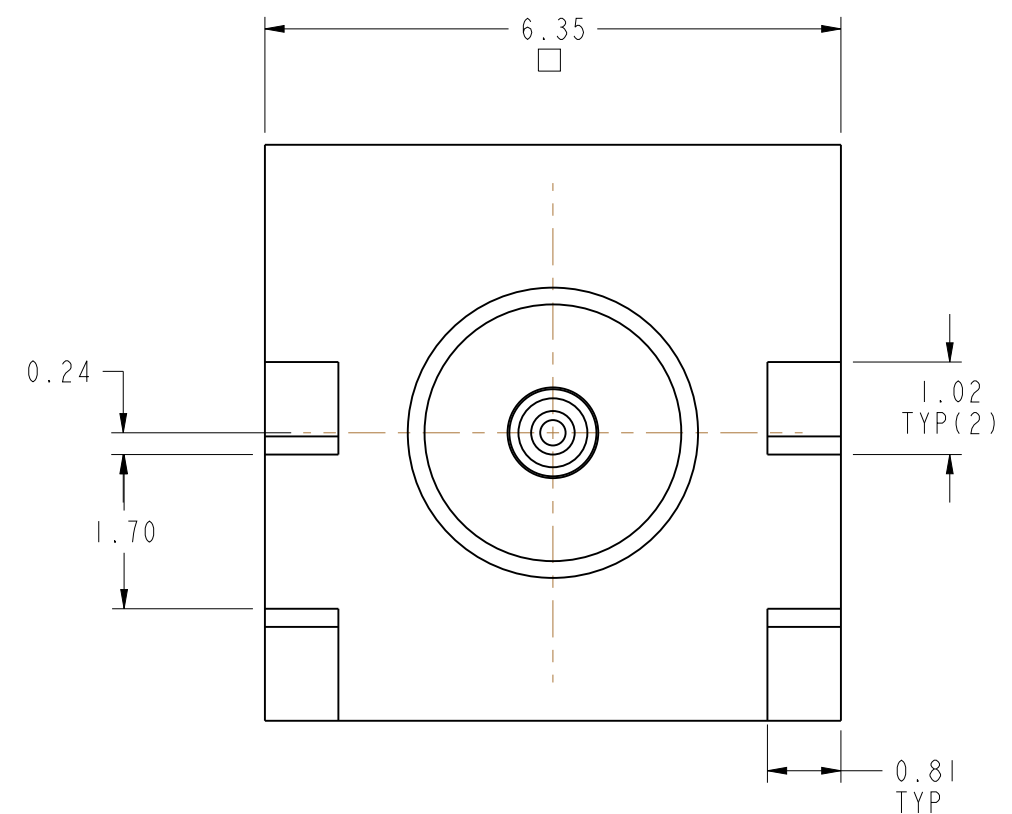
SCALE 6.000
RECOMMENDED PCB
DIMENSIONS



SCALE 5.000



INTERFACE PER
 CECC 22000
 SERIES: MCX, JACK 50 OHM



CUSTOMER OUTLINE DRAWING
 ALL OTHER SHEETS ARE FOR INTERNAL USE ONLY

UNLESS OTHERWISE SPECIFIED, DIMENSIONS ARE IN METRIC AND TOLERANCES ARE: <0.5mm ±0.05mm 0.5 - 6mm ±0.1mm 6 - 30mm ±0.2mm 30 - 120mm ±0.3mm ANGLES ±1° NOTICE - These drawings, specifications, or other data (1) are, and remain the property of Amphenol corp. (2) must be returned upon request; and (3) are confidential and not to be disclosed to any person other than those to whom they are given by Amphenol Corp. the finishing of these drawings, specifications, or other data by Amphenol Corp., or to any other person to anyone for any purpose is not to be regarded by implication or otherwise in any manner licensing, granting rights to permitting such holder or any other sperson to manufacture, use or sell any product, process or design, patented or otherwise, that may in any way be related to or disclosed by said drawings, specifications, or other data.	MATERIAL SEE NOTES	DRAWN KARTHIK R	DATE 22-Nov-10	TITLE ASSEMBLY MCX, JACK EDGE MOUNT	Amphenol RF www.amphenolrf.com
	REFERENCE EAR # 4445	ENGINEER KARTHIK R	DATE 22-Nov-10		
	CONFIGURATION LEVEL: In work	APPROVED K. CAPOZZI	DATE 1/28/11	SCALE: 12.0:1.0 SHEET 2 OF 2	ITEM NO. MCX625100-013-3GT30G-50
	FINISH	CAD FILE		DWG SIZE B REV A	PART NO. 919-246J-51S