

4

3

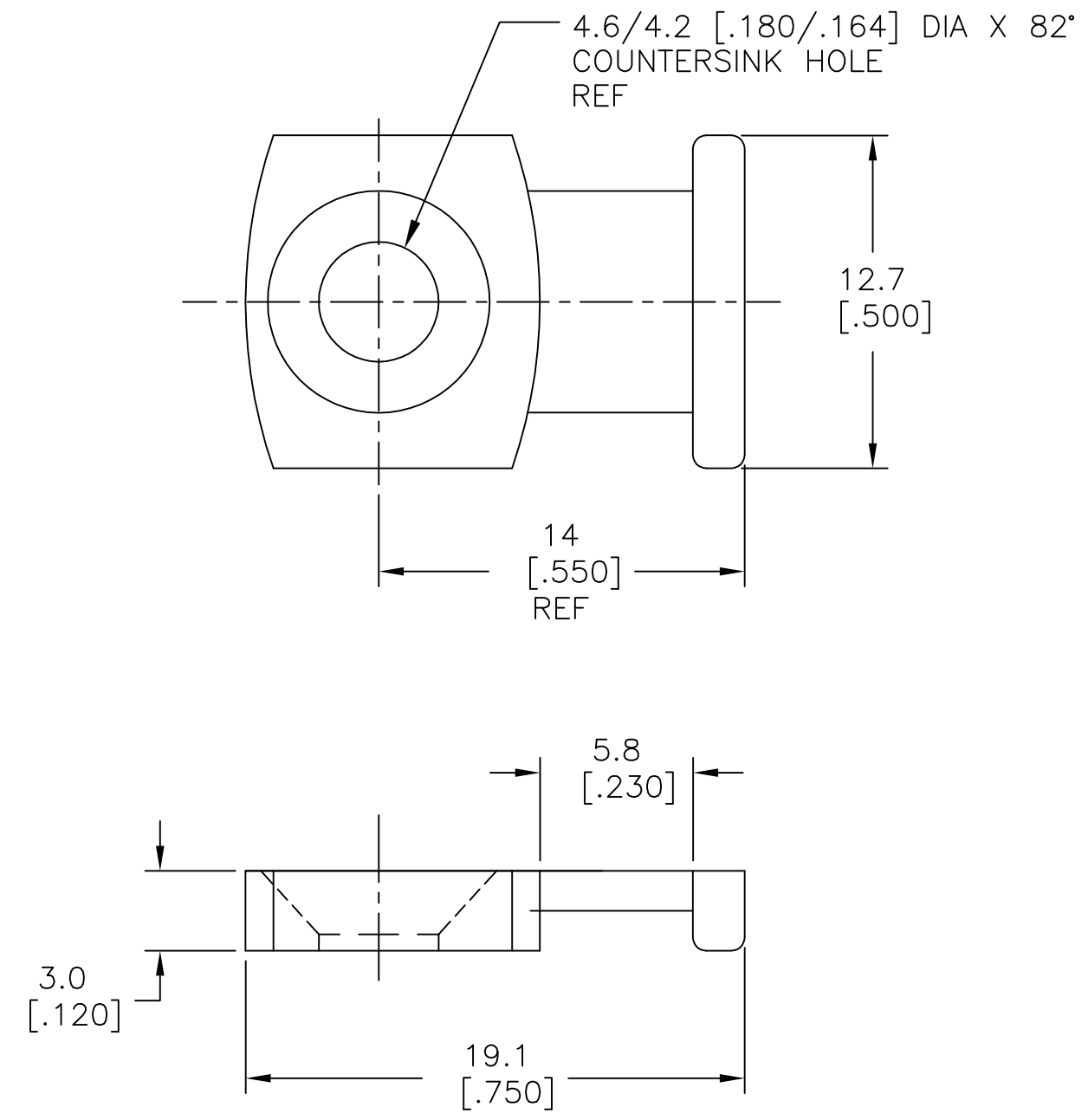
2

1

THIS DRAWING IS UNPUBLISHED. RELEASED FOR PUBLICATION - , - .

© COPYRIGHT - TE Connectivity ALL RIGHTS RESERVED.

REVISIONS					
P	LTR	DESCRIPTION	DATE	DWN	APVD
	F	REV PER ECR 10-015407	28JUL10	JR	TM
	F1	REVISED PER ECO-17-009170	07OCT2017	RS	DR



1 NOT WEATHER RESISTANT

100	LOOSE PIECE	1-350087-0
QTY PER PACK	PACKAGE TYPE	PART NO.

THIS DRAWING IS A CONTROLLED DOCUMENT.		DWN jr_ruth 23FEB09	TE Connectivity		
DIMENSIONS: mm [INCHES]		CHK TOM MICHELUTTI 23FEB09			
TOLERANCES UNLESS OTHERWISE SPECIFIED:		APVD TOM MICHELUTTI 23FEB09	NAME BASE, PRE-MOUNTABLE, CABLE TIE		
		PRODUCT SPEC -	APPLICATION SPEC -		
MATERIAL 6,6 NYLON		FINISH COLOR - BLACK	SIZE A3	CAGE CODE 00779	DRAWING NO C-350087
CUSTOMER DRAWING			RESTRICTED TO -	SCALE 4:1	SHEET 1 OF 1
			REV F1		