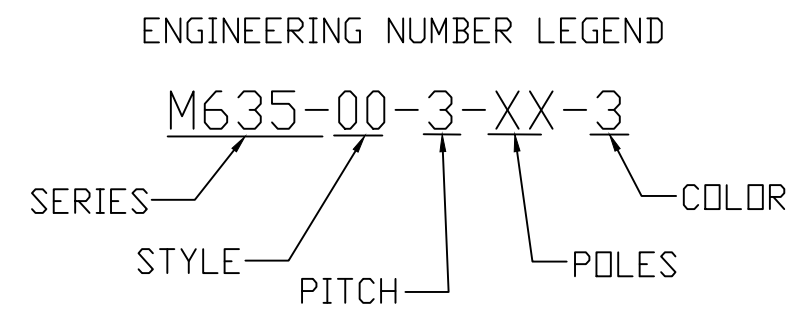
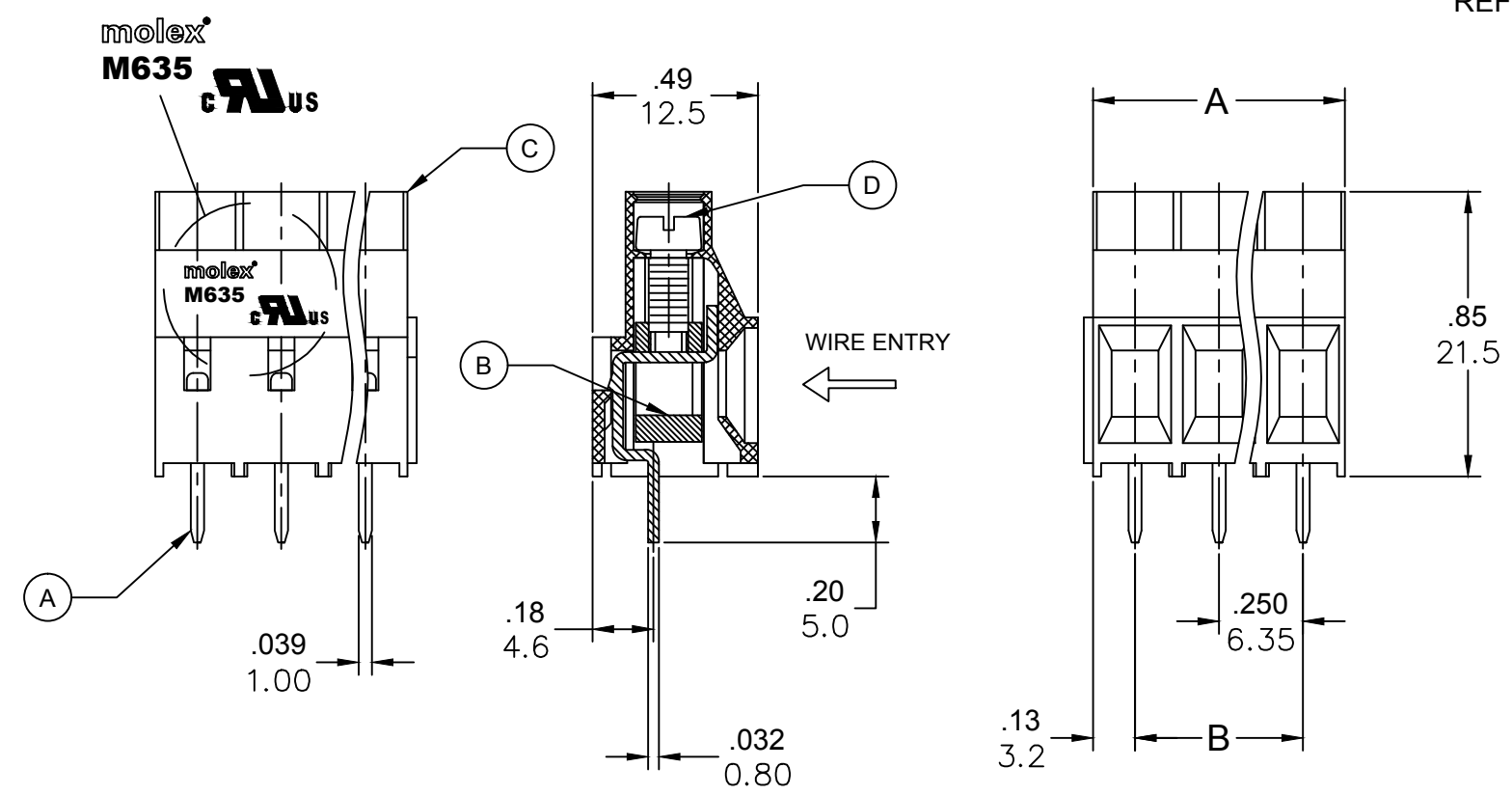
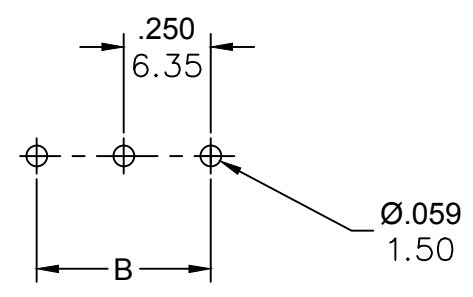


PART NUMBER DATA							
CIRCUITS	PART NUMBER	ENGINEERING NUMBER	COLOR	A IN mm		B IN mm	
2	397410002	M635-00-3-02-3	GREEN	.50	12.7	.250	6.35
3	397410003	M635-00-3-03-3	GREEN	.75	19.1	.500	12.70

REF. LAST 2 DIGITS OF PART NUMBER EQUAL CIRCUIT COUNT



CONTACT FACTORY FOR OPTIONAL COLORS



SPECIFICATIONS:

- MATERIAL:
 - TERMINAL: BRASS TIN PLATED
 - CAGE: BRASS NI PLATED
 - BODY: PA66 UL94 V-0
 - SCREW: M3, STEEL ZINC PLATED
- RATING: 300V, 30A
- MAX TORQUE: 5.0 LBF. IN.
- WIRE RANGE: 30-10 AWG
- WIRE STRIP: .28 IN, (7.0mm)
- DIELECTRIC VOLTAGE WITHSTAND: AC 2500V FOR 1 MINUTE.
- INSULATION RESISTANCE: DC 500V, 500MΩ
- RATED IMPULSE VOLTAGE: 4000V, PLUS AND MINUS 5 TIMES EACH
- OPERATING TEMPERATURE: -40°C TO +105°C
- MAX SOLDERING TEMP: 260°C (500°F) FOR 5 SECONDS
- DIMS. SHOWN ARE FOR REFERENCE ONLY

TOLERANCES			
MM	TOL	INCH	TOL
0-6	±0.25	0-.24	±.010
>6-30	±0.40	.24-1.18	±.016
>30-120	±0.50	1.18-4.76	±.020
>120	±0.80	>4.76	±.031

REVISED DOC TOL EC NO: IPG2017-0881 DRWN: ABENJAMI CHKD: --- APPR: BRUPERT 2014/10/16	QUALITY SYMBOLS ▽=0 ∇=0	GENERAL TOLERANCES (UNLESS SPECIFIED)		DIMENSION STYLE		SCALE	DESIGN UNITS	THIRD ANGLE PROJECTION		
		mm	INCH	IN/MM		---	METRIC	⊙		
		4 PLACES	±---	±---	DRAWN BY	DATE	TITLE			
		3 PLACES	±---	±---	RSTONE	2014/05/15	EURO TERMINAL BLOCK 6.35MM MODULAR, VERTICAL			
2 PLACES	±---	±---	CHECKED BY		DATE	---				
1 PLACE	±---	±---	G FARNSW		---	---				
ANGULAR ±---°		DRAFT WHERE APPLICABLE MUST REMAIN WITHIN DIMENSIONS		APPROVED BY		DATE	MOLEX INCORPORATED			
				JFMURPHY		2014/10/16	DOCUMENT NO.		SHEET NO.	
A1		B		SEE CHART		SD-39741-001		1 OF 1		
THIS DRAWING CONTAINS INFORMATION THAT IS PROPRIETARY TO MOLEX INCORPORATED AND SHOULD NOT BE USED WITHOUT WRITTEN PERMISSION										