

THIS DRAWING IS UNPUBLISHED.

RELEASED FOR PUBLICATION

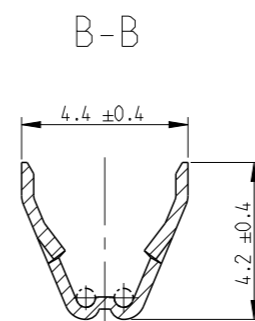
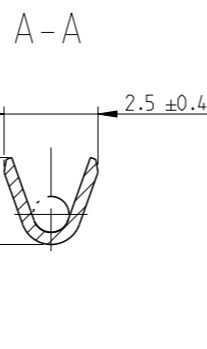
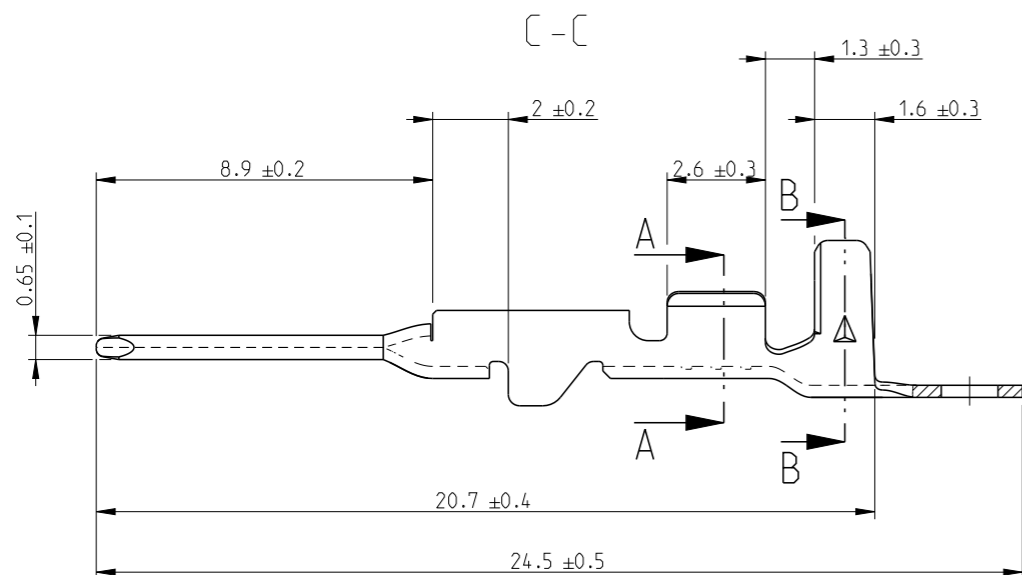
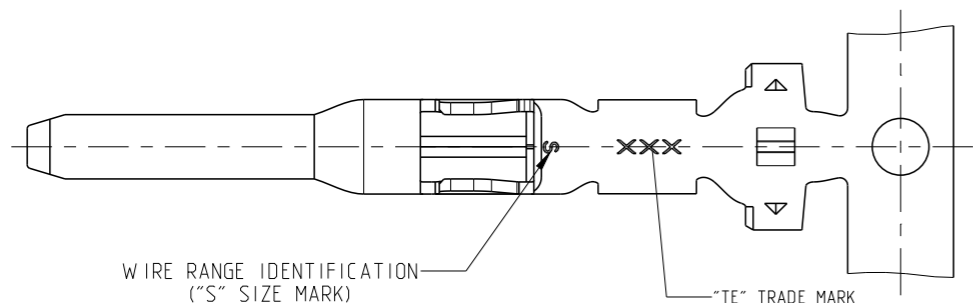
20

© COPYRIGHT 20 BY -

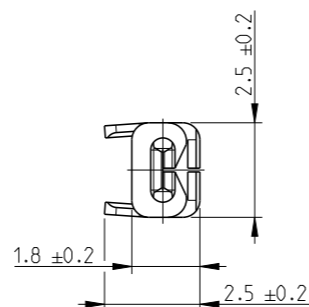
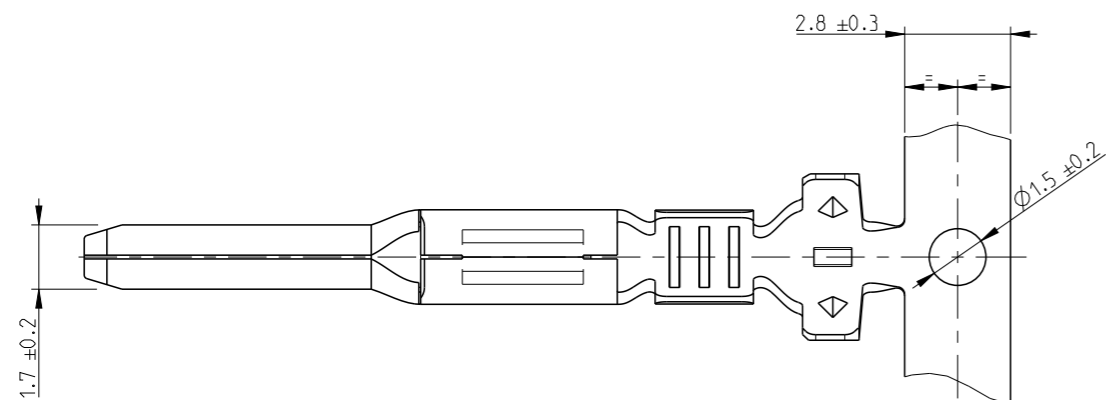
ALL RIGHTS RESERVED.

REVISIONS

P	LTR	DESCRIPTION	DATE	DWN	APVD
	A	IN PRODUCTION		R.M	
	A1	REVISED FOR ET00-0402-97	15-10-1997	M.P	
	A2	REDRAWN TO CREO	13APR2017	VH	JP



1. DELIVERY STATE: ITEM IS SUPPLIED REELED ON CARTON REEL WITH STRIP PITCH = 11.9±0.2mm
 STATO DI FORNITURA: AVVOLTI SU BOBINA CON PASSO TRA TERMINALI DI = 11.9±0.2mm



CUSTOMER DRAWING FOR INFORMATION ONLY
 DISEGNO PER CLIENTE SOLO PER RIFERIMENTO

PRE-TIN (PRE-STAGNATO)	BRASS (OTTONE)	282377-1
FINISH/COLOR (FINITURE/COLORE)	MATERIAL (MATERIALE)	PART NUMBER

THIS DRAWING IS A CONTROLLED DOCUMENT.

DWN R. MARTINI 22SEP1992

CHK C. TARTARI 24SEP1992

APVD -

PRODUCT SPEC

108-20159

APPLICATION SPEC

114-20057

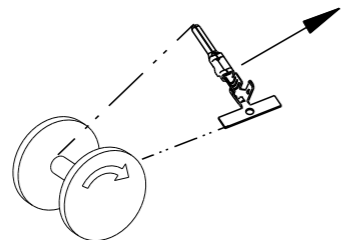
WEIGHT -

CUSTOMER DRAWING



NAME			
.070 SERIES MULTILOCK TAB CONTACT			
SIZE	CAGE CODE	DRAWING NO	RESTRICTED TO
A3	-	©=282377	-
SCALE		SHEET	REV
5:1		1 OF 1	A2

DIRECTION OFF TOP OF REEL
 SENSO DI USCITA DALLA BOBINA



INS. DIA. RANGE (DIAM. ISOLANTE)	WIRE RANGE (RANGO FILO)
Ø1.4 - 1.9mm	0.3 - 0.5mm ²

DIMENSIONS:	TOLERANCES UNLESS OTHERWISE SPECIFIED:
mm	
	0 PLC ±
	1 PLC ±
	2 PLC ±
	3 PLC ±
	4 PLC ±
	ANGLES ±2°
MATERIAL	FINISH
-	-