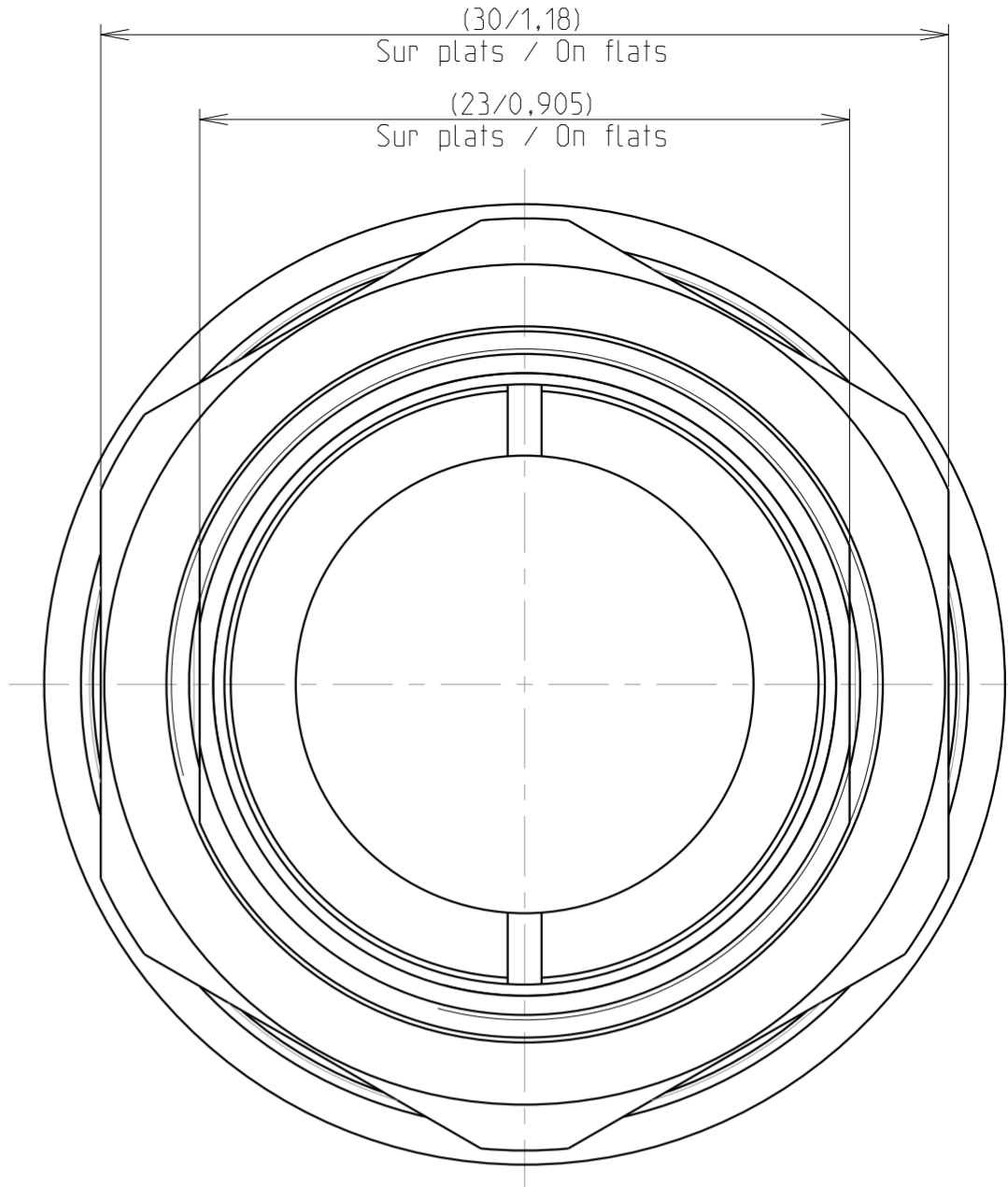
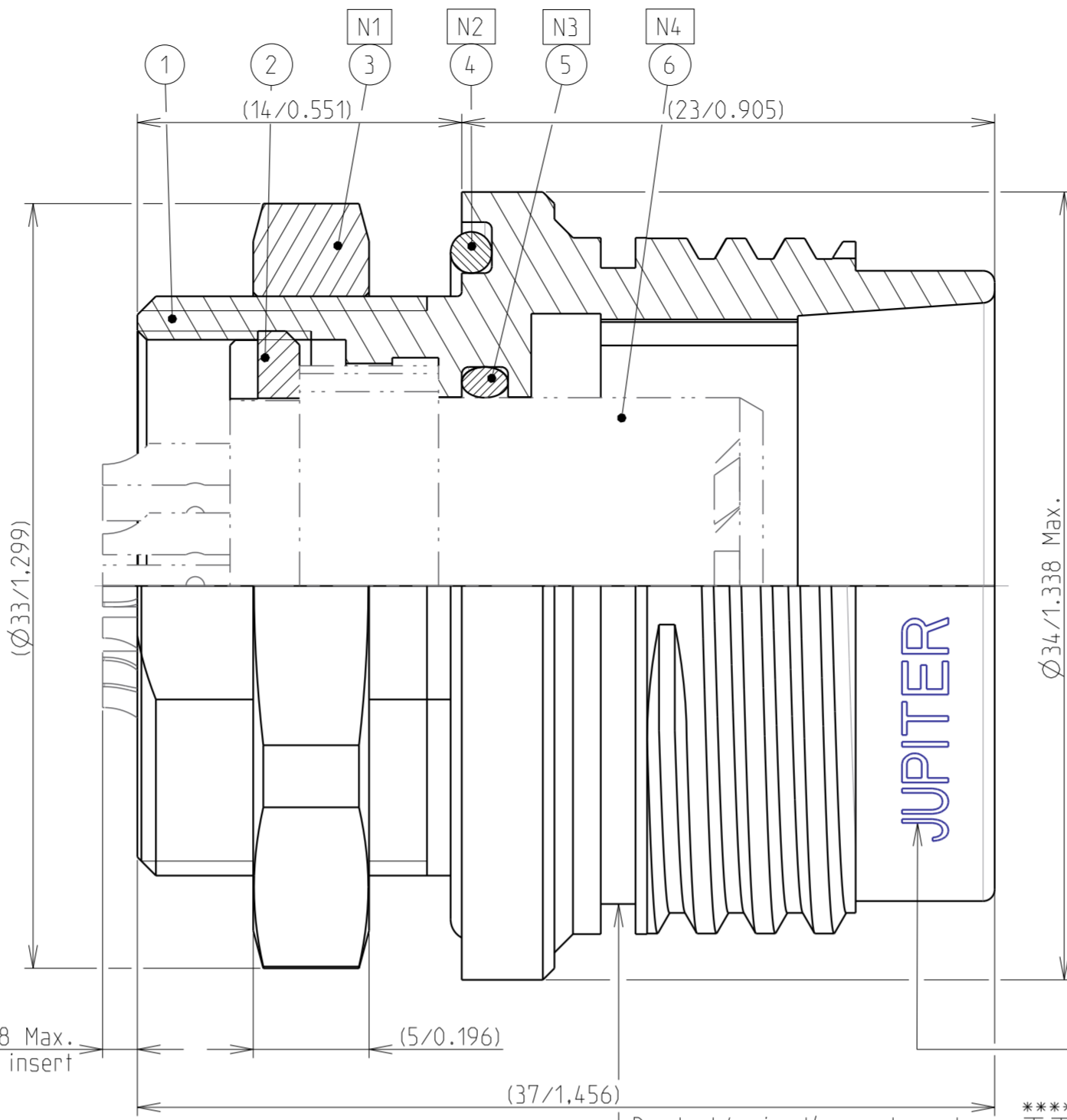
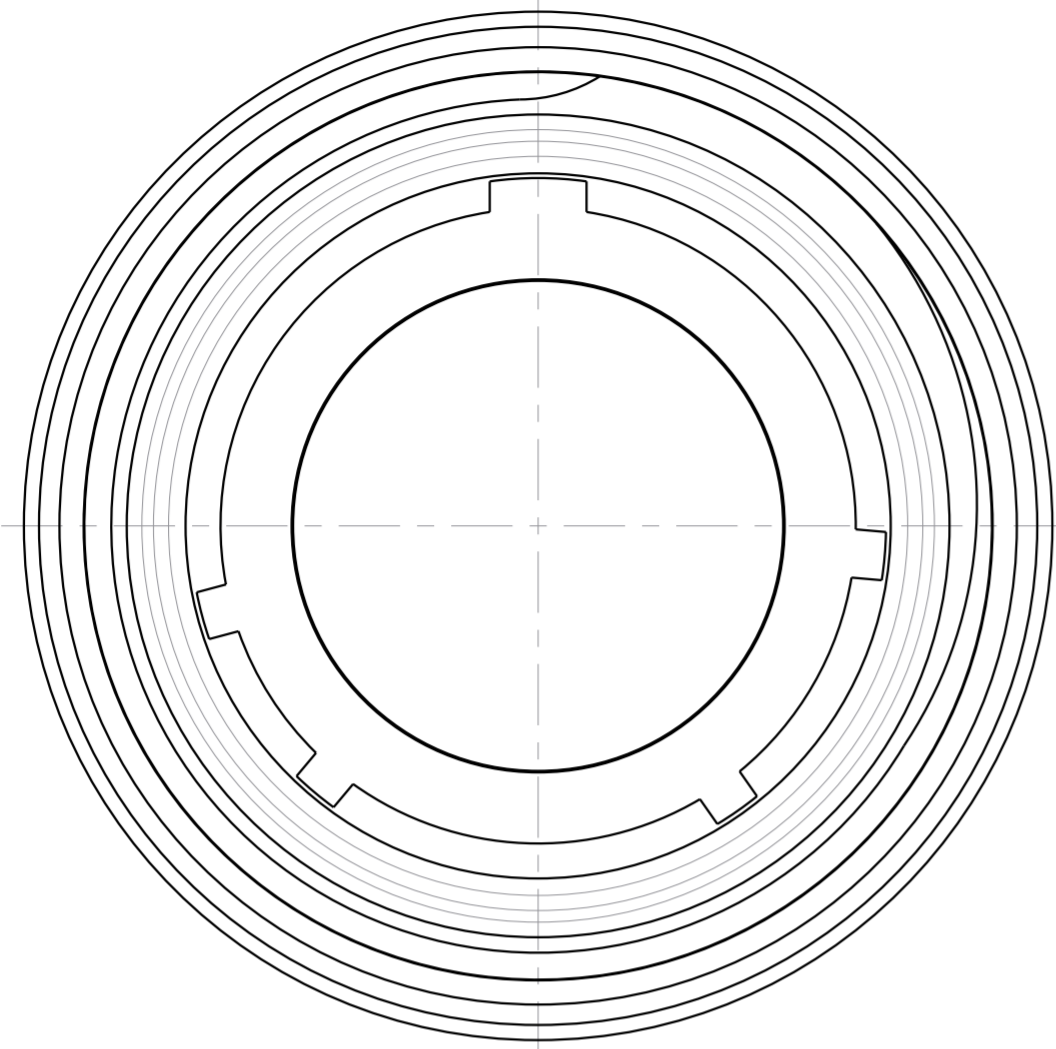


A.3: Validé

Country	Jurisdiction & Control List
FR	NOT LISTED

	critical dimension
	major dimension



N1 : SERRAGE SUR PANNEAU COUPLE 5.5 N.m  
TIGHTENING ON PANEL TORQUE 5.5 N.m

N2 : MONTAGE SANS GRAISSE  
MOUNTING WITHOUT GREASE

N3 : MONTAGE AVEC GRAISSE  
MOUNTING WITH GREASE

N4 : ISOLANT HORS FOURNITURE  
INSERT NOT SUPPLIED

2.5/0.098 Max.  
Multicontacts insert

(5/0.196)

(37/1.456)

Bande témoin d'accouplement  
Mating witness marking

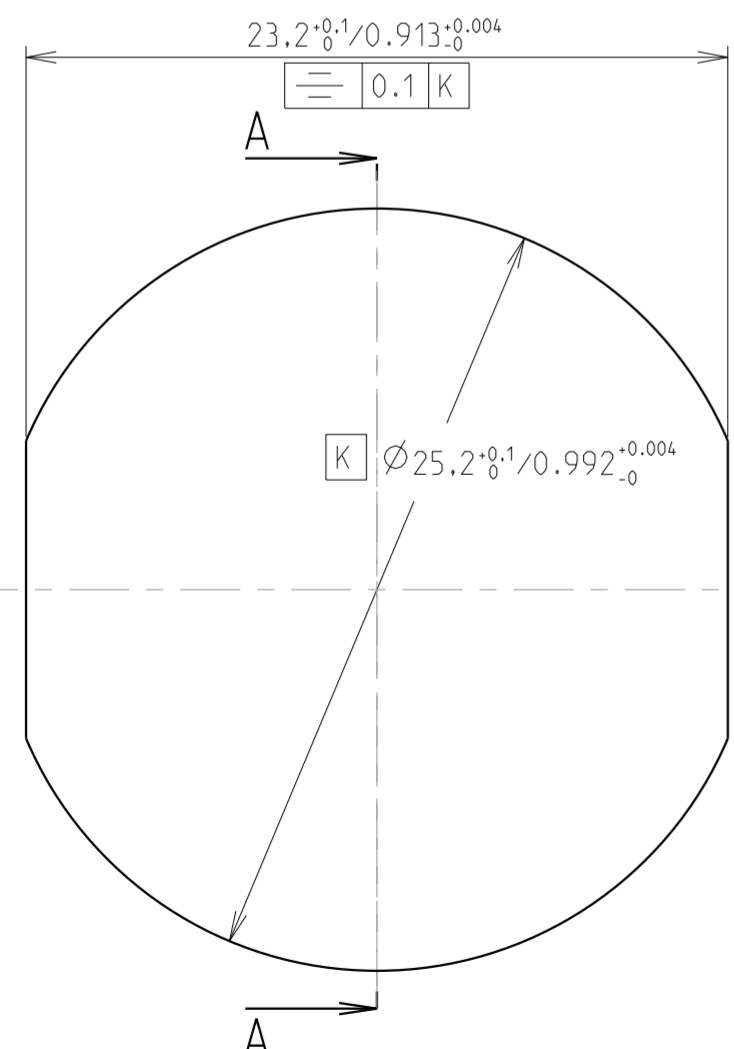
MARQUAGE/MARKING

\*\*\*\* JUPITER FR RER14PLY  
SEMAINE/WEEK  
ANNEE/YEAR

REFERENCE COMMERCIALE  
PART NUMBER

CRER14PLY

6	ISOLANT / INSERT
5	JOINT TORIQUE ISOLANT / O-RING INSERT
4	JOINT TORIQUE PANNEAU / O-RING PANEL
3	ECROU DE FIXATION / JAM NUT
2	BAGUE DE RETENUE / RETAINING RING
1	EMBASE RER / RECEPTACLE RER
REP	DESIGNATION

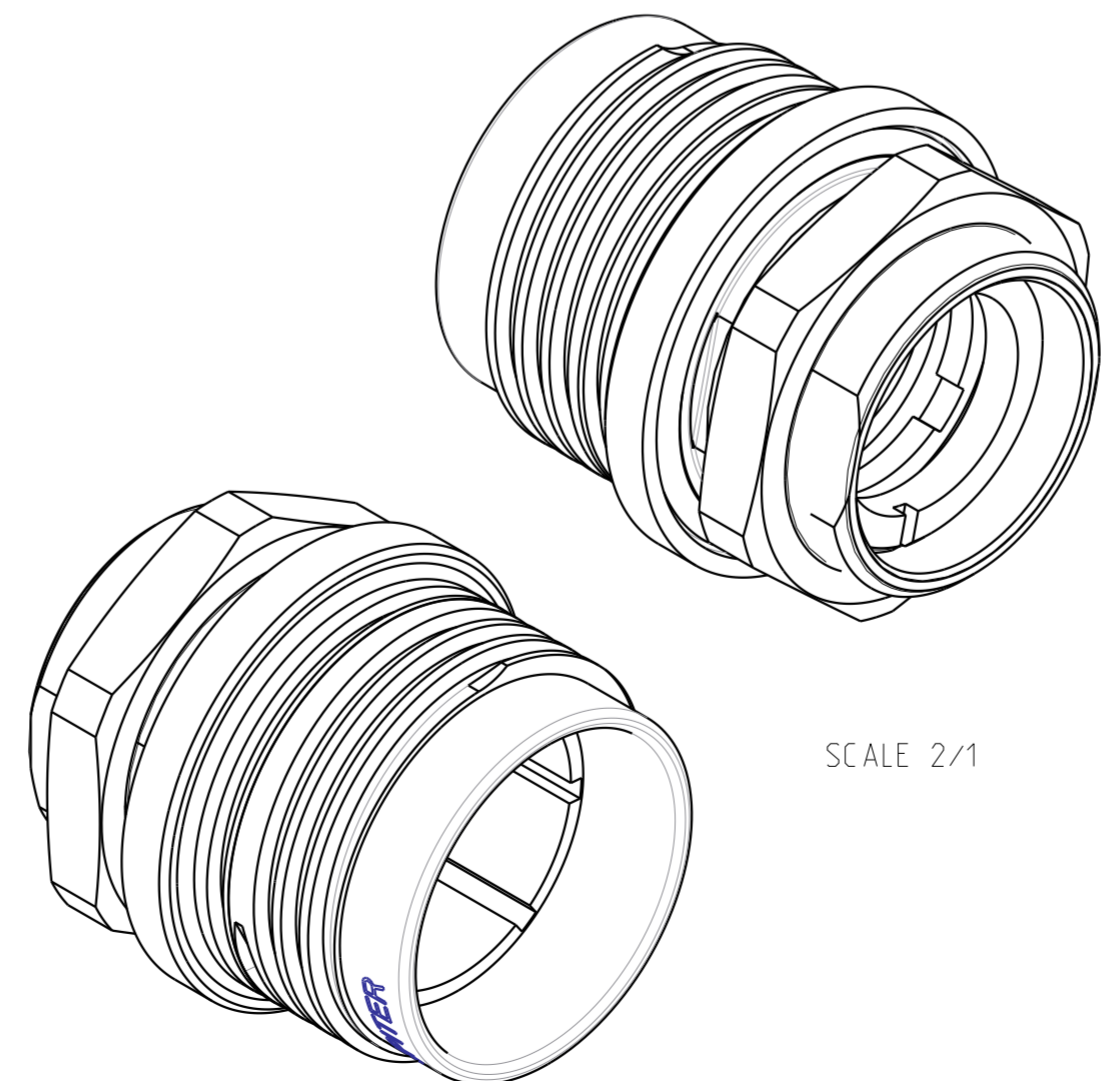
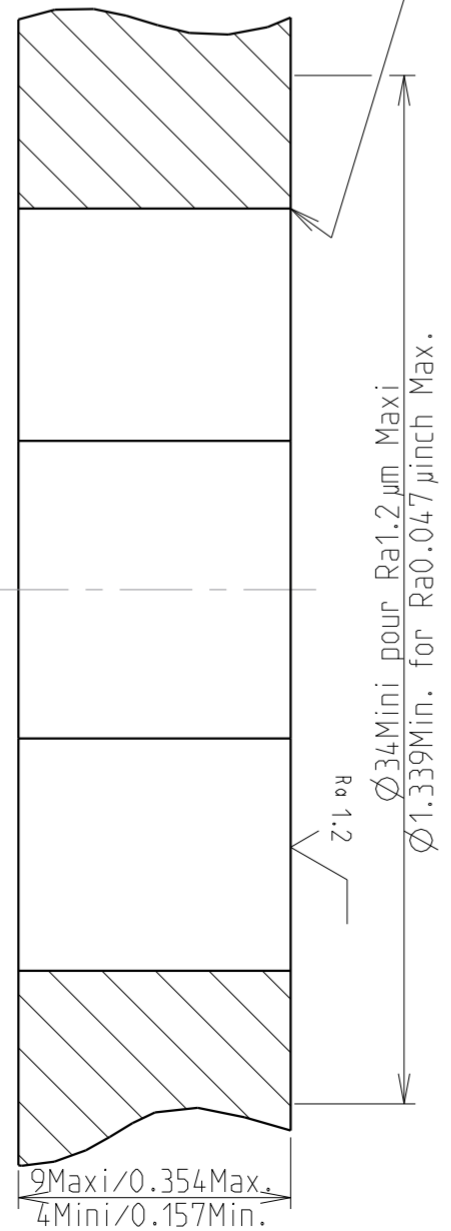


DECOUPE DU PANNEAU  
PANEL CUT OUT

SCALE 4/1

CUT A-A

Cassage d'angle 0.2 Maxi  
Breaking edge 0.008in Max.



SCALE 2/1

A	05/09/16	Initial drawing	ORAIN	MEFFRE	DIFF
Iss	Date	MODIFICATIONS	AC Naf.	Designed by	Checked by
MATERIAL --		TREATMENT	PROTECTION/PLATING		
--		--	--		
--		--	CODE --		
DIMENSIONS ARE DEFINED BEFORE PLATING					
TITLE		EMBASE RER / RECEPTACLE RER			PROJECT
		SERIE PL - TAILLE 14			PL54
Material Reference Voir Référence Commerciale / See Part Number					
		Generales tolerances ISO 2768		<b>SOURIAU</b>	
Scale 4/1		General machining Surface texture		<b>SOURIAU</b>	
Geometrical Tolerances: NF EN ISO 1101				3. RUE DU VALLON ZAC N°2 94440 MAROLLES-EN-BRIE (FRANCE) TEL. 33 (0)1 45 10 78 00	
This document is the property of SOURIAU it must not be reproduced or communicated without permission.		FORMAT A2	SOURIAU DRG N° <b>543E0030A8C</b>		Iss <b>A</b> SHEET 1/1