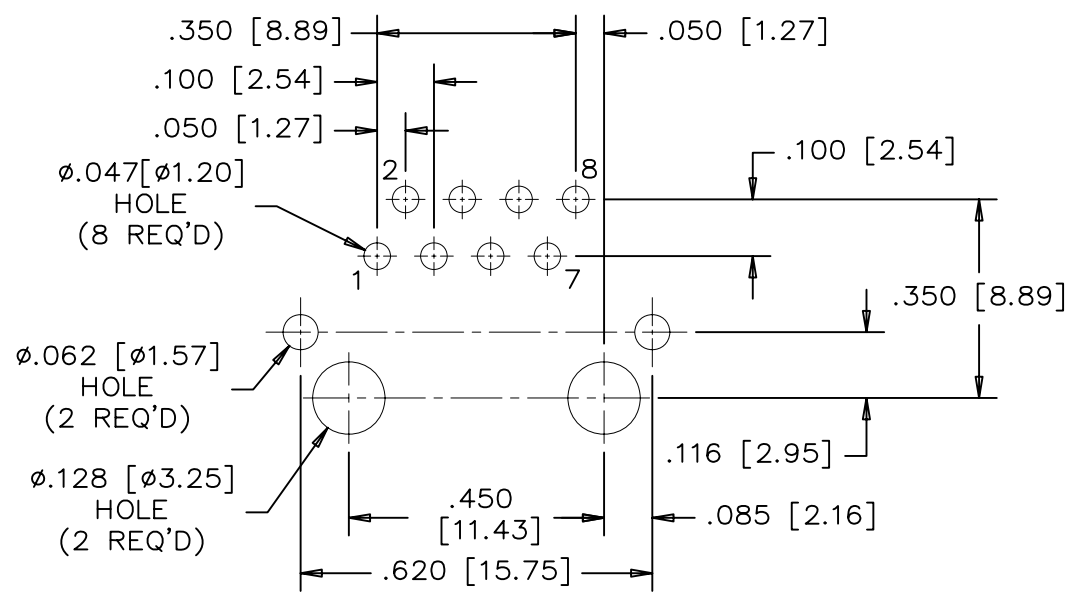
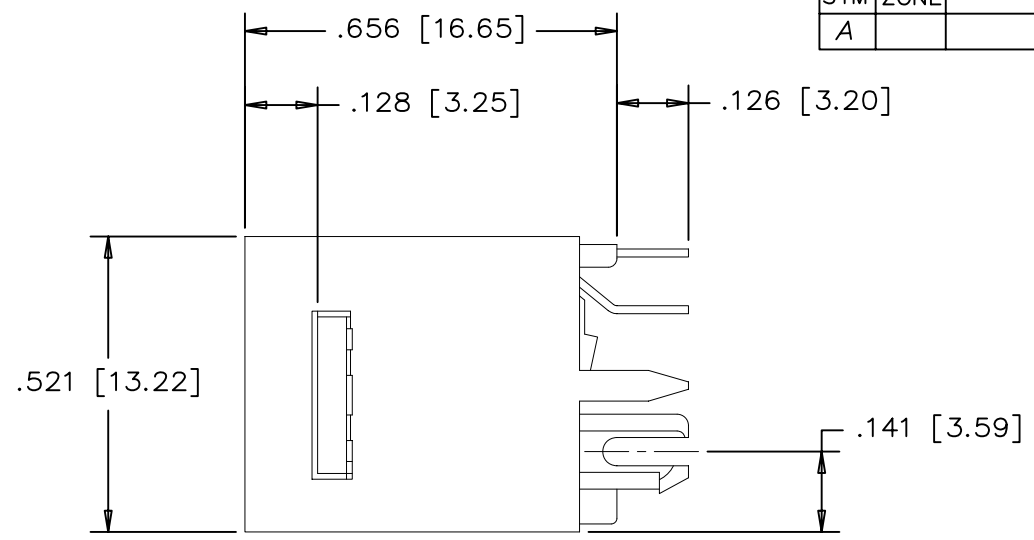
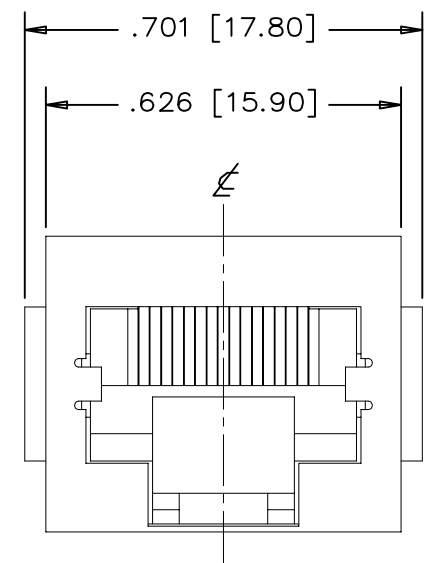
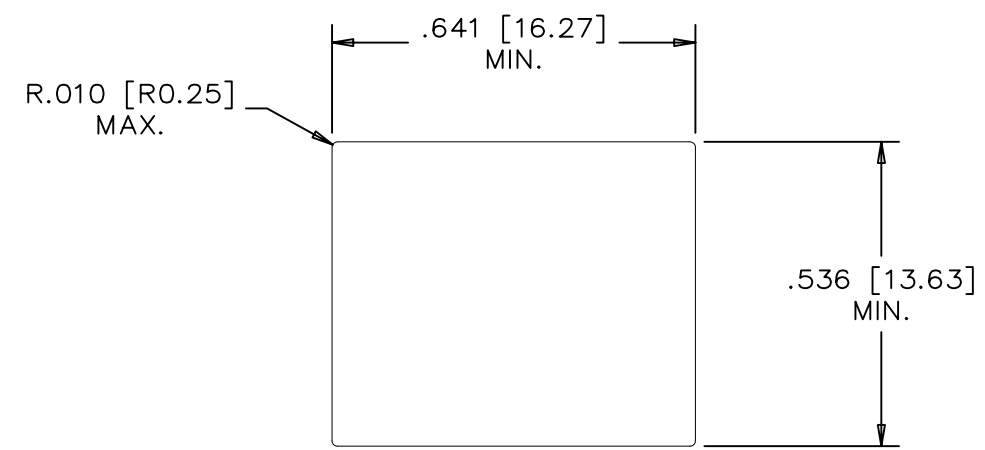


REVISIONS				
SYM	ZONE	ECN, ERN NO.	DATE	APPRD.
A		PROPOSAL	JUN23/06	L.CHAN



RECOMMENDED P.C.B. LAYOUT
(COMPONENT SIDE OF BOARD)



MATERIALS:

HOUSING: HIGH TEMPERATURE THERMOPLASTIC
FLAMMABILITY RATING UL94V-0
COLOR: BLACK

CONTACTS: PHOSPHOR BRONZE

PLATING: REFER TO PART NUMBER FOR GOLD THICKNESS
ON MATING SURFACE
50 MICROINCH [1.27 MICRONS] MIN. NICKEL OVERALL
100 MICROINCH [2.54 MICRONS] MIN. MATTE-TIN
OR GOLD FLASH OVER TAIL

SHIELD: COPPER ALLOY WITH NICKEL PLATED

RECOMMENDER SOLDERING TEMPERATURE:
WAVE SOLDERING OR REFLOW SOLDERING AT 260°C MAXIMUM FOR 5 SEC MAXIMUM



PART NUMBER: R J E 0 6 - 1 8 8 - 1 X 2 0 H

SERIES ——— R
1 PORT ——— J
NO. OF POSITIONS ——— E
NO. OF CONTACTS ——— 0 6

1 ——— 188 ——— HIGH TEMPERATURE MATERIAL
2 ——— WITH FLANGE
3 ——— GOLD PLATING
4 ——— 1 = 6 MICROINCH
5 ——— 2 = 15 MICROINCH
6 ——— 3 = 30 MICROINCH
7 ——— 4 = 50 MICROINCH
8 ——— FULL SHIELD

DRAWN PAULW	DATE JUN23/06	Amphenol Canada Corp.			
DESIGNED					
CHECKED CHIGOW	DATE JUN23/06	TITLE RJE06 SERIES, 8 POSITION 8 CONTACT, VERTICAL MOUNT, WITH SHIELD, AND FLANGE - RoHS COMPLIANT			
I. E. APPRD.					
Q. A. APPRD.		DWG	DRAWING NO. P-RJE06-188-1X20-H	REV. A	
DWG. APPRD.					
ENG. REL. NO.		SCALE	WT. -----	SURF. -----	SHEET 1 OF 1
REF.					
DIMENSIONS ARE IN INCHES [mm]	CODE ID. NO. 03554				

THIS DOCUMENT CONTAINS PROPRIETARY INFORMATION AND SUCH INFORMATION
MAY NOT BE DISCLOSED TO OTHERS FOR ANY PURPOSE OR USED FOR MANUFACTURING
PURPOSES WITHOUT WRITTEN PERMISSION FROM AMPHENOL CANADA CORP.