

THIS DRAWING IS UNPUBLISHED.

RELEASED FOR PUBLICATION

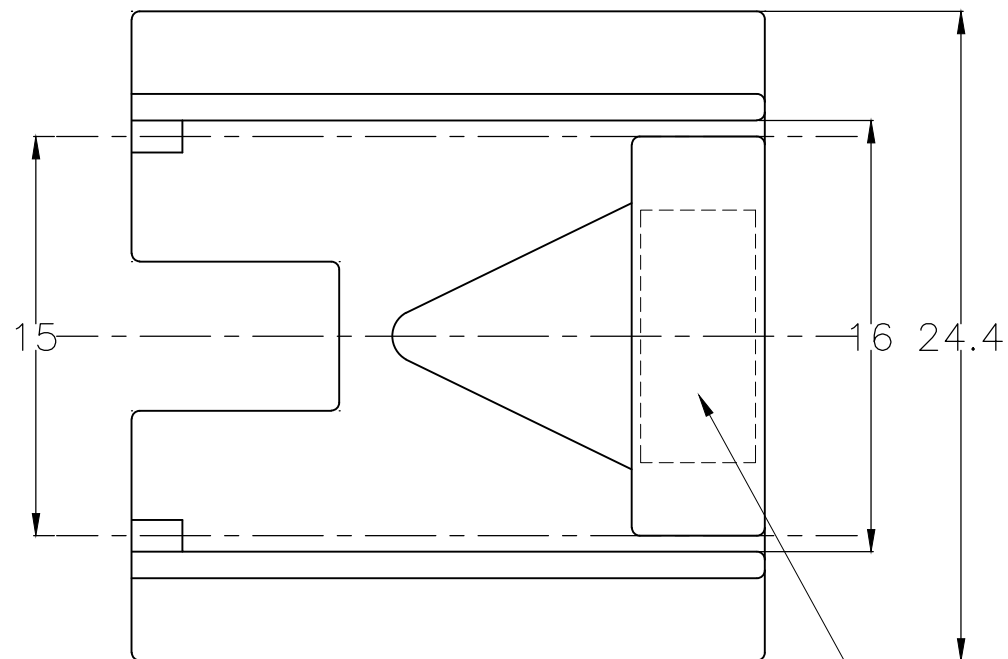
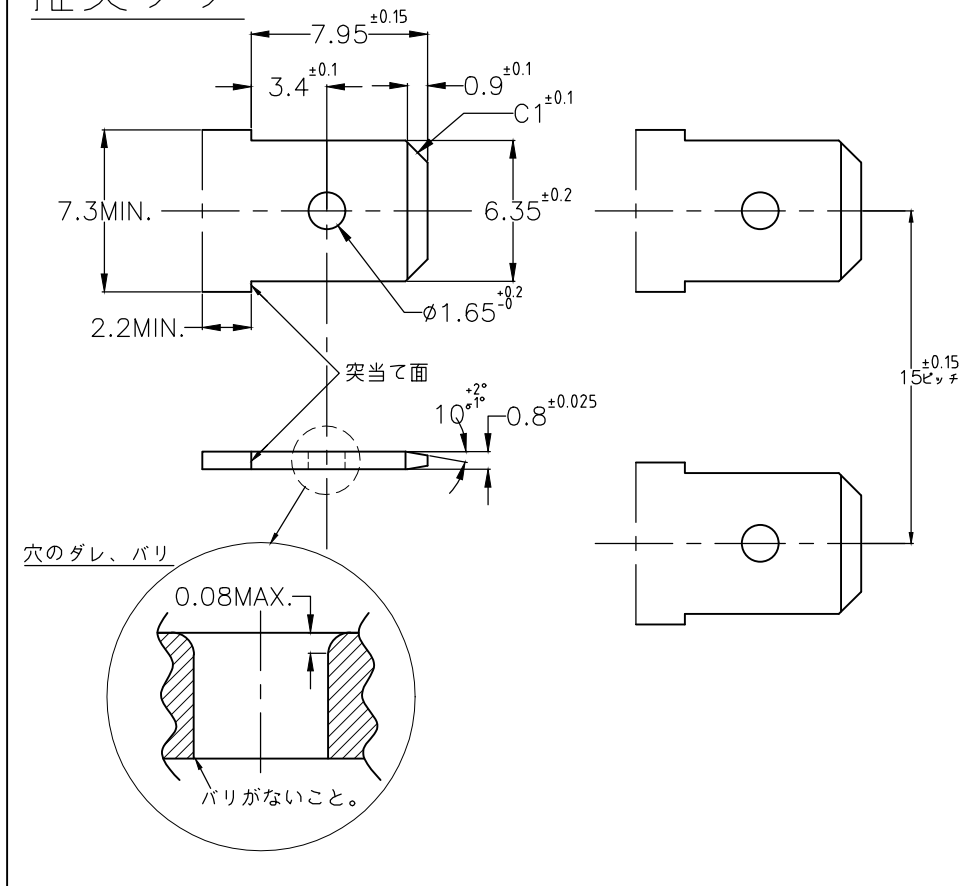
REVISIONS

© COPYRIGHT - TE Connectivity Ltd.

ALL RIGHTS RESERVED.

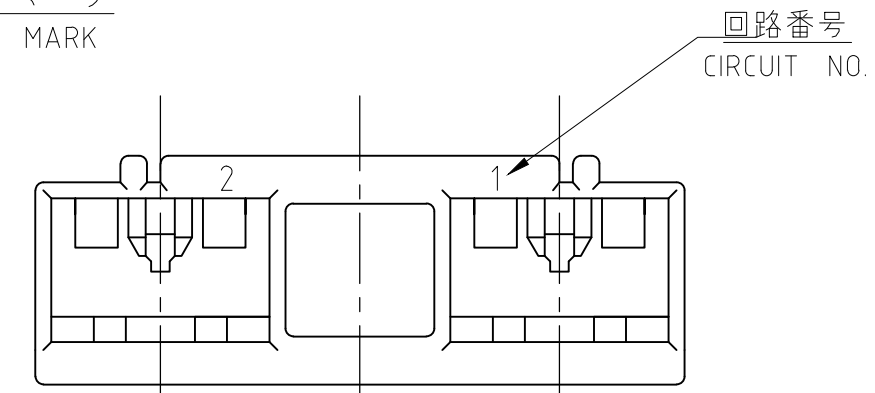
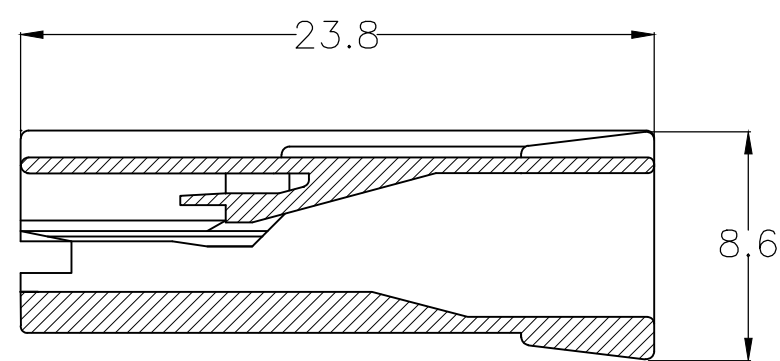
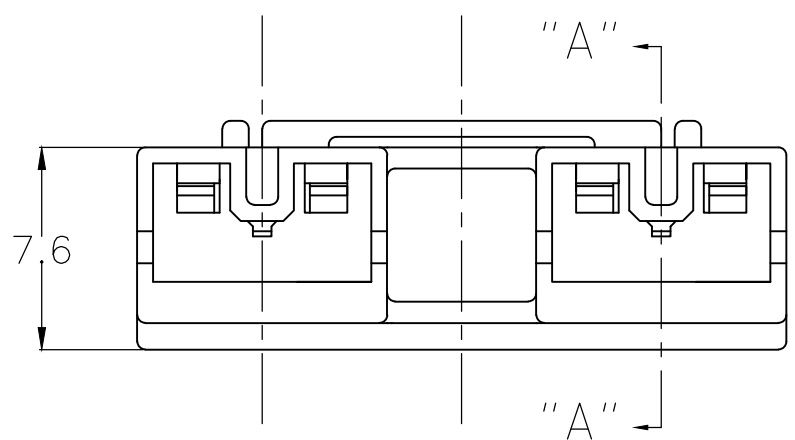
P	LTR	DESCRIPTION	DATE	DWN	APVD
	C	REVISED ECR-18-015103	12NOV2018	TD	ST

### 推奨タブ



注記)  
 1.適用コンタクト型番:  
 179973-X,179974-X,179975-X  
 2.材料:6/6ナイロン ガラス入り(UL94V-0)

NOTE)  
 1.APPLICABLE CONTACT:  
 179973-X,179974-X,179975-X  
 2.MATERIAL:6/6NYLON GLASS FILLED(UL94V-0)



### 断面 "A" - "A" SECT

OBSOLETE	BLUE 青色	—1-1939581-6—
	NATURAL 自然色	1939581-1
NOTES	COLOR 色調	PART NUMBER 型番

THIS DRAWING IS A CONTROLLED DOCUMENT.		DWN J.HOSHIBA 10JUL'06	TE Connectivity Ltd.		
DIMENSIONS: 単位: 耗 mm		CHK N.YAMASAKI 10JUL'06			
TOLERANCES UNLESS OTHERWISE SPECIFIED: 一般公差		APVD S.MANABE 10JUL'06	NAME 名称 250 SERIES POSITIVE LOCK EX-II REC HSG SHROUD TYPE 15mm PITCH 2POS		
0 PLC ± - 1 PLC ± - 2 PLC ± 0.3 3 PLC ± - 4 PLC ± - ANGLES ± -		PRODUCT SPEC 製品規格 108-78391	SIZE A3	CAGE CODE 00779	DRAWING NO 番号 C-1939581
MATERIAL 材料 SEE NOTE 2		FINISH 仕上	WEIGHT 0.000000	RESTRICTED TO —	
CUSTOMER DRAWING			SCALE 尺度 5:1	SHEET 1 OF 1	REV C