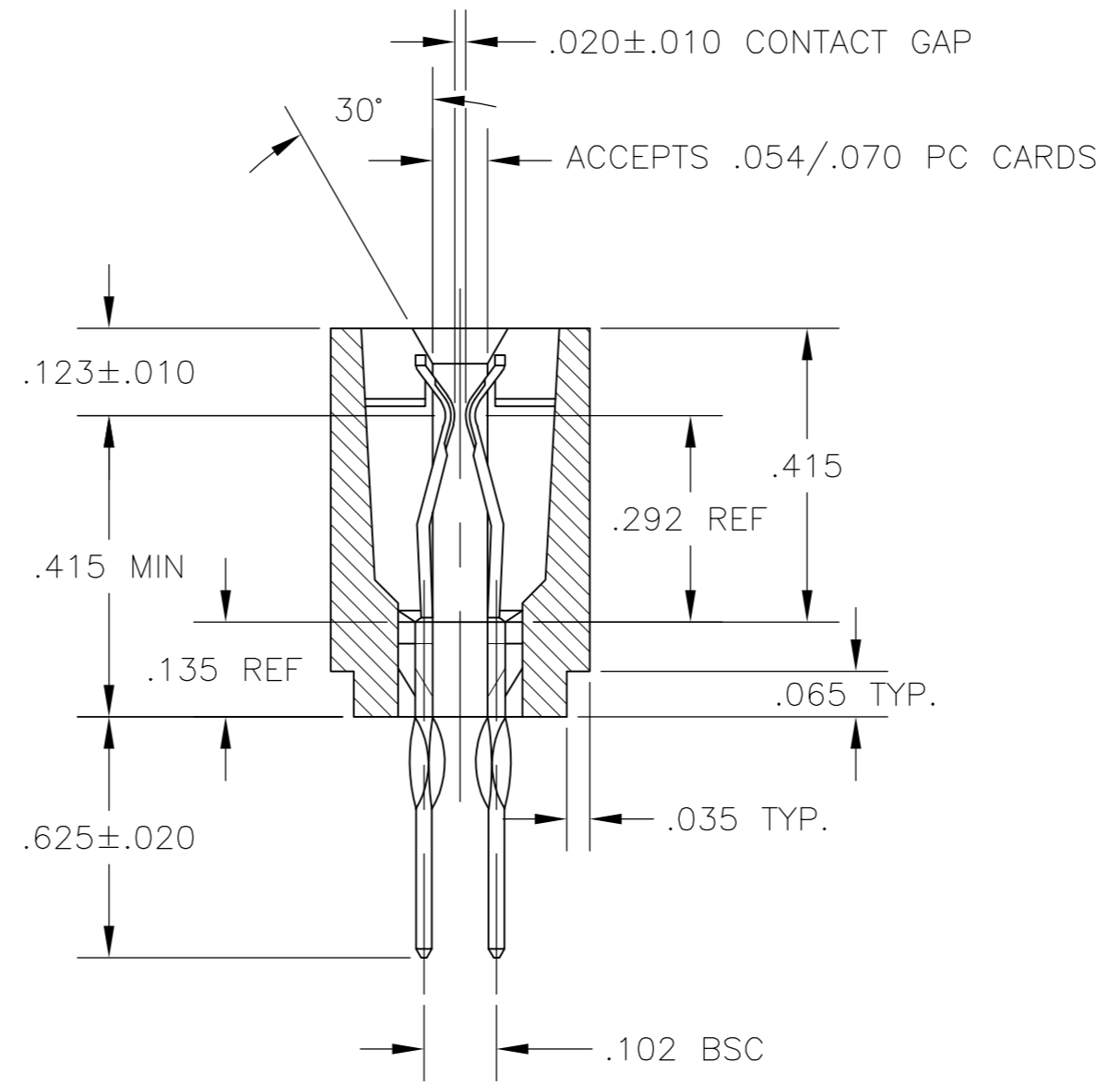
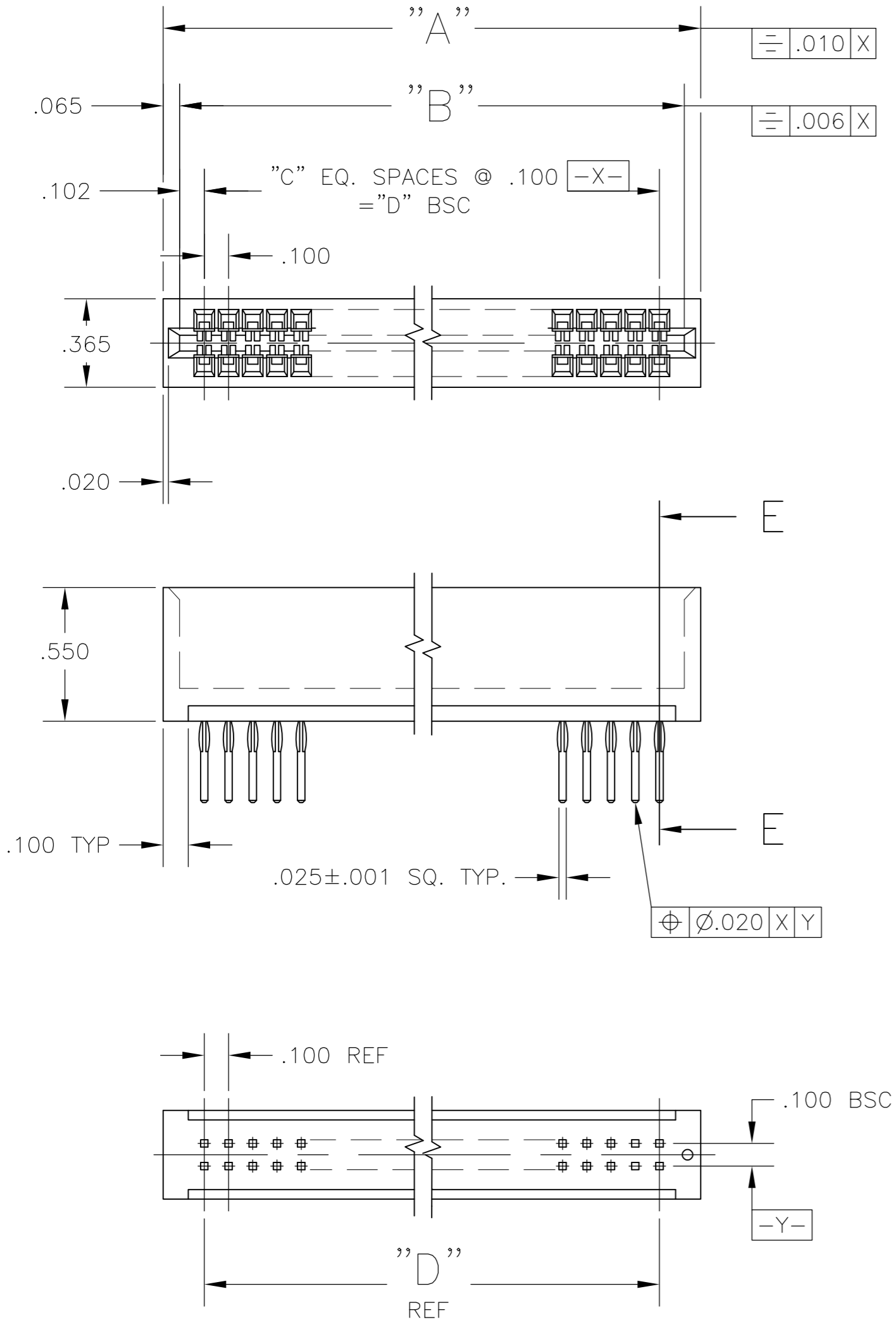


THIS DRAWING IS UNPUBLISHED. RELEASED FOR PUBLICATION  
 © COPYRIGHT BY TYCO ELECTRONICS CORPORATION. ALL RIGHTS RESERVED.

LOC		DIST		REVISIONS			
P	LTR	DESCRIPTION	DATE	DWN	APVD		
	A	ECO-05-002939	27JUN06	BSV	MK		
	A1	REVISED PER ECO-09-024927	03DEC09	KK	AEG		

NOTES:

- 1 MATERIAL: 30% GLASS FILLED REINFORCED POLYESTER, FLAME RETARDANT PER UL 94V-0, COLOR-BLACK.
- 2 CONTACT MATERIAL: CDA #725 ALLOY, HARD TEMPER.
- 3 CONTACT PLATING: 45- .000005 IN. GOLD FLASH OVER .000050 MIN. NICKEL UNDERPLATE, WITH .000030 IN. GOLD PLATE ON THE CONTACT AREA AND THE SIGNIFICANT TAIL AREA.
- 4. RECOMMENDED PC BOARD HOLE SIZE:  
 -DRILLED HOLE SIZE OF .0453±.0010.  
 -COPPER PLATE .001-.003 THICK.  
 -TIN/LEAD PLATE .0003 MINIMUM.  
 -FINISHED HOLE SIZE OF .040±.003.
- 5. RECOMMENDED PC BOARD THICKNESS: .093/.125.
- 6 OBSOLETE PARTS: OBSOLETE CIS STREAMLINING PER D.RENAUD/D.SINISI



SECTION E-E  
SCALE 4:1

6	OBSOLETE	9.900	99	10.104	10.234	C1D100PF45037
		8.900	89	9.104	9.234	C1D90PF45037
		6.900	69	7.104	7.234	C1D70PF45037
	"D" ±.005	"C" EQ. SPACES	"B" ±.005	"A" ±.010	HOLMBERG ASSY. NO.S	

THIS DRAWING IS A CONTROLLED DOCUMENT.

DWN	S.J.LAPRAIK	28MAR90
CHK	-	-
APVD	-	-
PRODUCT SPEC	CONNECTOR ASSY, PRESS/FIT CARD EDGE	
APPLICATION SPEC	.100 X .100 CENTRES, C1 SERIES (70, 90 AND 100 POSITION)	
MATERIAL	FINISH	WEIGHT
1 2	3	-
CUSTOMER DRAWING		SCALE 2:1

Tyco Electronics Corporation  
 Harrisburg, Pa 17105-3608  
 NAME: S.J.LAPRAIK  
 SIZE: A2 00779 C=1437264-2  
 SHEET 1 OF 1 REV A1  
 RESTRICTED TO

1437264-2

**OBSOLETE**  
**NOT THE LATEST REVISION**