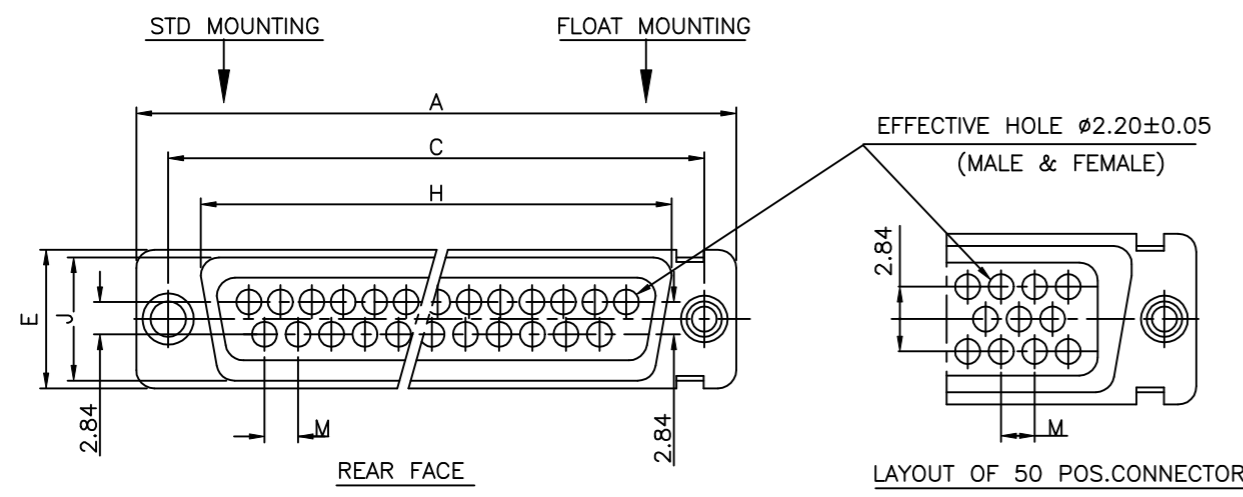
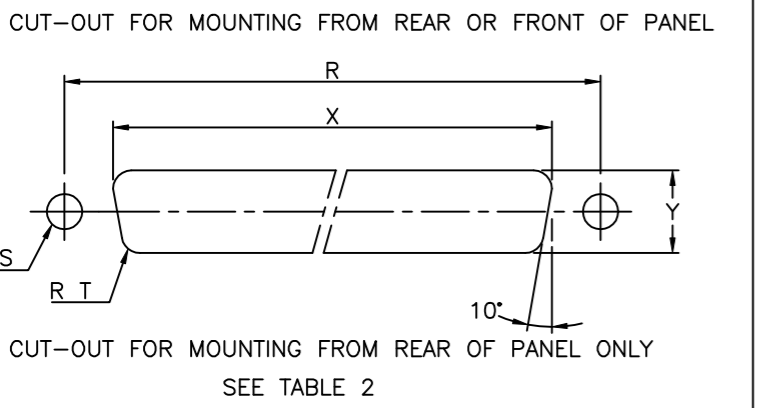
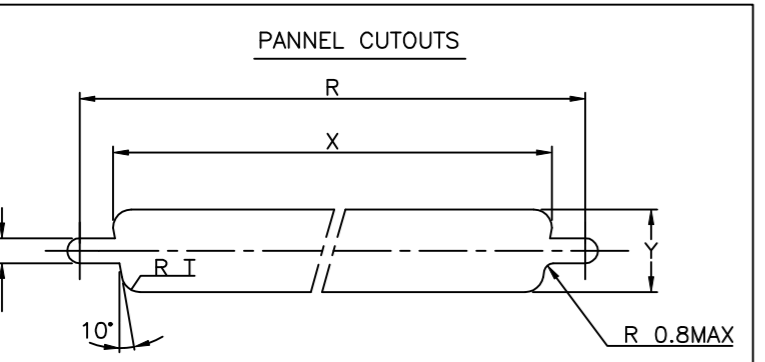
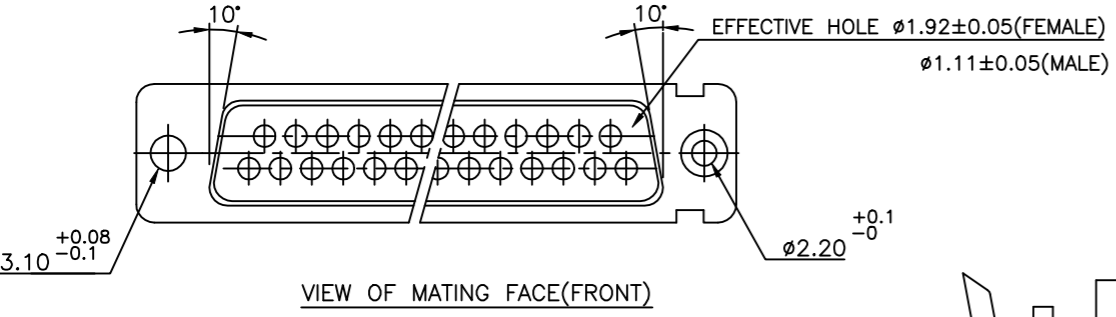
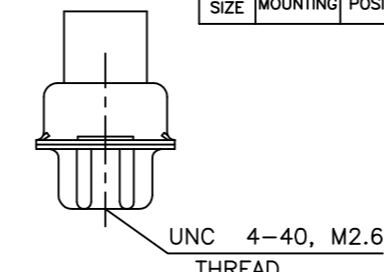
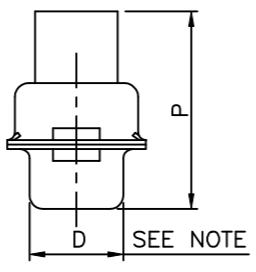
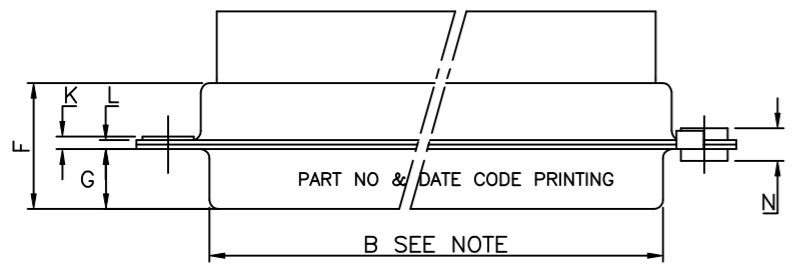


Amphenol FCI
 © 2016 AFCI



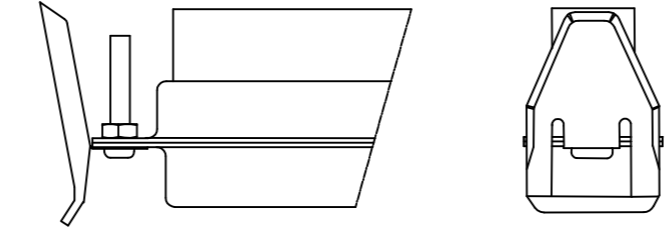
EFFECTIVE HOLE $\phi 2.20 \pm 0.05$
(MALE & FEMALE)

LAYOUT OF 50 POS. CONNECTOR



"This LF product meets European Union Directives and other country regulations as described in GS-22-008"

Packaging as per GS-14-920



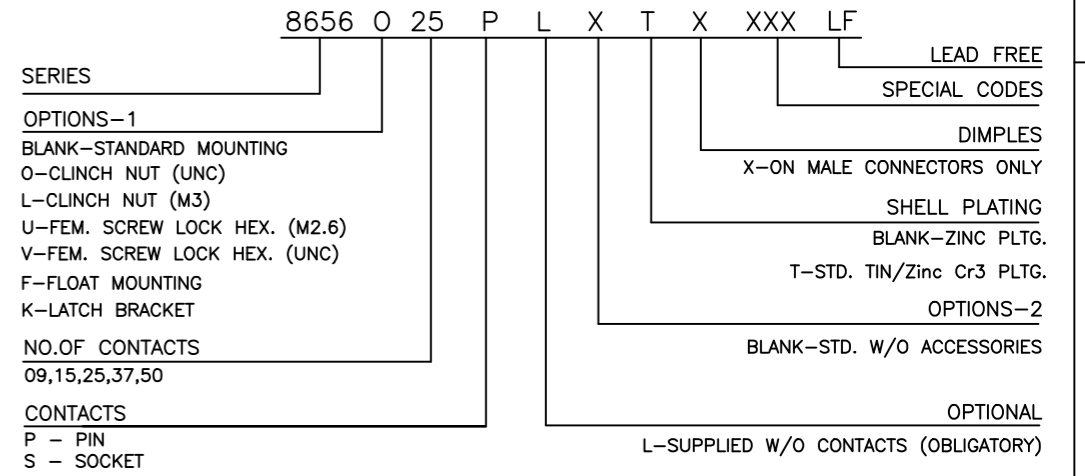
SHELL SIZE	TYPE OF MOUNTING	MOUNTING POSITIONS	DIMENSIONS					
			X±0.1	Y±0.1	R±0.1	S-0	T±0.1	
50	STD	FRONT	58.30	15.80	61.11	3.20	2.10	
	REAR	56.30	14.10	61.11	3.20	3.30		
FLOAT	FRONT	59.20	16.60	61.11	2.20	2.10		
	REAR	57.20	14.40	61.11	2.20	3.30		
37	STD	FRONT	60.70	13.00	63.50	3.20	2.10	
	REAR	59.10	11.40	63.50	3.20	3.30		
FLOAT	FRONT	61.50	13.80	63.50	2.20	2.10		
	REAR	59.80	12.20	63.50	2.20	3.30		
25	STD	FRONT	44.30	13.00	47.04	3.20	2.10	
	REAR	42.50	11.40	47.04	3.20	3.30		
FLOAT	FRONT	45.10	13.80	47.04	2.20	2.10		
	REAR	43.30	12.20	47.04	2.20	3.30		
15	STD	FRONT	30.50	13.00	33.32	3.20	2.10	
	REAR	28.80	11.40	33.32	2.20	3.30		
FLOAT	FRONT	31.30	13.80	33.32	2.20	2.10		
	REAR	29.60	12.20	33.32	2.20	3.30		
09	STD	FRONT	22.20	13.00	24.99	3.20	2.10	
	REAR	20.50	11.40	24.99	3.20	3.30		
FLOAT	FRONT	23.00	13.80	24.99	2.20	2.10		
	REAR	21.30	12.20	24.99	2.20	3.30		

TABLE 2

SHELL SIZE	TYPE OF MOUNTING	MOUNTING POSITIONS	DIMENSIONS													
			A-0	B-0	C-0	D-0	E-0	F MAX	G-0	H-0	J-0	K±0.20	L-0	M±0.06	NMAX	P MAX
50	P	FRONT	66.65	52.68	61.11	11.08	14.99	11.09	5.85	55.07	13.31	1.50	1.0	2.76	3.05	17.35
	S	FRONT	66.65	52.30	61.11	10.62	14.99	11.21	6.05	55.07	13.31	1.10	0.8	2.76	2.85	17.44
37	P	FRONT	68.94	55.30	63.50	8.23	12.17	11.09	5.85	57.45	10.46	1.50	1.0	2.76	3.05	17.35
	S	FRONT	68.94	54.71	63.50	7.77	12.17	11.21	6.05	57.45	10.46	1.10	0.8	2.76	2.85	17.44
25	P	FRONT	52.65	38.84	47.04	8.23	12.17	11.07	5.85	41.02	10.46	1.10	0.8	2.76	2.85	17.35
	S	FRONT	52.65	38.25	47.04	7.77	12.17	11.21	6.05	41.02	10.46	1.10	0.8	2.76	2.85	17.44
15	P	FRONT	38.76	25.12	33.32	8.23	12.17	10.99	5.85	27.25	10.46	1.10	0.8	2.74	2.85	17.35
	S	FRONT	38.76	24.54	33.32	7.77	12.17	11.21	6.05	27.25	10.46	1.10	0.8	2.74	2.85	17.44
09	P	FRONT	30.43	16.79	24.99	8.23	12.17	10.99	5.85	19.02	10.46	1.10	0.8	2.74	2.85	17.35
	S	FRONT	30.43	16.21	24.99	7.77	12.17	11.21	6.05	19.02	10.46	1.10	0.8	2.74	2.85	17.44

NOTE:—INSIDE DIM. OF MALE AND OUTSIDE DIM. OF THE FEMALE CONNECTOR.

ORDERING INFORMATION



TECHNICAL SPECIFICATIONS

- SHELLS : TIN/CADMIUM/ZINC PLATED STEEL
- INSULATOR MATERIAL : SELF EXTINGUISHING THERMOPLASTIC—TO UL CLASS 94 V0
- THE HOUSING WILL WITHSTAND EXPOSURE TO 260–265°C IF WE USE PROTECTIVE ADHESIVE (type Kapton or Teflon) OR PROTECTIVE METALLIC DEVICE
- CONTACTS DIA ON ACTIVE AREA : $\phi 1$ MM.
- CONTACTS MATERIAL : COPPER ALLOY
- CONTACT PLATING : GOLD / GXT OVER NICKEL (ACTIVE ZONE)
- FOR LEAD FREE PLATING : 2 μ MIN.MATTE TIN TOP OVER 1.27 μ MIN.NICKEL UNDER PLATE(ON TERMINATION ZONE)
- OPERATING TEMPERATURE : -55°C TO +125°C
- OPERATING CURRENT : 5 A PER CONTACT
- CONTACT RESISTANCE : ≤ 10 m Ω
- INSULATION RESISTANCE : > 5000 M Ω IN AMBIENT CONDITIONS.
- MAXIMUM VOLTAGE : 1000 V.r.m.s
- MECHANICAL ENDURANCE : 200 MATINGS (CODE 64)
- DAMP HEAT : 21 DAYS
- WIRE SIZE : AWG 20/24 OR AWG 24/28
- CONTACTS : CRIMP REMOVABLE
- MAX DIA OF WIRE : 1.52mm (AWG 20/24) 1.02mm (AWG 24/28)

mat'l. code				surface	tolerance	projection	product family
				ISO 1302	ISO 406 ISO 1101		D-SUB
ltr ecn no dr date				tolerances unless otherwise specified		mm	title
E i06-0074 GVJ 2006/06/08				angles	.0±.1		
F i11-0003 AMR 2011-01-06				linear	.0±.05		
F1.1 - PK 2012/05/29				0°±2'	.00±.005	scale 1:1	
G ELX-I-01185 PK 2012/06/01		dr		MINI KV	1999/03/20	dwg no sheet 1 of 1 size	
H ELX-I-43803 ACJ 2022/01/11		enr		ARUN CJ	2022/01/11	C-DSUB-0071 A3	
		chr		GREGAR M	2022/01/11	type Product Customer Drawing	
		appd		SANOJ PK	2022/01/11		
sheet index	revision sheet	H	1				