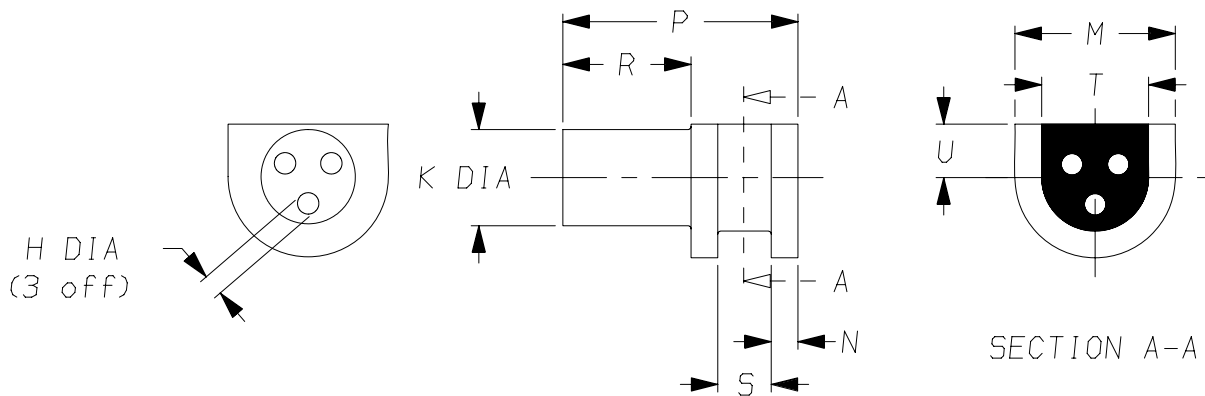


a) Part as supplied

305W010



DIMENSIONS in millimetres
(in inches, for reference)

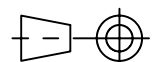
Part No.	H Ref	K Ref	M Ref	N ±10%	P ±10%	R ±10%	S Ref	T Ref	U Ref
a	a	a	a	a	a	a	a	a	a
305W010	2.0 (0.08)	9.0 (0.35)	15 (0.59)	2.5 (0.10)	22 (0.87)	12 (0.47)	5.0 (0.20)	10 (0.39)	5.0 (0.20)

Copyright (!)

The copyright in this drawing is the property of Tyco Electronics UK Ltd. The drawing is issued on the condition that it is not copied, reproduced or disclosed to a third party, either in whole or in part without the prior written consent of Tyco Electronics UK Ltd.

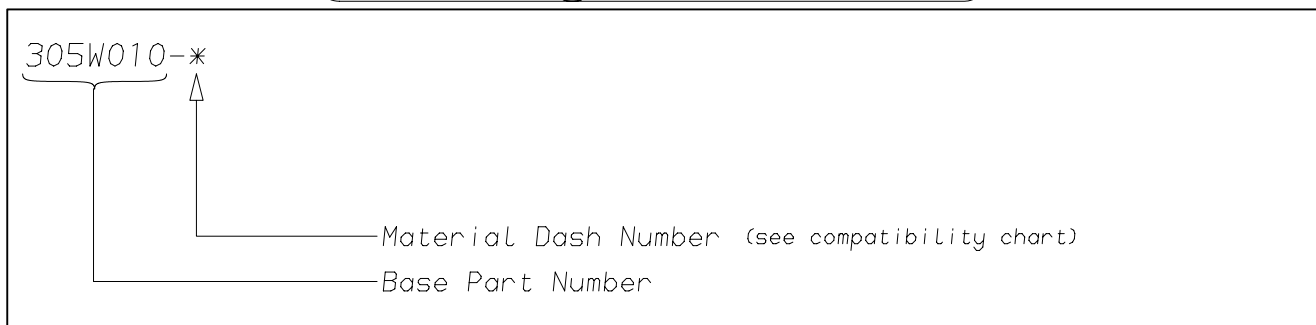
Drawn A.LILLEY. Checked Issue 2 Date January 2007 Conforms to ISO Recommendations
3rd Angle Projection
Not to Scale

Approval Design MKTG. Q.A.



Raychem		Specification	Part Number
		Control Drawing	305W010 Issue 2
Iss.	Date	E.C.R. No.	Details of Change
2	January 2007	CR06-HM-012	Imperial dimensions added

(Ordering Information)



(COMPATIBILITY CHART)

Material Dash Number	Material Description	SPEC Number	Coating Slash Number
-3	POLYOLEFIN, SEMI-RIGID	RT-301, RK-6703	N/A
-4	POLYOLEFIN, FLEXIBLE	RT-1304 RT-1050	N/A
-6	SILICON	RT-602, RK-6706	N/A
-12	FLUOROELASTOMER, FLEXIBLE	RT-1312, RW-2071	N/A
-25	ELASTOMER, FLUID RESISTANT	RT-1325, RK-6713	N/A
-100	ZERO HALOGEN	RT-1323, RK-6717	N/A
-130	POLYOLEFIN, COMMERCIAL FLEXIBLE	RW-2008	N/A

Tyco Electronics UK Ltd. Faraday Road, Swindon, Wiltshire, SN3 5HH England Telephone: (01793) 528171 Fax: 572516	Tyco Electronics Corporation 300, Constitution Drive, Menlo Park, CA 94025 USA Telephone (650) 361-3860 Fax: (650) 361-5579
Cage Code K1010	Cage Code 06090