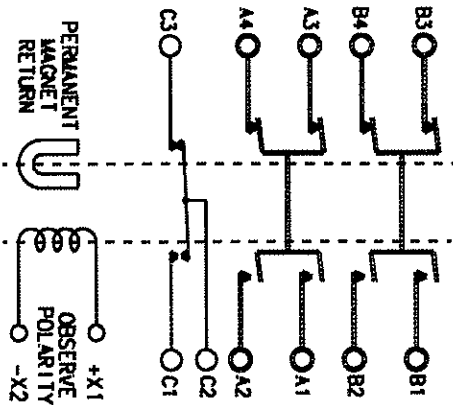
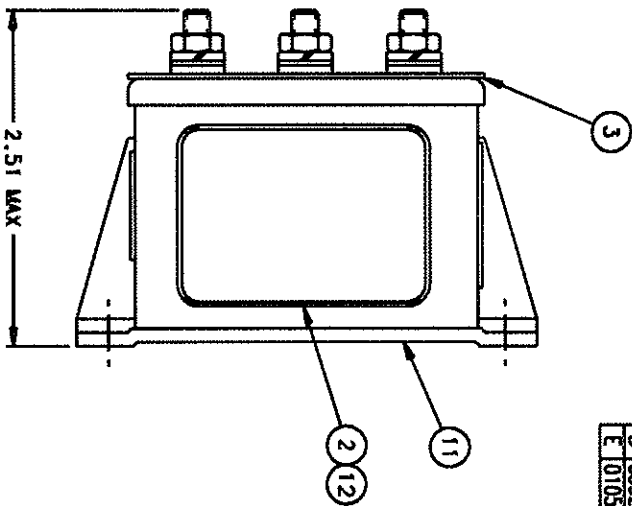
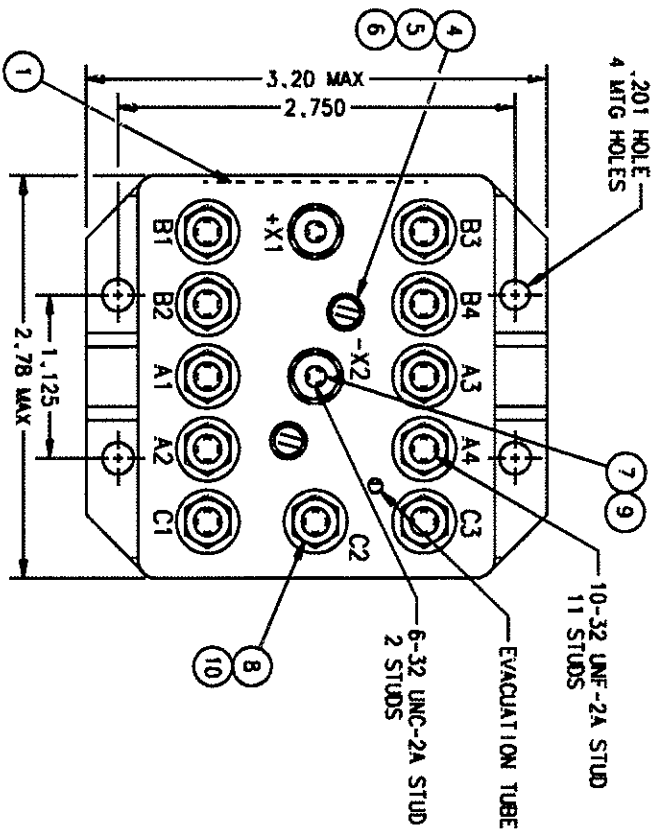


REV	DESCRIPTION	DATE	APPROVED
D	0592-02 REDRAWN - ITEM 6 WAS 51805-021	02/05/26	CC
E	0105-03 ADD ITEM 12	05/12/10	CR



NOTES:  
 1. THIS UNIT IS DESIGNED TO THE BASIC REQUIREMENTS OF MIL-R-6106E EXCEPT AS NOTED.

CONSTRUCTION

MAIN CONTACTS \*A & B\*

CONFIGURATION

VOLTAGE (NOMINAL)

CURRENT RES-

AUXILIARY CONTACTS \*C\*

CONFIGURATION

VOLTAGE

CURRENT RES-

COIL DATA

DUTY CYCLE

NOM. COIL VOLTAGE

PICKUP MAX

DROPOUT VOLTAGE

ENVIRONMENTAL DATA

AMBIENT TEMP.

HERMETICALLY SEALED

2 PDT SIDESTABLE

28 VDC

30 AMP

SPDT

28 VDC

10 AMP

CONTINUOUS

28 TO 30 VDC

18 VDC

1.5 VOLTS TO 7.0 VOLTS

-55°C TO +71°C

LIFE ELECTRICAL 50,000 CYCLES MINIMUM  
 LIFE MECHANICAL 100,000 CYCLES MINIMUM  
 MAX WEIGHT (EST) 16 OZ.

QTY	DESCRIPTION	PART OR IDENTIFYING NO	MANUFACTURE OR DESCRIPTION	DRAWING OR SPECIFICATION	MATERIAL OR NOTE
12	OVERLAY	39529-001			
11	PRIMARY ASSEMBLY	36532-010			
10	WASHER - LOCK NO 10 SPLIT	51810-031			STEEL
9	WASHER - LOCK NO. 6 SPLIT	51806-021			STEEL
8	NUT - 10-32 X 5/16 X 9/64 HEX	50410-051			BRASS
7	NUT - 6-32 X 1/4 X 3/64 HEX	50405-031			BRASS
6	WASHER - LOCK NO. 5 SPLIT	51805-011			BRONZE
5	SCREW - 5-40 X 3/16 BD.HD.	51205-061			BRASS
4	SPACER	07517-002			
3	PLATE - BASE COVER	16782-001			
2	PLATE - WIRING DIAGRAM	16801-001			
1	PLATE - NAME	16043-001			

DR BY	RCB	103/12/10
ENGR	CB	03-12-10
MFG	BY	03-12-10
SIZE	DATE	
C	74063	

DRG NO.	DH-7PG
CONTACTOR 2PDT SIDESTABLE	
30 AMP 28 VDC	
093	

**TYCO Electronics**

121 Horton Road, Division 115 W. Duxbury Street, Weymouth, MA 01988

REF TYCO P/N 1-1616089-1