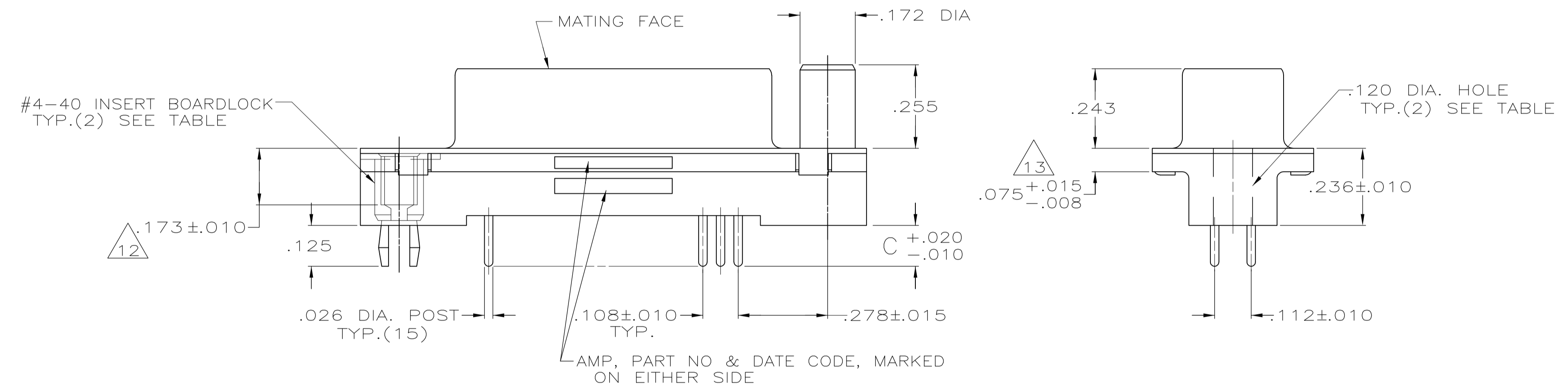
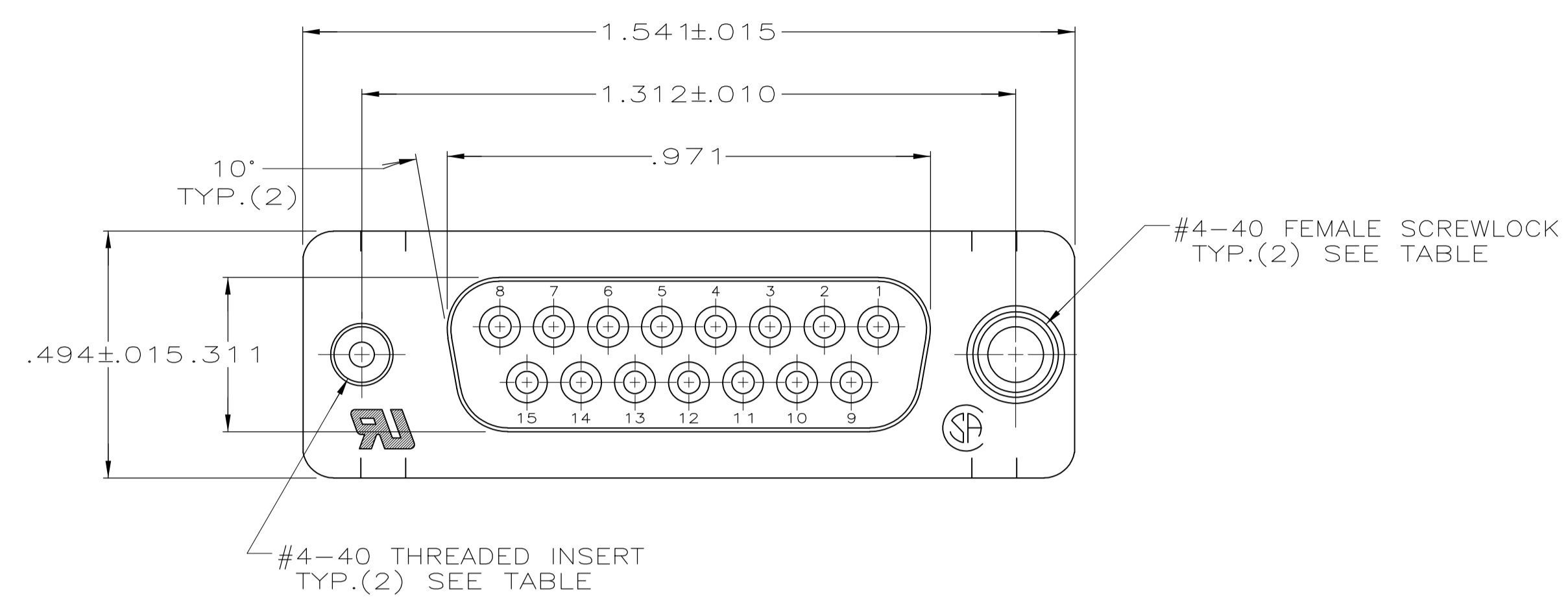
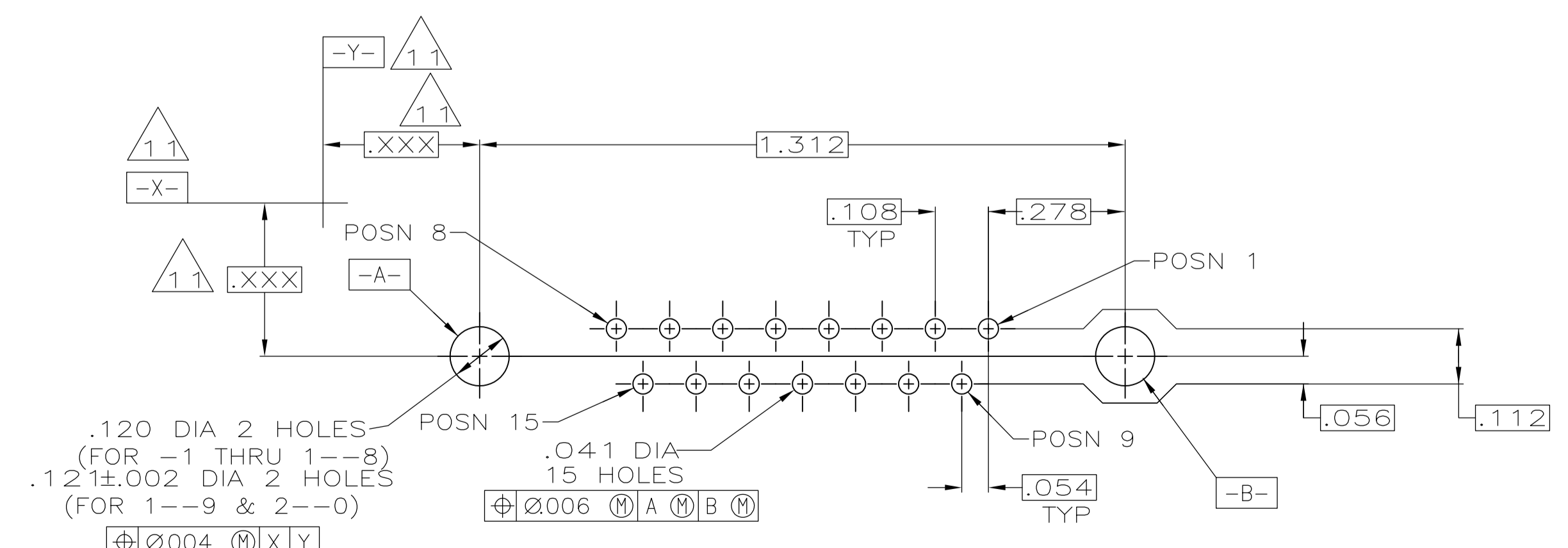


REVISIONS					
P	LTR	DESCRIPTION	DATE	DMN	APVD
L		REVISED PER ECO-16-001548	24FEB2016	AP	DG



- ① HOUSING: FLAME RETARDANT 94V-0 RATED THERMOPLASTIC; COLOR: BLACK.
- ② SHELL: CARBON STEEL.
- ③ CONTACTS: PHOS. BRONZE.
- ④ INSERTS & BOARDLOCKS: BRASS, SCREWLOCKS: ZINC.
- 5. NOTE DELETED.
- ⑥ SHELL: .000200 MIN TIN OVER .000100 MIN COPPER.
- ⑦ INSERTS: UNPLATED, SCREWLOCKS: UNPLATED, BOARDLOCKS: TIN OVER COPPER.
- ⑧ CONTACTS: GOLD FLASH FOR LENGTH OF .100 MIN FROM MATING END, .000100-.000200 BRIGHT TIN OR BRIGHT TIN LEAD ON TERMINATION END, ALL OVER .000050 NICKEL ON ENTIRE CONTACT.
- ⑨ CONTACTS: .000030 GOLD FOR LENGTH OF .100 MIN FROM MATING END, .000100-.000200 BRIGHT TIN OR BRIGHT TIN LEAD ON TERMINATION END, ALL OVER .000050 NICKEL ON ENTIRE CONTACT.
- 10. NOTE DELETED.
- ⑩ DATUMS AND BASIC DIMENSIONS ESTABLISHED BY CUSTOMER.
- ⑪ RECOMMENDED SCREWLOCK IS 5747877-3 WITH RETENTION INSERTS.
- ⑫ .110 MAX IN SHELL TAB CLINCH AREAS.



REMARKS	CONTACT FINISH	C	PART NUMBER
WITH INSERT BOARDLOCKS	⑨	.125	2-747707-0
OBSOLETE	⑧	.125	1-747707-9
OBSOLETE	⑨	.250	1-747707-8
OBSOLETE	⑧	.250	1-747707-7
OBSOLETE	⑨	.250	1-747707-7
OBSOLETE	⑧	.170	1-747707-6
OBSOLETE	⑧	.170	1-747707-5
OBSOLETE	⑨	.125	1-747707-4
OBSOLETE	⑧	.125	1-747707-3
OBSOLETE	⑨	.250	1-747707-2
OBSOLETE	⑧	.250	1-747707-1
OBSOLETE	⑨	.170	1-747707-0
OBSOLETE	⑧	.170	747707-9
OBSOLETE	⑨	.125	747707-8
OBSOLETE	⑧	.125	747707-7
OBSOLETE	⑨	.250	747707-6
OBSOLETE	⑧	.250	747707-5
OBSOLETE	⑨	.170	747707-4
OBSOLETE	⑧	.170	747707-3
OBSOLETE	⑨	.125	747707-2
OBSOLETE	⑧	.125	747707-1

PC BOARD MOUNTING DIMENSIONS
CONNECTOR SIDE OF BOARD
.062 PC BOARD THICKNESS

THIS DRAWING IS A CONTROLLED DOCUMENT.

DMN S. WELDON 2-27-85	TE Connectivity
CHK J. GFRACE 2-27-85	
APVD R. BEAR/R. BRANDT 2-27-85	
NAME	RECEPTACLE ASSEMBLY, SIZE 2, 15 POS., VERTICAL, .026 DIA. DUPLEX PLATED POSTS, FRONT SHELL, AMPLIMITE
PRODUCT SPEC	108-40025
APPLICATION SPEC	114-40023
SIZE	A1
WEIGHT	00779
DRAWING NO	747707
CUSTOMER DRAWING	SCALE NTS SHEET 1 OF 1 REV