

H

G

F

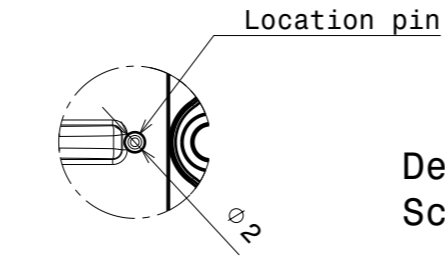
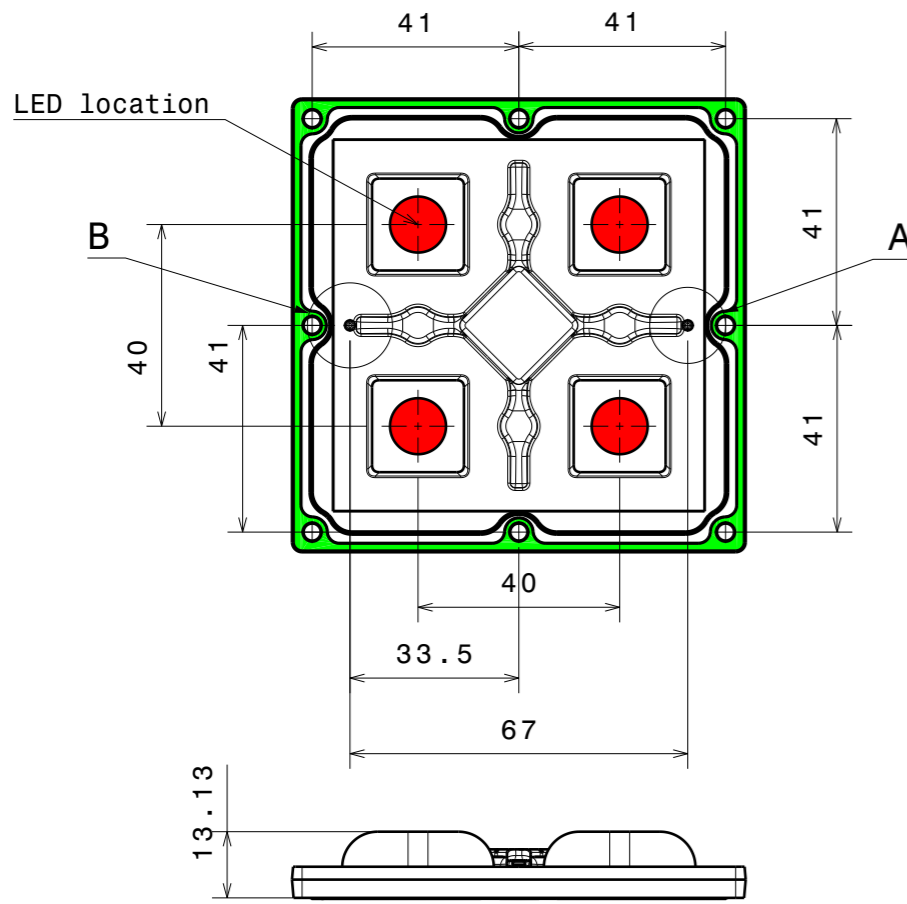
E

D

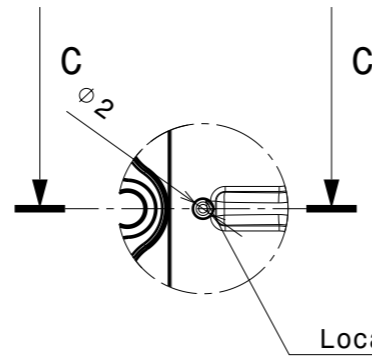
C

B

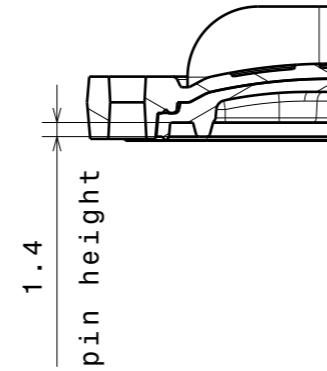
A



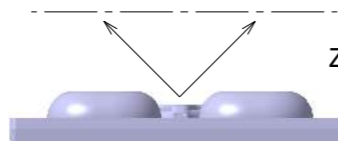
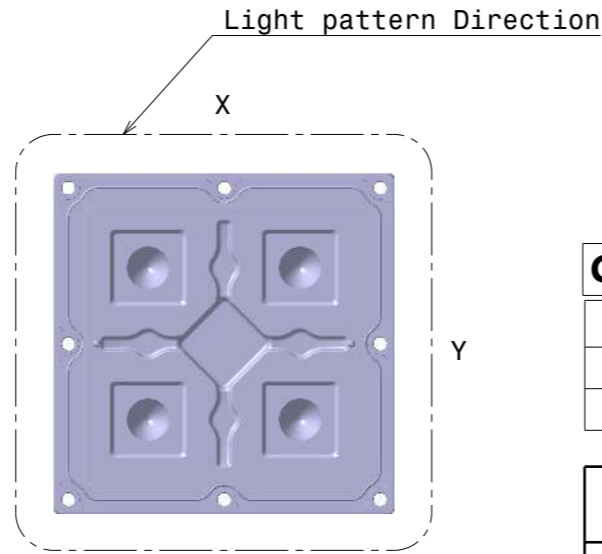
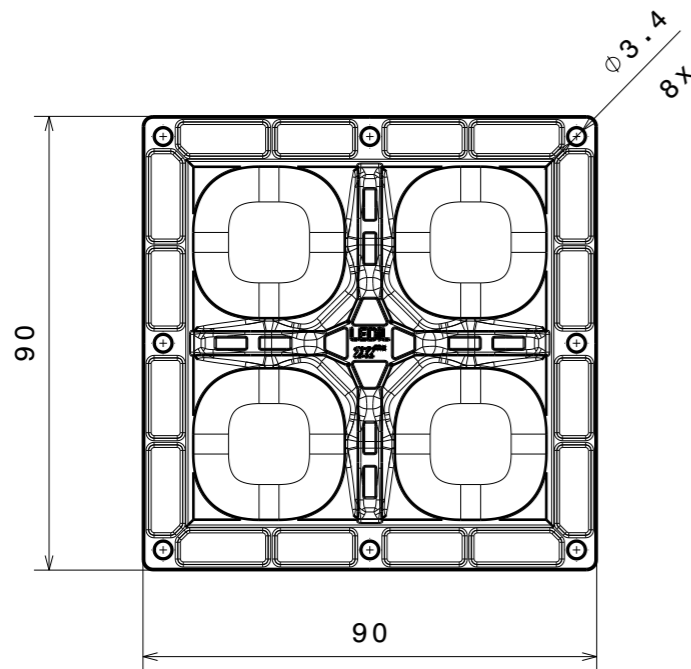
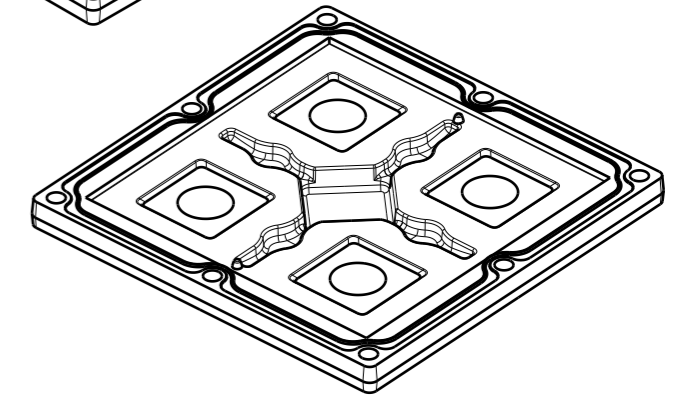
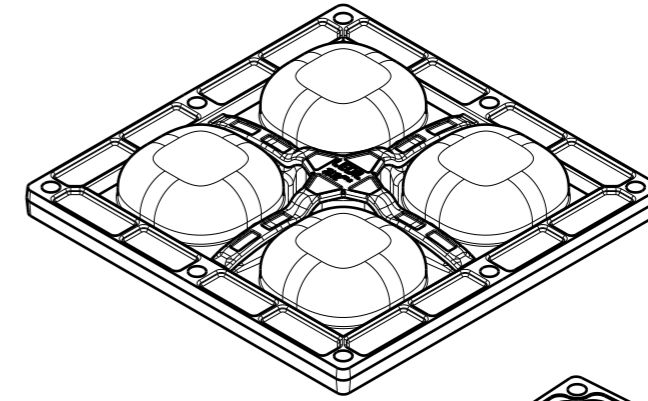
Detail A  
Scale: 4:3



Detail B  
Scale: 4:3



Section view C-C  
Scale: 4:3



**Notes**

- PCB or heat sink level
  - Led location
- Ensure LED fitting from a product specific 3D model available from [www.ledil.com](http://www.ledil.com)
- See installation details page 2.

**COMPONENTS**

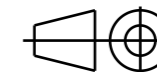
INDEX	PRODUCT	TYPE	MATERIAL	COLOUR/COATING
1	F15811_STRADA-2X2MXS-VSM	LENS	Silicone	CLEAR
2	F14813_STRADA-2X2MXS-FRAME	Frame	PA66GF30	Black

**MECHANICAL DRAWING**

PRODUCT  
FP15812\_STRADA-2X2MXS-VSM

Tolerances if not otherwise shown  
According to DIN ISO 2768-1  
Linear measures:  
Up to 30mm class M, otherwise class C.  
According to DIN ISO 2768-2  
Form and position: class L

FIRST ANGLE PROJECTION:



**LEDiL**®

This drawing is the property of LEDiL Oy. It may not be reproduced, copied or communicated without a written agreement with LEDiL Oy.

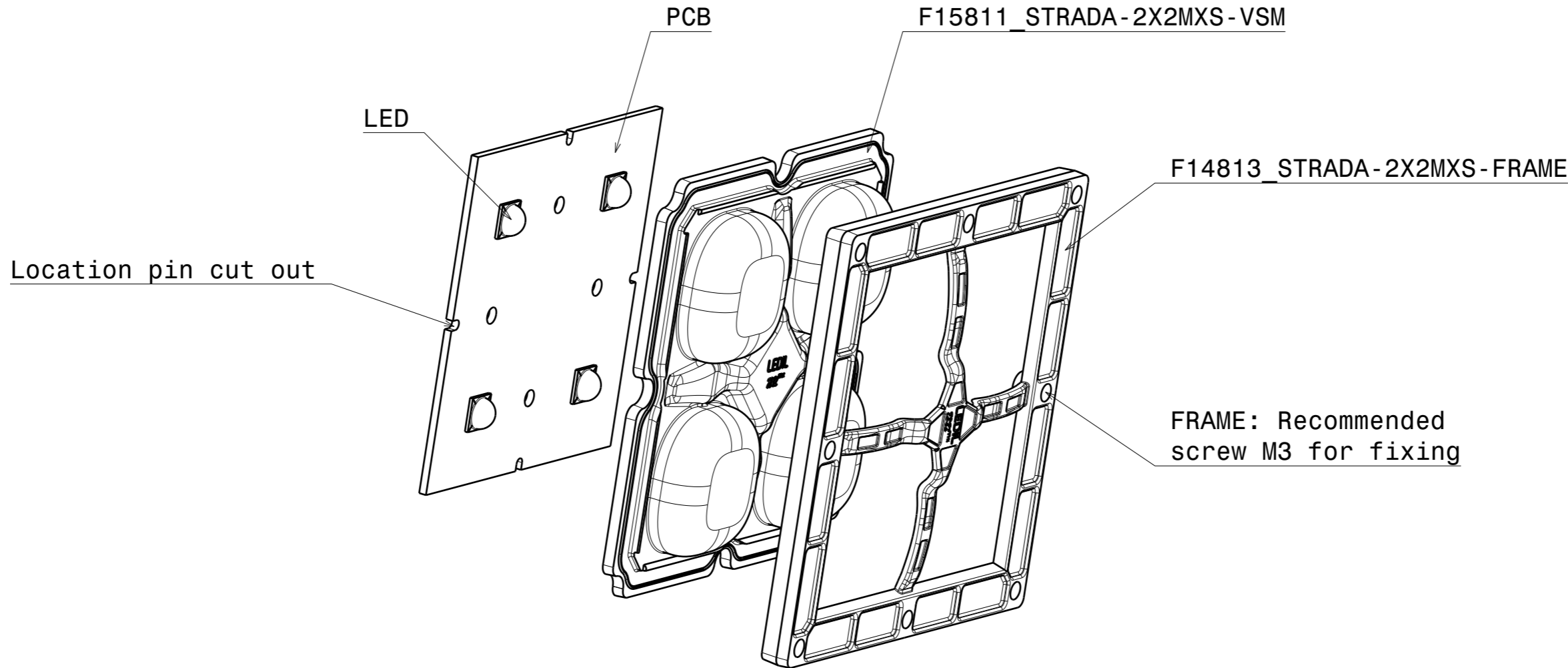
SCALE	2:3	SIZE	A3	SHEET	1/2
-------	-----	------	----	-------	-----

H

G

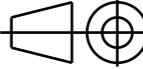
B

A



**Notes**

For more details about installation please see LEDiL Installation Guide on [www.ledil.com](http://www.ledil.com)

<b>MECHANICAL DRAWING</b>		<b>LEDiL<sup>®</sup></b>
PRODUCT FP15812_STRADA-2X2MXS-VSM		
Tolerances if not otherwise shown According to DIN ISO 2768-1 Linear measures: Up to 30mm class M, otherwise class C. According to DIN ISO 2768-2 Form and position: class L	FIRST ANGLE PROJECTION: 	This drawing is the property of LEDiL Oy. It may not be reproduced, copied or communicated without a written agreement with LEDiL Oy.
SCALE 2:1	SIZE A3	SHEET 2/2