

MINIFLEX® 5-BFN II

Robust design with hold-down feature, low profile (height = 1.0 mm), 0.5 mm pitch, horizontal, backflip



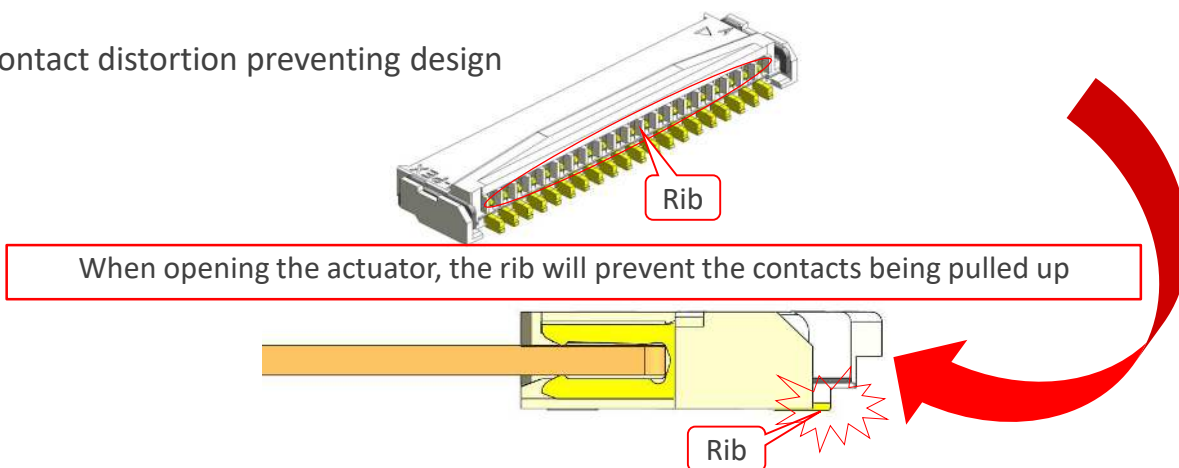
Product Specifications:		Short Actuator	Long Actuator
Board Pitch (mm)		0.5	
Wiping Length (mm)		1	
Size (mm)	Height	1.0 +/- 0.1	
	Width	Formula: 1.7+(0.5*?p)	
	Depth	Open: 3	Close: 4.0
Pin counts	Range	4-30 (even)	32-60 (even)
	Available	4, 6, 8, 10, 12, 14, 16, 18, 20, 22, 24, 26, 28, 30	32, 34, 40, 50, 54

Applicable FPC/FFC:	
FPC/FFC Contact Pitch	0.5
FPC/FFC Contact Point	Top and Bottom
FPC/FFC Thickness (mm)	0.3 +/- 0.05

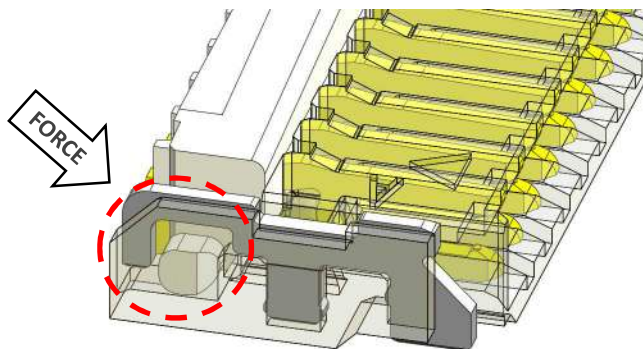
* Please inquire for pin counts not listed or outside of the pin count range.

► Designed to prevent contact distortion

Contact distortion preventing design



► Unique actuator holder design prevents actuator drop-off



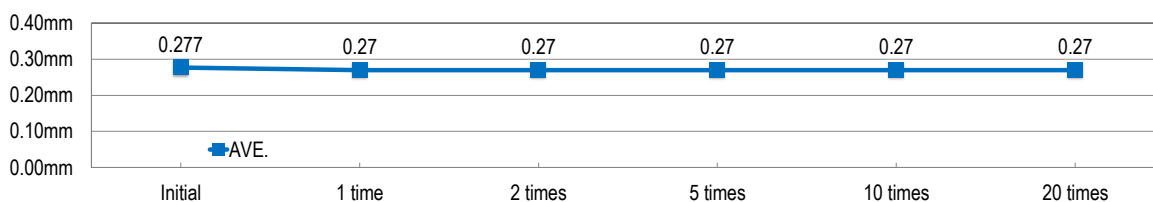
Actuator will not fall-off even at **100 N** force

- *Housing destruction occurs first
- *Force applied from 30 degrees backwards

► Usability for closing actuator without FPC

The connector will still function even if the actuator is accidentally closed without the FPC being inserted after the SMT process

- Connector will still function reliably (contact gap graph 22 pins before and after operating actuator without FPC inserted)

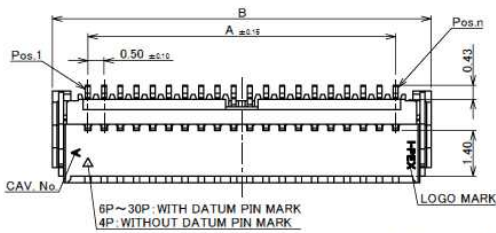


- Insertion force of connector goes up
- Retention force of connector does not change significantly

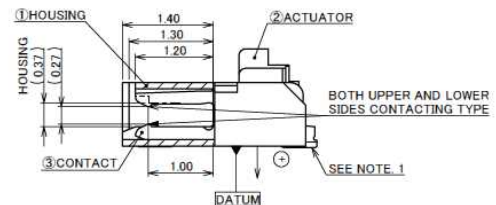
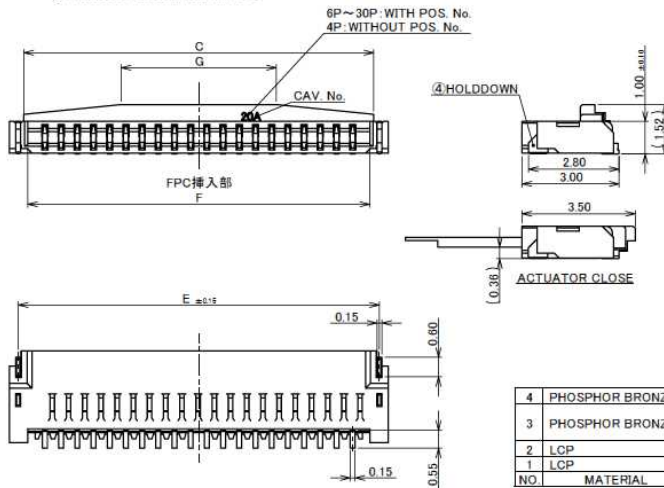
Component Parts Details

Connector Assembly

Recommended P/N 20542-0**E-01



PART No.	POS	A	B	C	D	E	F	G
20542-004E-01	4	1.50	3.70	2.80	2.50	3.15	2.56	1.80
20542-006E-01	6	2.50	4.70	3.80	3.50	4.15	3.56	2.80
20542-008E-01	8	3.50	5.70	4.80	4.50	5.15	4.56	3.80
20542-010E-01	10	4.50	6.70	5.80	5.50	6.15	5.56	4.80
20542-012E-01	12	5.50	7.70	6.80	6.50	7.15	6.56	5.80
20542-014E-01	14	6.50	8.70	7.80	7.50	8.15	7.56	6.80
20542-016E-01	16	7.50	9.70	8.80	8.50	9.15	8.56	7.80
20542-018E-01	18	8.50	10.70	9.80	9.50	10.15	9.56	8.80
20542-020E-01	20	9.50	11.70	10.80	10.50	11.15	10.56	9.80
20542-022E-01	22	10.50	12.70	11.80	11.50	12.15	11.56	10.80
20542-024E-01	24	11.50	13.70	12.80	12.50	13.15	12.56	11.80
20542-026E-01	26	12.50	14.70	13.80	13.50	14.15	13.56	12.80
20542-028E-01	28	13.50	15.70	14.80	14.50	15.15	14.56	13.80
20542-030E-01	30	14.50	16.70	15.80	15.50	16.15	15.56	14.80

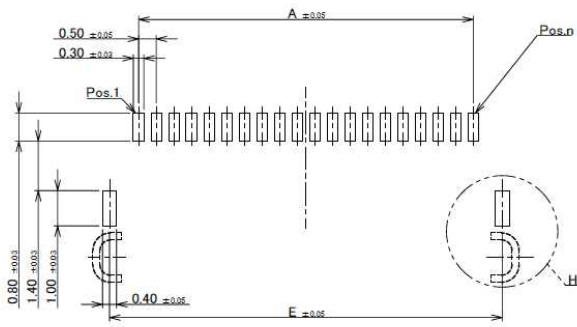


4	PHOSPHOR BRONZE	HOLD DOWN	Sn 2~6 μm MIN. OVER Ni 1.00 μm MIN.
3	PHOSPHOR BRONZE	CONTACT	CONTACT AREA : Au 0.1 μm MIN. OVER Ni 1.0 μm MIN. SOLDERING AREA : Au 0.03 μm MIN. OVER Ni 1.0 μm MIN.
2	LCP	ACTUATOR	UL94V-0, BEIGE
1	LCP	HOUSING	UL94V-0, BEIGE
NO.	MATERIAL	DISCRIPTION	FINISH ,REMARKS

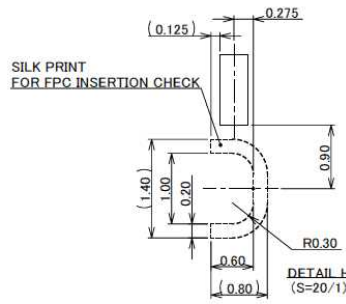
CAUTION VISIT OUR WEBSITE FOR LATEST VERSIONS OF INSTRUCTION MANUAL NO. HIM-12019 TO HANDLE THE PRODUCT PROPERLY AND SAFELY.

NOTES
1. CONTACT TAIL IS PROJECTION FROM HOUSING IN THE + DIRECTION. (0~0.06)

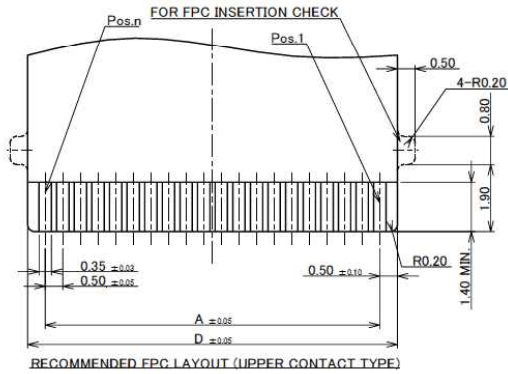
Connector Assembly



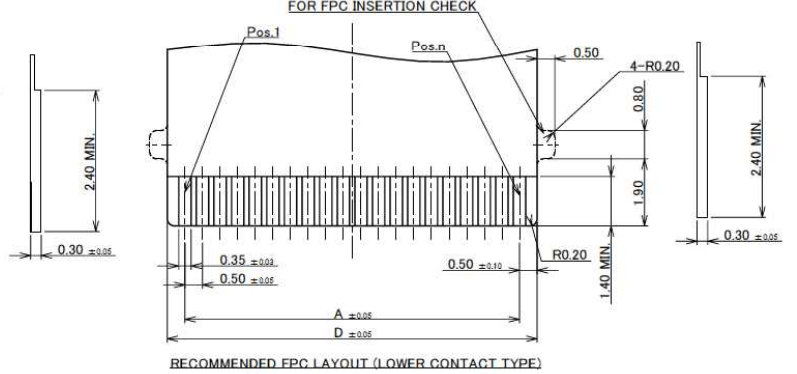
RECOMMENDED PCB LAYOUT & METAL MASK LAYOUT
METAL MASK THICKNESS : t=0.12mm



PART No.	POS.	A	D	E
20542-004E-01	4	1.50	2.50	3.15
20542-006E-01	6	2.50	3.50	4.15
20542-008E-01	8	3.50	4.50	5.15
20542-010E-01	10	4.50	5.50	6.15
20542-012E-01	12	5.50	6.50	7.15
20542-014E-01	14	6.50	7.50	8.15
20542-016E-01	16	7.50	8.50	9.15
20542-018E-01	18	8.50	9.50	10.15
20542-020E-01	20	9.50	10.50	11.15
20542-022E-01	22	10.50	11.50	12.15
20542-024E-01	24	11.50	12.50	13.15
20542-026E-01	26	12.50	13.50	14.15
20542-028E-01	28	13.50	14.50	15.15
20542-030E-01	30	14.50	15.50	16.15



RECOMMENDED FPC LAYOUT (UPPER CONTACT TYPE)

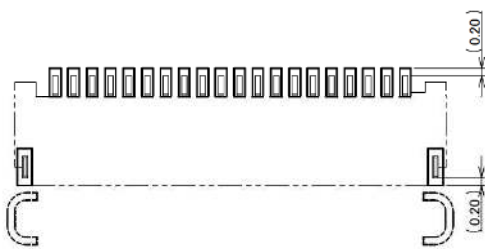


RECOMMENDED FPC LAYOUT (LOWER CONTACT TYPE)

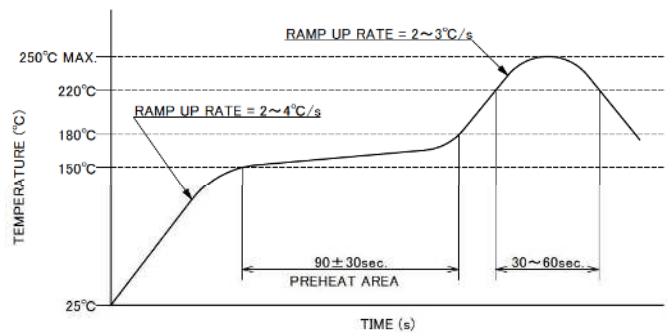
- NOTES
2.MATERIAL
COVER FILM : PI
CONDUCTOR : COPPER(RARE)
BASE FILM : PI
STIFFENER : PI
ADHESIVE : THERMOSETTING ADHESIVE
3.FINISH
Au OVER Ni PLATING.

Rev.8

Plug Housing Assembly



CONNECTOR ON RECOMMENDED FOOTPRINT PATTERN



REFLOW TEMPERATURE PROFILE
SENJU METAL INDUSTRY CO., LTD. : M705-SHF(Sn96.5 Ag3.0 Cu0.5)

Rev.8

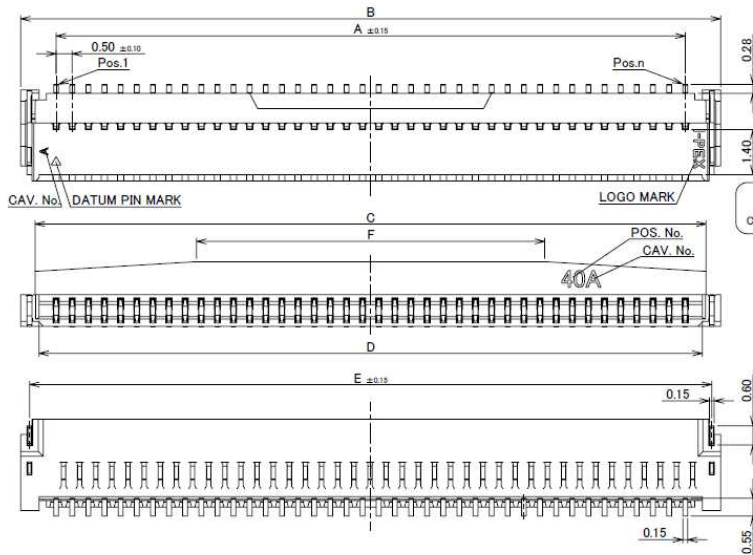
Connector Assembly

ITEMS	SPECIFICATION
RATING VOLTAGE	50V AC (PER CONTACT)
RATING AMPERAGE	0.5A DC (PER CONTACT) 7.0A DC (PER CONNECTOR)
OPERATING TEMPERATURE	233~398K(-40°C~125°C)
OPERATING HUMIDITY	80% MAX.(NON-CONDENSING)
CONTACT RESISTANCE	INITIAL : 40mohm MAX. / AFTER TEST : $\sphericalangle 20\text{mohm MAX.}$
INSULATION RESISTANCE	100Mohm MIN.
DIELECTRIC WITHSTANDING VOLTAGE	AC200V 1min
DURABILITY	20TH CYCLES
ACTUATOR LOCKING FORCE (INITIAL / 20TH CYCLES)	INITIAL / 20TH CYCLES : $0.6\text{N}(61\text{gf}) \times n$ MAX.
ACTUATOR UNLOCKING FORCE (INITIAL / 20TH CYCLES)	INITIAL / 20TH CYCLES : $0.05\text{N}(5\text{gf}) \times n$ MIN.
FPC RETENTION FORCE (INITIAL / AFTER TEST)	INITIAL / AFTER TEST : $0.15\text{N}(15\text{gf}) \times n$ MIN.
COPLANARITY	0.08 MAX.
PRODUCT SPECIFICATION	PRS-1619
TEST REPORT	TR-12124
PACKING STANDARD	300-963
INSTRUCTION MANUAL	HIM-12019
APPEARANCE CRITERIA No.	QLS-A***

※ "n" IS THE NUMBER OF PIN

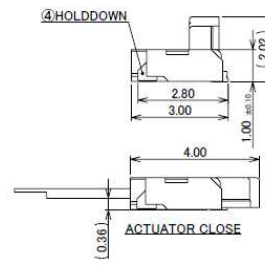
Rev.8

Recommended P/N 20586-0**E-01

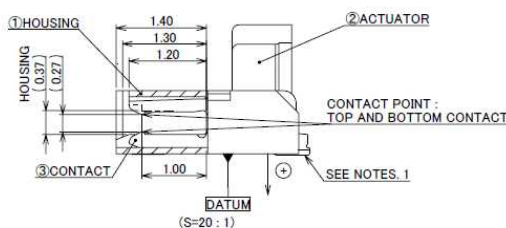


PART No.	POS.	A	B	C	D	E	F
20586-032E-01	32	15.50	17.70	16.80	16.56	17.15	10.80
20586-034E-01	34	16.50	18.70	17.80	17.56	18.15	11.80
◆20586-036E-01	36	17.50	19.70	18.80	18.56	19.15	8.80
20586-040E-01	40	19.50	21.70	20.80	20.56	21.15	10.80
◆20586-044E-01	44	21.50	23.70	22.80	22.56	23.15	12.80
◆20586-048E-01	48	23.50	25.70	24.80	24.56	25.15	9.80
20586-050E-01	50	24.50	26.70	25.80	25.56	26.15	10.80
20586-054E-01	54	26.50	28.70	27.80	27.56	28.15	12.80
◆20586-060E-01	60	29.50	31.70	30.80	30.56	31.15	15.80

CAUTION VISIT OUR WEBSITE FOR LATEST VERSIONS OF INSTRUCTION MANUAL NO. HIM-12019 TO HANDLE THE PRODUCT PROPERLY AND SAFELY.



HF Halogen Free RoHS Compliant

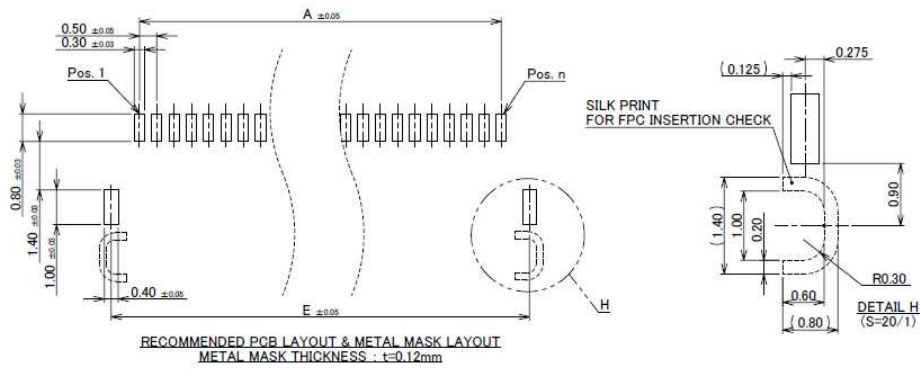


NO.	DISCRIPTION	MATERIAL	FINISH, REMARKS
4	HOLD DOWN	PHOSPHOR BRONZE	Sn 2~6 μm MIN.OVER Ni 1.00 μm MIN.
3	CONTACT	PHOSPHOR BRONZE	CONTACT AREA : Au 0.1 μm MIN. OVER Ni 1.0 μm MIN. SOLDERING AREA : Au 0.03 μm MIN. OVER Ni 1.0 μm MIN.
2	ACTUATOR	LCP	UL94V-0, BEIGE
1	HOUSING	LCP	UL94V-0, BEIGE

NOTES
1. CONTACT TAIL IS PROJECTION FROM HOUSING IN THE + DIRECTION. (0~0.06)

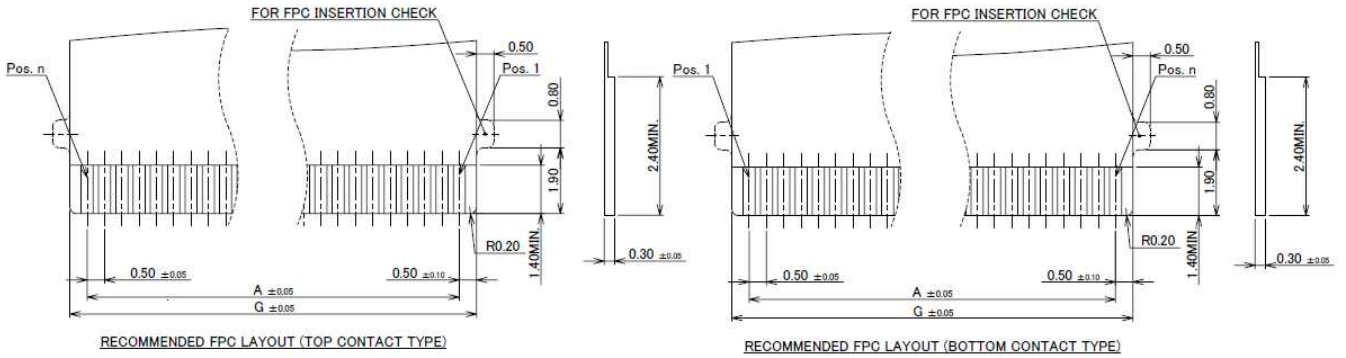
Rev.8

Connector Assembly



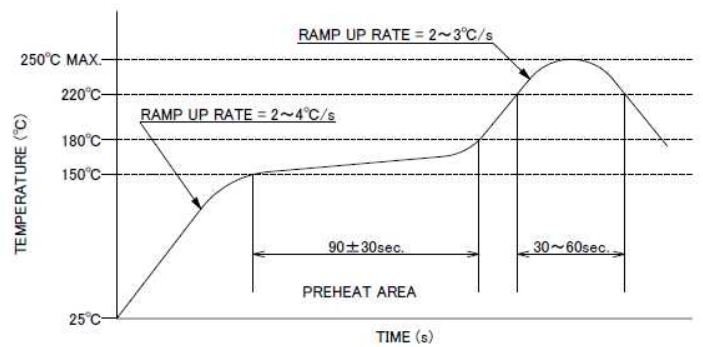
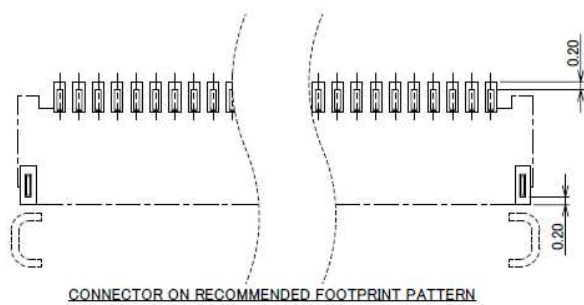
PART No.	POS.	A	E	G
20586-032E-01	32	15.50	17.15	16.50
20586-034E-01	34	16.50	18.15	17.50
◆20586-036E-01	36	17.50	19.15	18.50
20586-040E-01	40	19.50	21.15	20.50
◆20586-044E-01	44	21.50	23.15	22.50
◆20586-048E-01	48	23.50	25.15	24.50
20586-050E-01	50	24.50	26.15	25.50
20586-054E-01	54	26.50	28.15	27.50
◆20586-060E-01	60	29.50	31.15	30.50

◆MARK MEANS NOT AVAILABLE



- NOTES
2.MATERIAL
COVER FILM : PI
CONDUCTOR : COPPER(RARE)
BASE FILM : PI
STIFFENER : PI
ADHESIVE : THERMOSETTING ADHESIVE
3.FINISH
Au OVER Ni PLATING.

Rev.8



Connector Assembly

ITEMS	SPECIFICATION
RATING VOLTAGE	50V AC (PER CONTACT PIN)
RATING AMPERAGE	0.5A DC (PER CONTACT PIN) 7.0A DC (PER CONNECTOR)
OPERATING TEMPERATURE	233~398K(-40°C~125°C)
OPERATING HUMIDITY	80% MAX.(NON-CONDENSING)
CONTACT RESISTANCE	INITIAL : 40mohm MAX. / AFTER TEST : ≤ 20 mohm MAX.
INSULATION RESISTANCE	100Mohm MIN.
DIELECTRIC WITHSTANDING VOLTAGE	AC200V 1min
DURABILITY	20TH CYCLES
ACTUATOR LOCKING FORCE (INITIAL / 20TH CYCLES)	INITIAL / 20TH CYCLES : $0.43N (44gf) \times n$ MAX.
ACTUATOR UNLOCKING FORCE (INITIAL / 20TH CYCLES)	INITIAL / 20TH CYCLES : $0.025N (2.5gf) \times n$ MIN.
FPC RETENTION FORCE (INITIAL / AFTER TEST)	INITIAL / AFTER TEST : $0.15N (15gf) \times n$ MIN.
COPLANARITY	0.08 MAX.
PRODUCT SPECIFICATION	PRS-2056
TEST REPORT	TR-15070
PACKING STANDARD	PST-13064
INSTRUCTION MANUAL	HIM-12019
APPEARANCE CRITERIA No.	QLS-A***

※ "n" IS THE NUMBER OF PIN

Rev.8

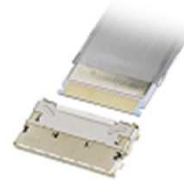
Board to Board



High-Density



Autolocking FPC/FFC



High-Density



FPC/FFC



Micro-Coaxial / Discrete Cable



High-Speed



RF



High-Frequency



Optical Module



High-Speed



Effector



Power



High-Power



I/O (Input/Output)



Quick charge



Inquiry



Custom Connectors Available



I-PEX, MHF, CABLINE, NOVASTACK, EVAFFLEX, MINIFLEX, ISH, IARPB, IASLP, ESTORQ, ISFIT, i-Fit and ZenShield are registered trademarks of I-PEX Inc. Please note that the contents in the catalog might be changed without prior notification. I-PEX Inc. assumes no responsibility for any inaccuracies or obligation to update information on these documents. Please be sure to read and understand the latest "Precautions for Use" and "Instruction Manual" before you use our products. We shall not be responsible for any defects, damages or troubles in case you use our products without following the precautions for use. Please feel free to contact our sales representatives when you use our products for any applications that require very high reliability and safety, or that relate to human life (ex. nuclear power control, aerospace, transportation, medical equipment, safety equipment etc.).

Contact your sales representative or more detailed information.

www.i-pex.com



I-PEX

© I-PEX Inc. 2022
All rights reserved.