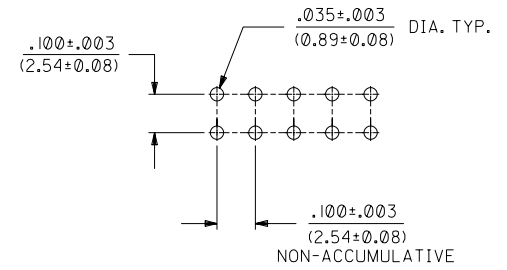


- NOTES:
- 1 - HOUSING MATERIAL: GLASS FILLED POLYESTER, UL 94V-0. COLOR: BLACK
 - 2 - TERMINAL MATERIAL: PHOSPHOR BRONZE
 - 3 - SEE ADDITIONAL SHEETS FOR CHARTS, PLATINGS, AND OVERALL DIMENSIONS
 - 4 - THIS PRODUCT CONFORMS TO PS-70181.

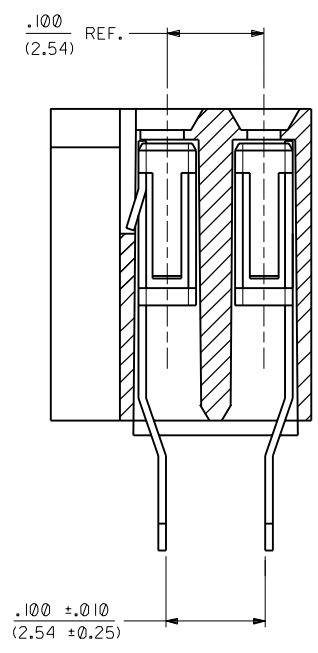
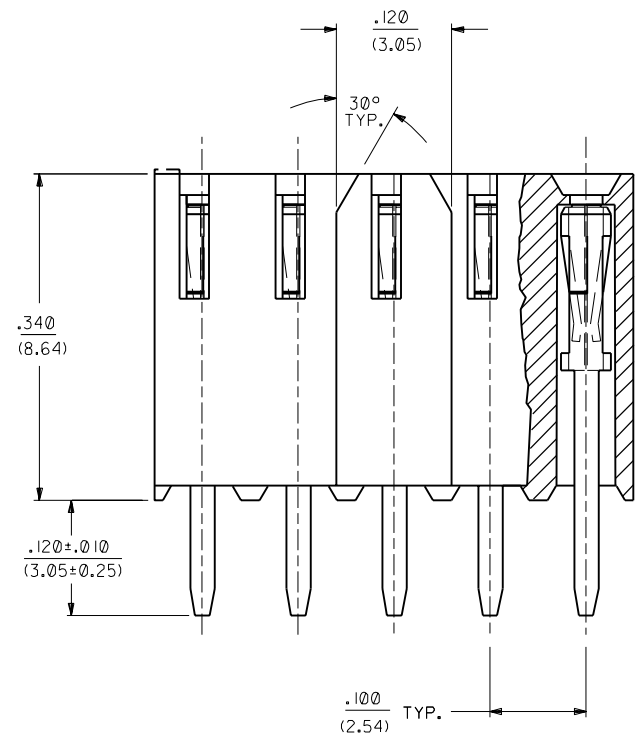
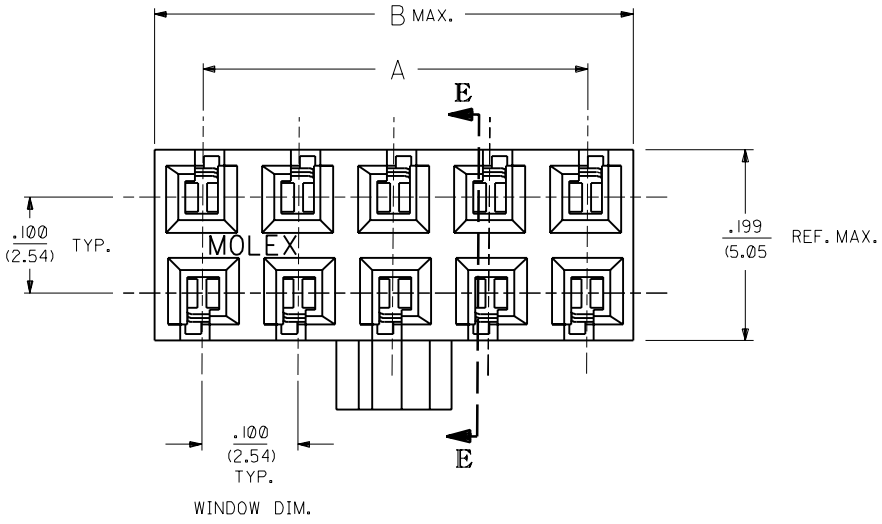


RECOMMENDED P.C. BOARD HOLE LAYOUT
SCALE = 4:1

C	LEAD FREE UCP2004-1770 RWWHITE 04/04/28
B	CHANGE PACK SPEC ECN# UDT2000-0503 DMORGAN 99/12/09
A	REVISE PLATE & BOX PER U3 0572 09/10/93 MURPHY

MFG.	SH.	REV.	LTR.	REVISIONS
3	C			
2	A			
1	C			

DIMENSIONS SHOWN (METRIC) INCH UNLESS OTHERWISE SPECIFIED TOLERANCES: ANGULAR ± 1/2°		▽ = 0 ▼ = 0		REVISE ONLY ON CAD SYSTEM													
<table border="1"> <tr> <th></th> <th>INCH</th> <th>METRIC</th> </tr> <tr> <td>3 PLACE</td> <td>± .010</td> <td>---</td> </tr> <tr> <td>2 PLACE</td> <td>± .014</td> <td>± 0.25</td> </tr> <tr> <td>1 PLACE</td> <td>---</td> <td>± 0.35</td> </tr> </table>			INCH	METRIC	3 PLACE	± .010	---	2 PLACE	± .014	± 0.25	1 PLACE	---	± 0.35	TITLE CONNECTOR VERT MOUNT DUAL ROW (TOP ENTRY) .100 X .10 P.C TAIL GRID		SHEET NO. U.S.A. 1 OF 3	
	INCH	METRIC															
3 PLACE	± .010	---															
2 PLACE	± .014	± 0.25															
1 PLACE	---	± 0.35															
DRAFT WHERE APPLICABLE MUST REMAIN WITHIN DIMENSIONS		MOLEX INCORPORATED LISLE, ILL. 60532		DATE U.S.A. 09/10/93													
DRWG. NO. SDA-70192-***		PART NO. SDA-70192-1		DRWG. NO. SDA-70192-1													
DRWG. BY PM		CHK'D. BY PM		FILE NAME SA70192X1.DGN													
APP'D. BY PM		SCALE 10:1		THIS DRAWING CONTAINS INFORMATION THAT IS PROPRIETARY TO MOLEX INC. AND SHOULD NOT BE USED WITHOUT WRITTEN PERMISSION													



NOTES:
1 - SEE SHEET I FOR APPLICABLE NOTES.

SINGAPORE ONLY
OPTION -F-
WITH POLARIZING KEY

A SEE SHEET I

DIMENSIONS SHOWN (METRIC) INCH		▽ = 0 ▼ = 0		REVISE ONLY ON CAD SYSTEM	
UNLESS OTHERWISE SPECIFIED TOLERANCES ANGULAR ± 1/2°		TITLE			
3 PLACE ±		CONNECTOR, VERT. MOUNT, DUAL ROW			
2 PLACE ±		(TOP ENTRY) .100 X .100			
1 PLACE ±		P.C. TAIL GRID			
DRAFT WHERE APPLICABLE MUST REMAIN WITHIN DIMENSIONS		MOLEX INCORPORATED		SHEET NO. DATE	
		L15LEJLL 69532		U.S.A. 2 07/17/90	
DRAWN BY: PM		CHK'D BY: PM		PART NO. DRWG. NO.	
APP'D BY: PM		SCALE: :		SEE CHART SDA-70192-0000	
		FILE NAME: SA70192X2.DWG		THIS DRAWING CONTAINS INFORMATION THAT IS PROPRIETARY TO MOLEX INC. AND SHOULD NOT BE USED WITHOUT WRITTEN PERMISSION.	

