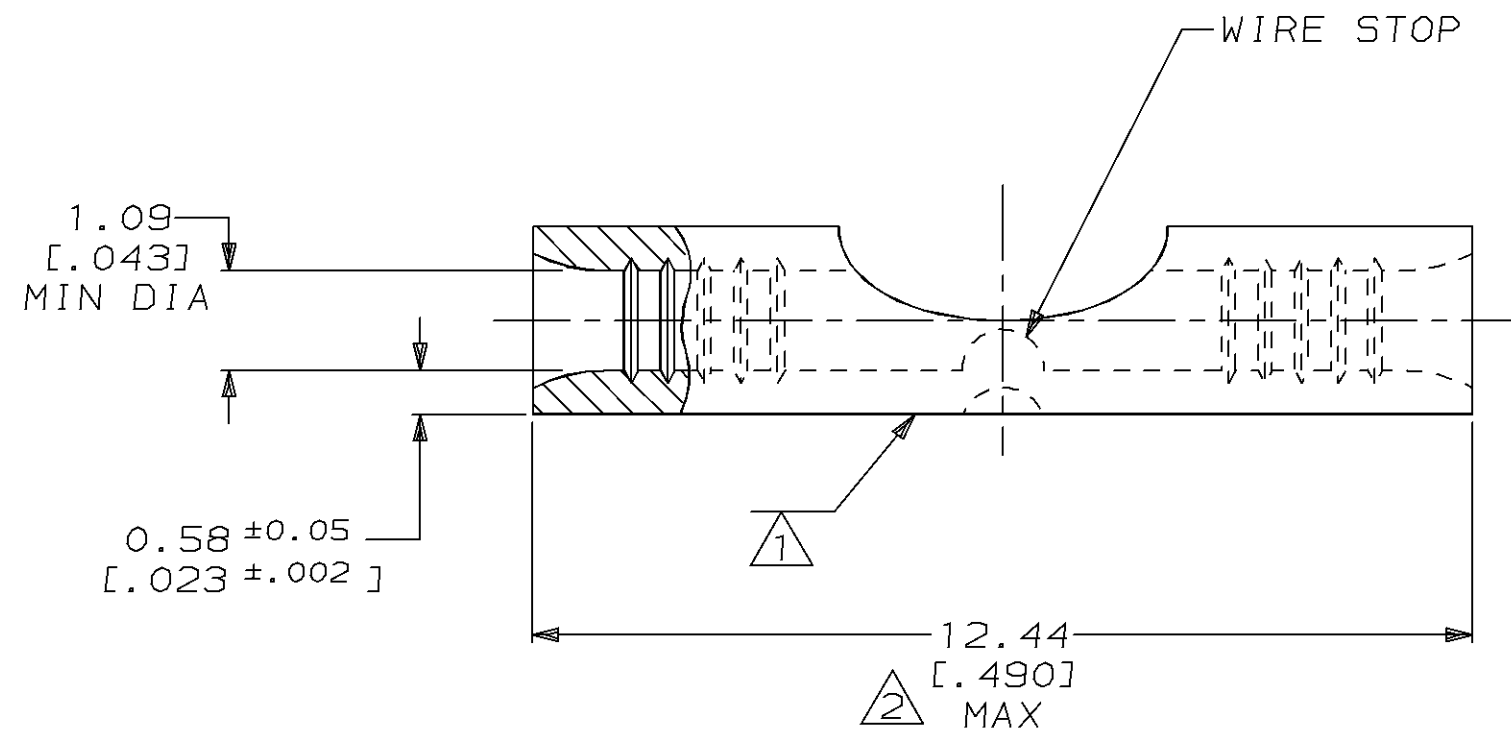
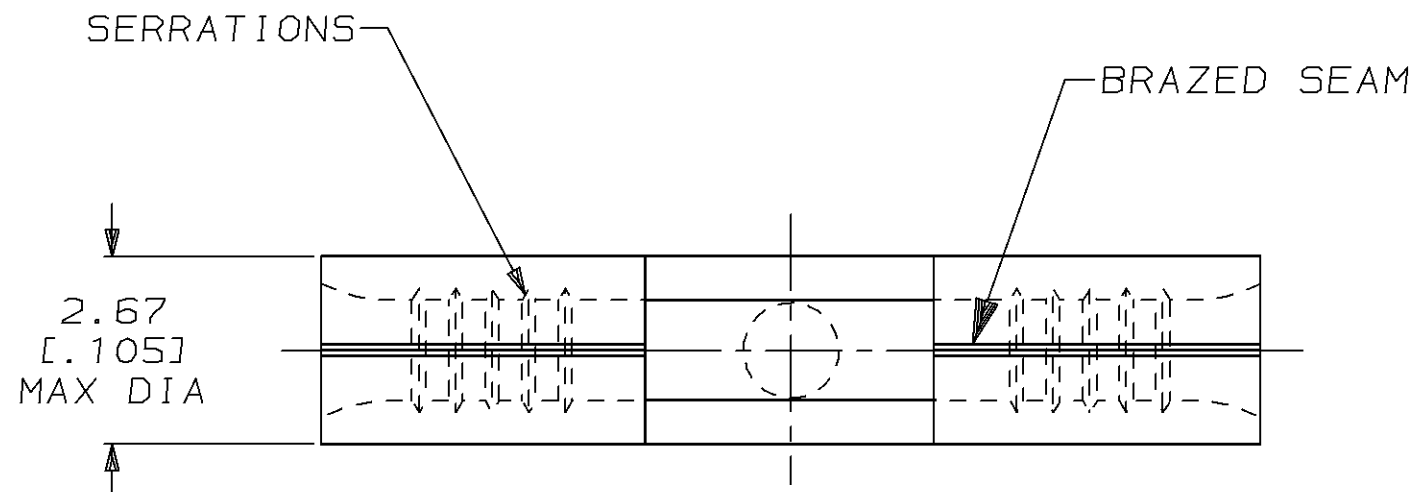


THIS DRAWING IS UNPUBLISHED. RELEASED FOR PUBLICATION ,19 .
 © COPYRIGHT 19 BY AMP INCORPORATED. ALL INTERNATIONAL RIGHTS RESERVED.

LOC	DIST	P	F	ZONE	LTR	DESCRIPTION	DATE	APPD
G	14				B	REVISED & REDRAWN PER 0720-0044-94	4/29/94	DKS DAP

METRIC
 DIMENSIONS LISTED IN mm [INCHES]



AMP WIRE RANGE	UL E13288 Listed
24-20 AWG SOLID OR STRANDED	NOT LISTED
SR LR7189 Certified	MILITARY P/N AND CLASS
NOT CERTIFIED	NOT APPLICABLE

- ① STAMP AMP APPROX AS SHOWN
- ② MAXIMUM LENGTH DOES NOT INCLUDE MANUFACTURING TABS
- ③ GOLD PLATE 0.00127[.000050] MIN THK PER MIL-G-45204 OVER NICKEL PLATE 0.00762[.000030] MIN THK PER QQ-N-290

AMP INCORPORATED CUSTOMER SERVICE SYSTEMS		MAX RECOMMENDED OPERATING TEMPERATURE: 170°C MAX	DO NOT SCALE PRINT. UNLESS SPECIFIED DIMENSIONS IN mm [INCHES] TOLERANCES ON: 2 PLC DEC ± - 3 PLC DEC ± - ANGLES ± -	DR 4/29/94 DK SCHRUM CHK 5/5/94 DA PATTERSON APPD 5/5/94 CH KULYNYCH APPD 5/5/94 JL MECKLEY PRODUCT SPEC - APPLICATION SPEC - WEIGHT -	- LOOSE PIECE, BOX 328588
FOR ADDITIONAL PRODUCT INFORMATION OR COPIES OF DRAWINGS AND TECHNICAL DOCUMENTS	PRODUCT INFORMATION CENTER 1-800-522-6752	VOLTAGE RATING: NOT APPLICABLE	MATERIAL COPPER PER ASTM B-152 ANNEALED	FINISH ③	QTY -
FOR APPLICATION TOOLING INFORMATION	TOOLING ASSISTANCE CENTER 1-800-722-1111	WIRE CROSS SECTIONAL AREA RANGE: 0.16-0.65mm ² [320-1,290] CIR MILS SOLID OR STRANDED			PACKAGE TYPE -
FOR ORDER ENTRY	1-800-526-5142	THIS DRAWING IS A CONTROLLED DOCUMENT FOR AMP INCORPORATED. IT IS SUBJECT TO CHANGE AND THE CONTROLLING ENGINEERING ORGANIZATION SHOULD BE CONTACTED FOR THE LATEST REVISION.			PART NO 328588
AMP INCORPORATED CUSTOMER SERVICE SYSTEMS			AMP Incorporated Harrisburg, PA 17105-3608		NAME SPLICE, BUTT, STRAP, SOLISTRAND™
AMP 1471-6 REV 3-92			SCALE 10:1		DRAWING NO G=328588
29-APR-94 14:54:58 amp26463 /files/dept1123/dwg1123/u.solistrand/u.butt-splice			SHEET 1 OF 1		CUSTOMER DRAWING