

# SACC-CI-M12FST-4P SMD T - Contact carrier



1411918

<https://www.phoenixcontact.com/us/products/1411918>

Please be informed that the data shown in this PDF document is generated from our online catalog. Please find the complete data in the user documentation. Our general terms of use for downloads are valid.



Contact carrier, Power, 4-position, Socket, straight, M12, coding: T, PCB mounting, SMD

## Your advantages

- For compact devices: transmit high power in a confined space
- Reduced mounting costs thanks to two-piece device connector
- Packaging available for automated pick and place assembly
- All common pin assignments and codings available
- Easy device integration thanks to mechanical port screw connections with threaded attachment, press-in contour or direct integration in the front plate

## Commercial data

Item number	1411918
Packing unit	1 pc
Minimum order quantity	60 pc
Sales key	AB27
Product key	ABQBGU
GTIN	4046356989305
Weight per piece (including packing)	3.616 g
Weight per piece (excluding packing)	3.616 g
Customs tariff number	85366990
Country of origin	DE

## Technical data

### Notes

General	The electrical and mechanical data specified assume that the connector pair is correctly locked and mounted. If the connector is unlocked and if there is a danger of contamination, the connector must be sealed using a protective cap > IP54. Influences arising from litz wires, cables or PCB assembly must also be taken into consideration.
---------	--

### Product properties

Product type	Contact insert
Sensor type	Power
Number of positions	4
Application	Power
Seal present	no
Shielded	no
Coding	T
Thread type	M12

### Insulation characteristics

Overvoltage category	III
Degree of pollution	3

### Electrical properties

Rated surge voltage	1.5 kV
Contact resistance	≤ 3 mΩ
Insulation resistance	≥ 100 MΩ
Nominal voltage $U_N$	63 V
Nominal current $I_N$	12 A

### Interfaces

Signal type/category	Power
----------------------	-------

### Material specifications

Flammability rating according to UL 94	V0
Contact material	CuZn
Contact surface material	Au
Contact carrier material	PA

### Connector

#### Connection 1

Head design	Socket
Head cable outlet	straight
Head thread type	M12

# SACC-CI-M12FST-4P SMD T - Contact carrier



1411918

<https://www.phoenixcontact.com/us/products/1411918>

Coding	T
--------	---

## Cable/line

Signal type/category	Power
----------------------	-------

## Mechanical properties

### Mechanical data

Insertion/withdrawal cycles	> 100
-----------------------------	-------

## Environmental and real-life conditions

### Ambient conditions

Degree of protection (when plugged in)	IP67 (correctly plugged in and locked)
Degree of protection	IP67 (correctly plugged in and locked) IP67, when plugged in
Ambient temperature (operation)	-25 °C ... 105 °C (Plug / socket) -55 °C ... 105 °C (without mechanical actuation)

## Standards and regulations

### M12

Standard designation	M12 connector
Standards/specifications	IEC 61076-2-111
Note	In line with

## Mounting

Mounting type	PCB mounting
Connection method	SMD

## Packaging specifications

Type of packaging	Tray
-------------------	------

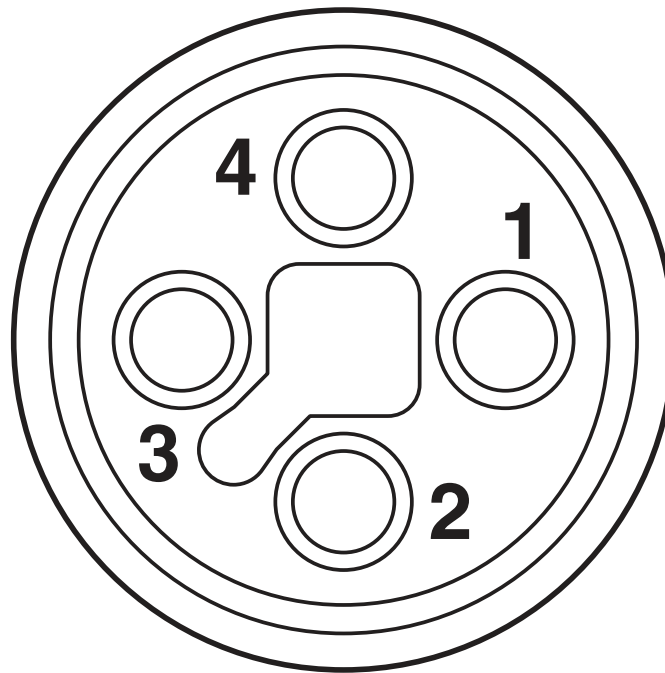
# SACC-CI-M12FST-4P SMD T - Contact carrier

1411918

<https://www.phoenixcontact.com/us/products/1411918>

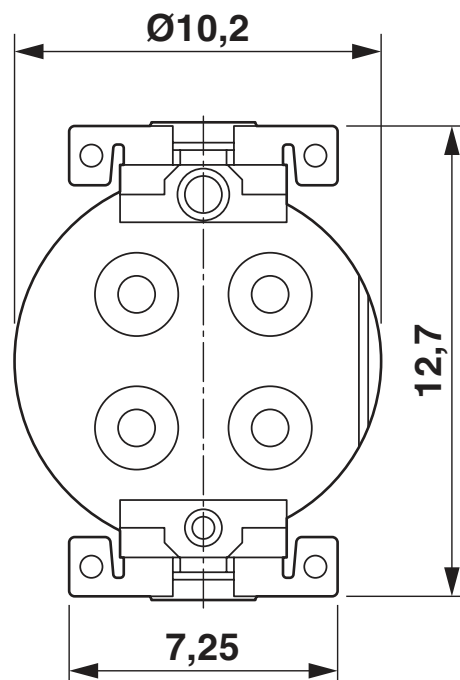
## Drawings

Schematic diagram



Pin assignment of M12 socket, 4-pos., T-coded, socket side view

Dimensional drawing



View of solder side

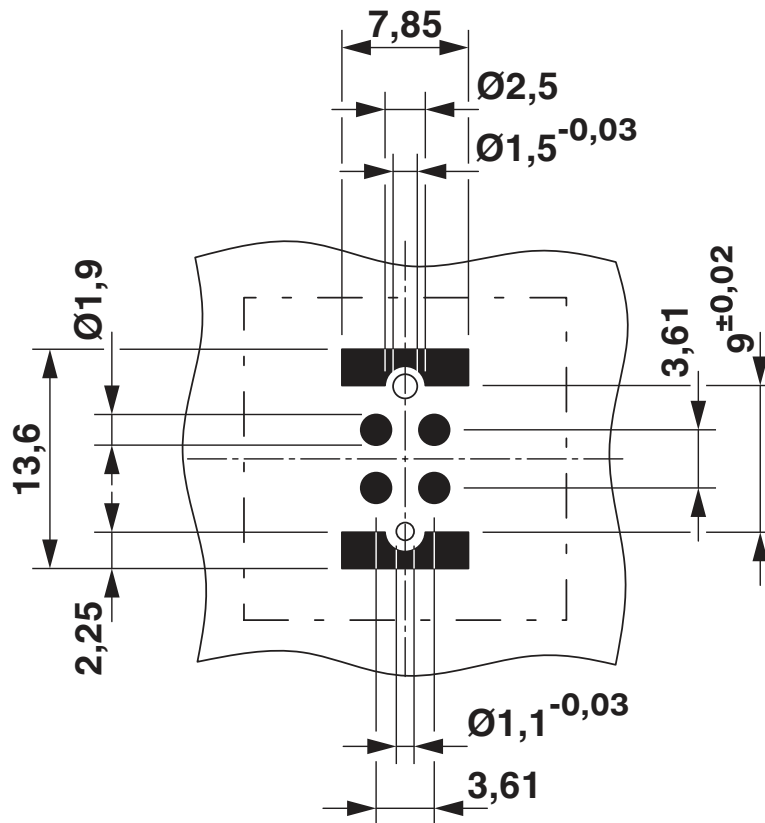
# SACC-CI-M12FST-4P SMD T - Contact carrier



1411918

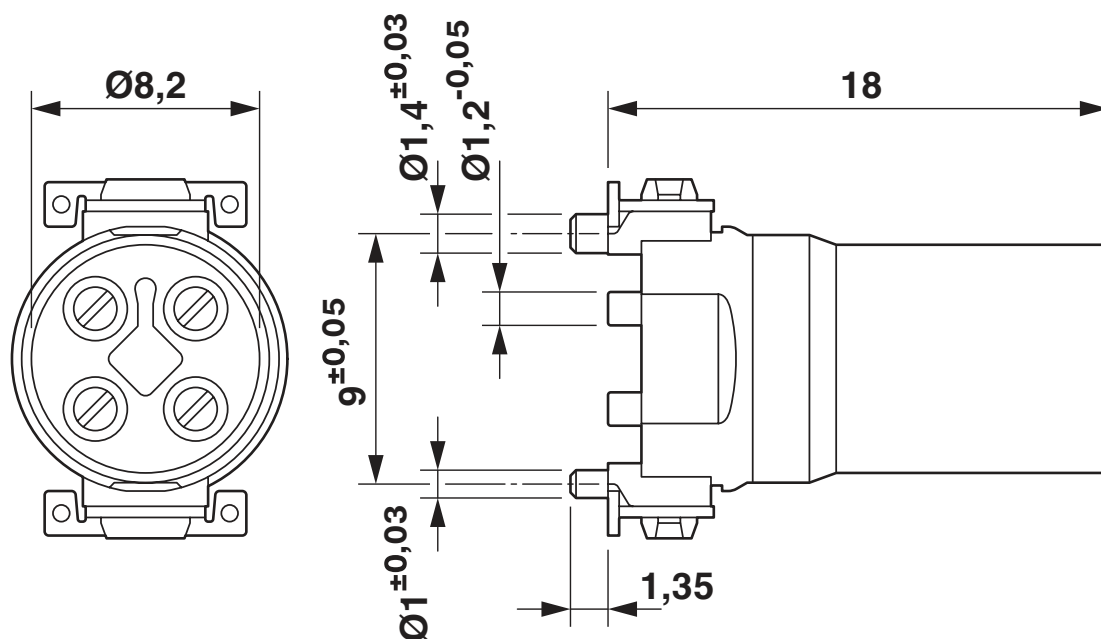
<https://www.phoenixcontact.com/us/products/1411918>

Drilling plan/solder pad geometry



Soldering pad geometry

Dimensional drawing



Dimensional drawing

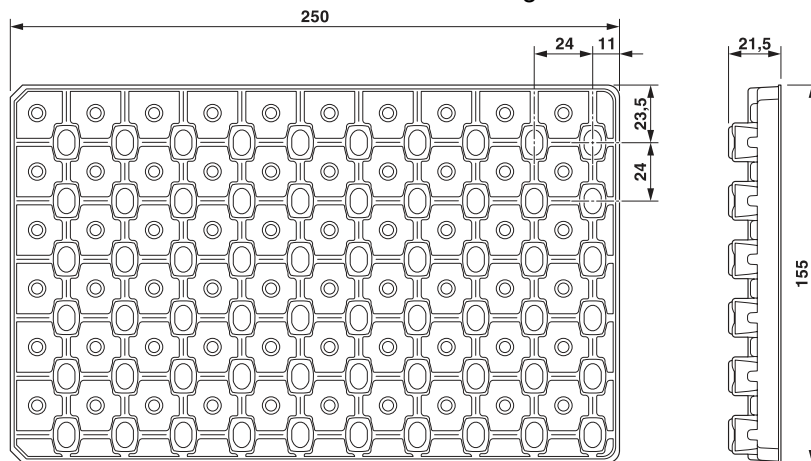
# SACC-CI-M12FST-4P SMD T - Contact carrier

1411918

<https://www.phoenixcontact.com/us/products/1411918>



Dimensional drawing



SMD tray packaging

# SACC-CI-M12FST-4P SMD T - Contact carrier





1411918


<https://www.phoenixcontact.com/us/products/1411918>

## Approvals

To download certificates, visit the product detail page: <https://www.phoenixcontact.com/us/products/1411918>

 <b>cUL Recognized</b> Approval ID: E468743-20190917				
	Nominal voltage $U_N$	Nominal current $I_N$	Cross section AWG	Cross section $\text{mm}^2$
	63 V	8 A	-	-

 <b>UL Recognized</b> Approval ID: E468743-20190917				
	Nominal voltage $U_N$	Nominal current $I_N$	Cross section AWG	Cross section $\text{mm}^2$
	63 V	10 A	-	-

 <b>EAC</b> Approval ID: B.01687	
---	--

<b>cULus Recognized</b>	
-------------------------	--

# SACC-CI-M12FST-4P SMD T - Contact carrier



1411918

<https://www.phoenixcontact.com/us/products/1411918>

## Classifications

### ECLASS

ECLASS-11.0	27440102
ECLASS-12.0	27440116
ECLASS-13.0	27440116

### ETIM

ETIM 8.0	EC002635
----------	----------

### UNSPSC

UNSPSC 21.0	39121400
-------------	----------



# SACC-CI-M12FST-4P SMD T - Contact carrier



1411918

<https://www.phoenixcontact.com/us/products/1411918>

## Environmental product compliance

REACH SVHC	Lead 7439-92-1
China RoHS	Environmentally Friendly Use Period = 50 years
	For information on hazardous substances, refer to the manufacturer's declaration available under "Downloads"

# SACC-CI-M12FST-4P SMD T - Contact carrier

1411918

<https://www.phoenixcontact.com/us/products/1411918>



## Accessories

### SACC-CI-M12FST-4P SMD-SP - Sample set

1418631

<https://www.phoenixcontact.com/us/products/1418631>



Sample set, 4-position, Socket, straight, M12, coding: T, PCB mounting, SMD

---

### SACC-BP-F-M12/M15-6-SMD - Housing screw connection

1414021

<https://www.phoenixcontact.com/us/products/1414021>



Housing screw connection, Socket, M12, Rear mounting, Alternative product in accordance with RoHS II without Exemption 6c (Pb <0.1%) item no.: 1239058

## SACC-CI-M12FST-4P SMD T - Contact carrier

1411918

<https://www.phoenixcontact.com/us/products/1411918>



## SACC-BP-F-M12/M15-6-SMD SCO - Housing screw connection

1414023

<https://www.phoenixcontact.com/us/products/1414023>



Housing screw connection, Socket, M12-SPEEDCON, Rear mounting, M15 x 1, Alternative product in accordance with RoHS II without Exemption 6c (Pb <0.1%) item no.: 1239059

---

## SACC-FP-F-M12/M14 SMD - Housing screw connection

1412079

<https://www.phoenixcontact.com/us/products/1412079>



M12 female connector, front mounting SMD with M14 screw fastening

## SACC-CI-M12FST-4P SMD T - Contact carrier

1411918

<https://www.phoenixcontact.com/us/products/1411918>



## SACC-FP-F-M12/PRESS SMD - Housing screw connection

1412081

<https://www.phoenixcontact.com/us/products/1412081>



Housing screw connection, Socket, M12, Front mounting, Alternative product in accordance with RoHS II without Exemption 6c (Pb <0.1%) item no.: 1238973

---

## SACC-BP-F-M12/SMD-0,9/1,6-9TIP - Housing screw connection

1419569

<https://www.phoenixcontact.com/us/products/1419569>



Housing screw connection, M12, Rear mounting, Alternative product in accordance with RoHS II without Exemption 6c (Pb <0.1%) item no.: 1239268

# SACC-CI-M12FST-4P SMD T - Contact carrier

1411918

<https://www.phoenixcontact.com/us/products/1411918>



## SACC-BP-F-M12/SMD-1,6/2,3-9TIP - Housing screw connection

1419570

<https://www.phoenixcontact.com/us/products/1419570>

Housing screw connection, M12, Rear mounting



---

## SACC-BP-F-M12/SMD-2,3/3,0-9TIP - Housing screw connection

1419571

<https://www.phoenixcontact.com/us/products/1419571>

Housing screw connection, M12, Rear mounting, Alternative product in accordance with RoHS II without Exemption 6c (Pb <0.1%) item no.: 1239270



# SACC-CI-M12FST-4P SMD T - Contact carrier

1411918

<https://www.phoenixcontact.com/us/products/1411918>



## SACC-BP-F-FIX/NUT-BK-SMD - Fixing sleeve

1419568

<https://www.phoenixcontact.com/us/products/1419568>



Fixing sleeve for M12 housing screw connection with tolerance-compensating function, for SMD-solderable M12 socket contact inserts.

---

## SACC-BP-F-FIX/NUT-CY-SMD - Fixing sleeve

1419565

<https://www.phoenixcontact.com/us/products/1419565>



Fixing sleeve for M12 housing screw connection with tolerance-compensating function, for SMD-solderable M12 socket contact inserts.

# SACC-CI-M12FST-4P SMD T - Contact carrier

1411918

<https://www.phoenixcontact.com/us/products/1411918>



## SACC-BP-F-FIX/NUT-GN-SMD - Fixing sleeve

1419566

<https://www.phoenixcontact.com/us/products/1419566>



Fixing sleeve for M12 housing screw connection with tolerance-compensating function, for SMD-solderable M12 socket contact inserts.

---

## SACC-BP-F-FIX/NUT-VT-SMD - Fixing sleeve

1419567

<https://www.phoenixcontact.com/us/products/1419567>



Fixing sleeve for M12 housing screw connection with tolerance-compensating function, for SMD-solderable M12 socket contact inserts.

---

Phoenix Contact 2023 © - all rights reserved  
<https://www.phoenixcontact.com>

Phoenix Contact USA  
586 Fulling Mill Road  
Middletown, PA 17057, United States  
(+717) 944-1300  
[info@phoenixcon.com](mailto:info@phoenixcon.com)